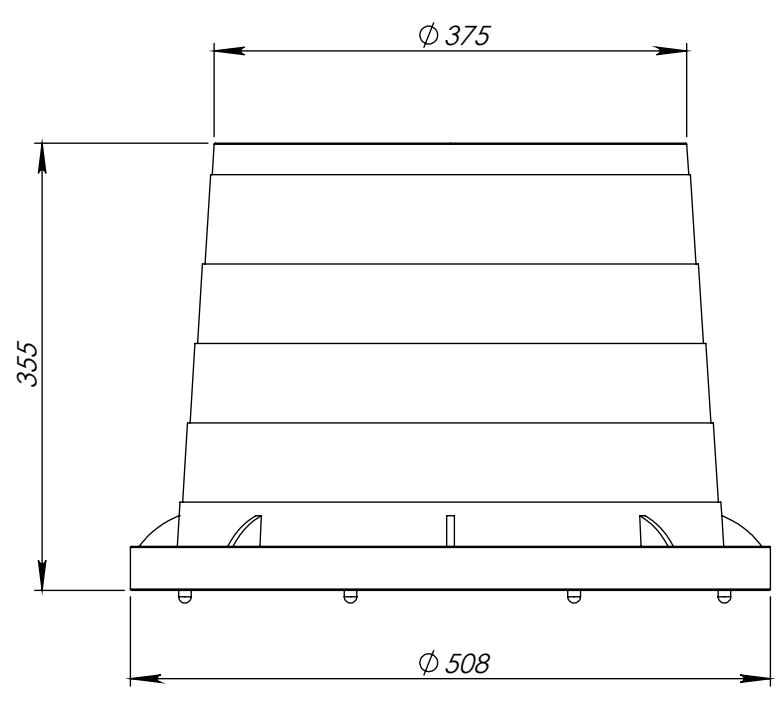
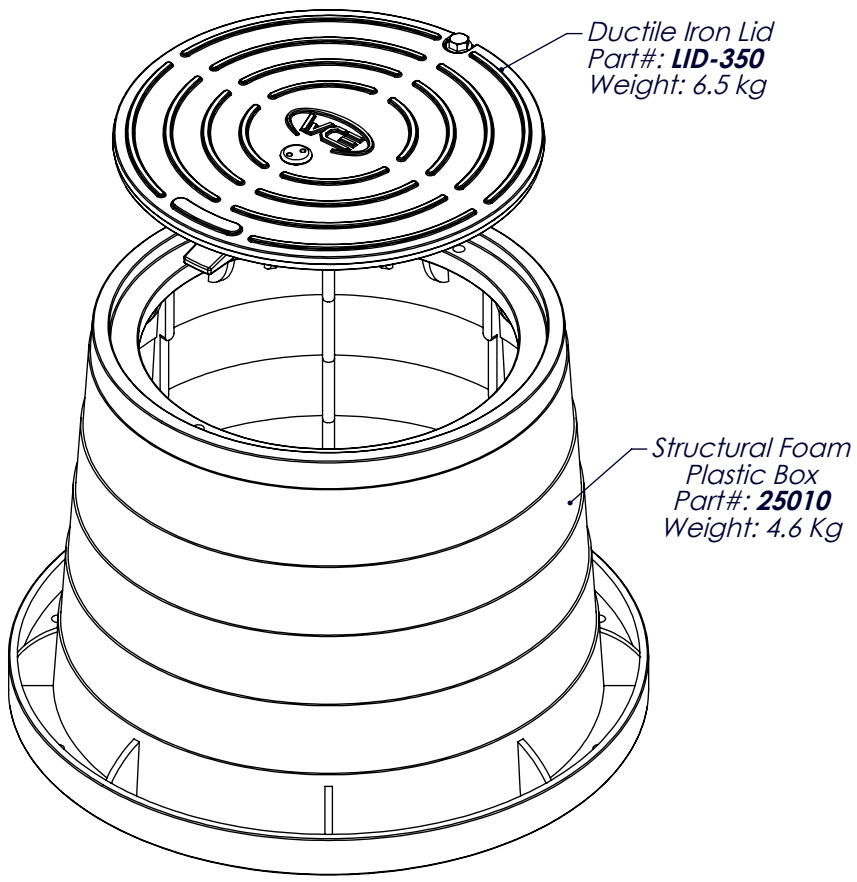


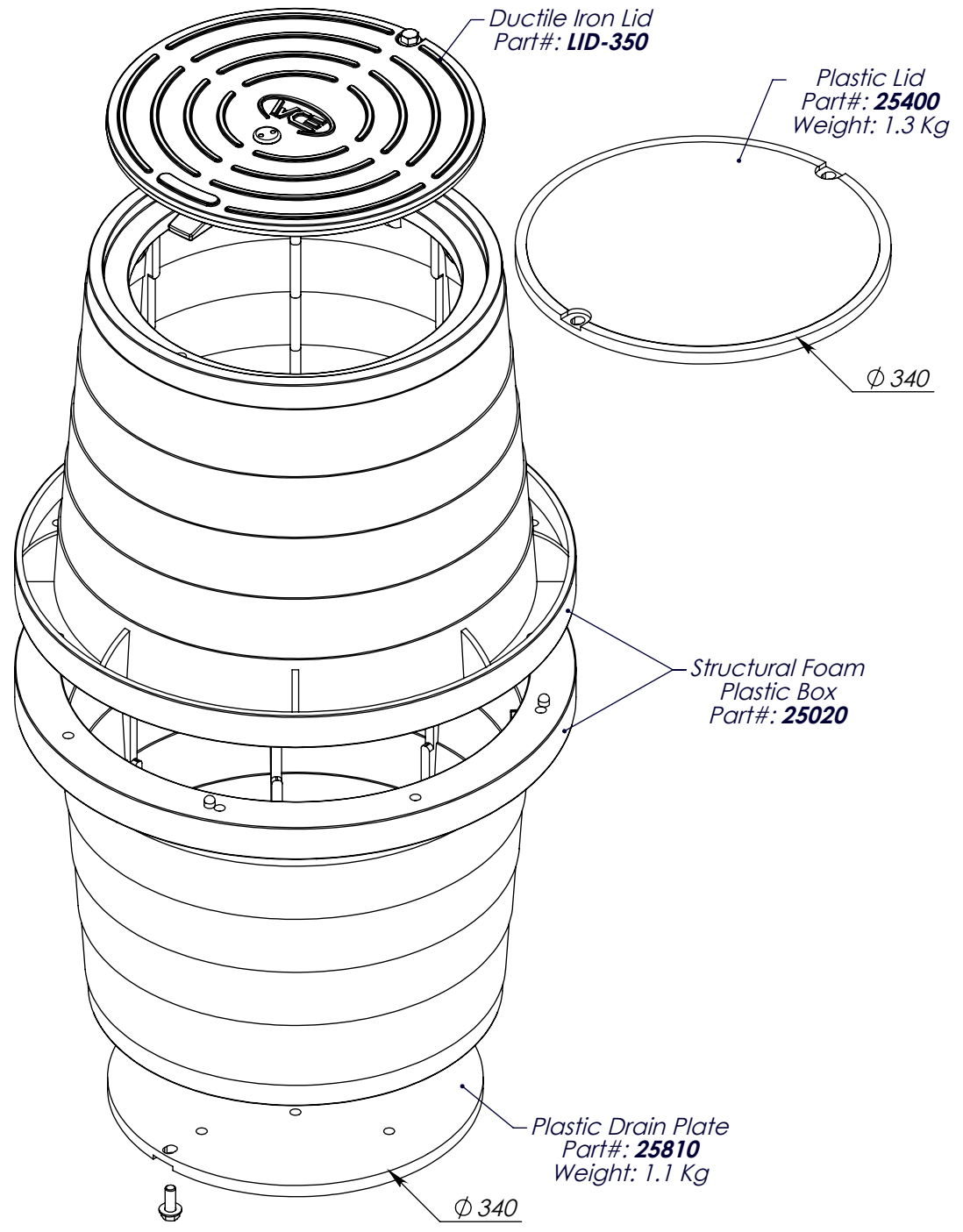
1 2 3 4 5 6

I
H
G
F
E
D
C
B
A

I
H
G
F
E
D
C
B
A



**SMALL ROUND JUNCTION BOX
STANDARD CONFIGURATION
25020
H2O Rated**



**LARGE ROUND JUNCTION BOX
DUAL - Type 10 CONFIGURATION**

DESIGNED:	ZOLTAN BANYI	PROFESSIONAL ENGINEER SEAL
DRAWN:	ZOLTAN BANYI	
CHECKED:	JOAN GIOSAN	
APPROVED:	TED BROCKMAN	
DATE:	19/09/2014	

valmont 
WEST COAST ENGINEERING
 7984 River Road, Delta, B.C. Canada V4G 1E3
 Ph.(604)946-1256 Fx.(604)946-1203
 www.valmontwce.com

PROJECT:	JUNCTION BOX SMALL - ROUND 25020	SCALE: NTS
DWG. #:	T01-JB-25020	QTY: - SHEET 1 OF 1 REV. 0

THE INFORMATION CONTAINED IN THIS DRAWING IS THE PROPERTY OF VALMONT WEST COAST ENGINEERING LTD., AND ANY INFORMATION OBTAINED FROM ITS CONTENT SHALL BE USED ONLY FOR THE SPECIFIC PURPOSE AUTHORIZED BY VALMONT WEST COAST ENGINEERING LTD.

1 2 3 4 5 6