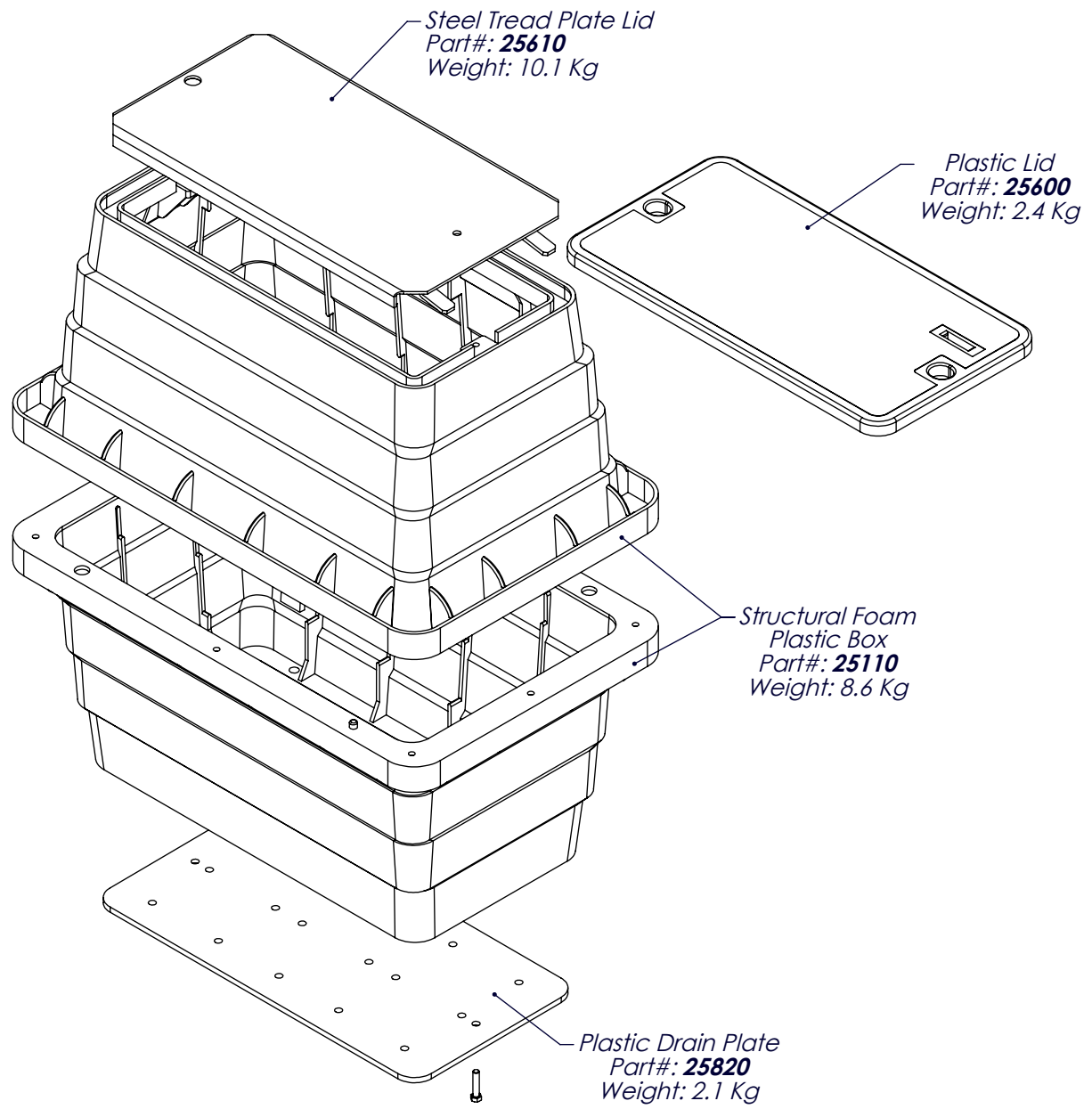
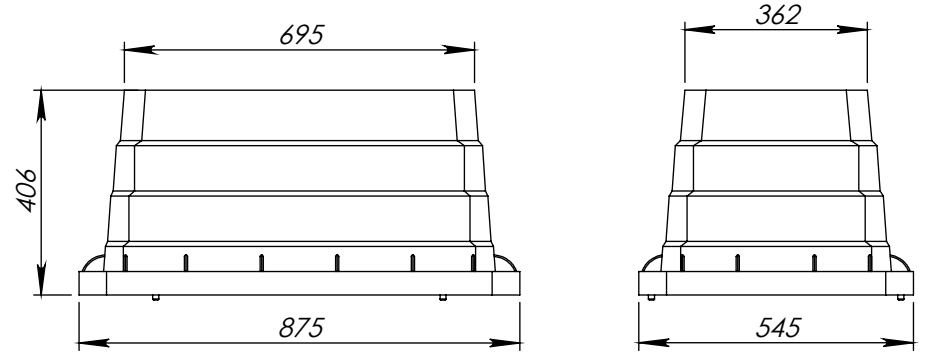


MEDIUM RECTANGULAR JUNCTION BOX
STANDARD CONFIGURATION
 # 25110



MEDIUM RECTANGULAR JUNCTION BOX
DUAL CONFIGURATION
 # 25110

DESIGNED: ZOLTAN BANYI
 DRAWN: ZOLTAN BANYI
 CHECKED: IOAN GIOSAN
 APPROVED: TED BROCKMAN

PROFESSIONAL ENGINEER SEAL

valmont 

WEST COAST ENGINEERING
 7984 River Road, Delta, B.C. Canada V4G 1E3
 Ph.(604)946-1256 Fx.(604)946-1203
 www.valmontwce.com

PROJECT:	JUNCTION BOX MEDIUM - RECTANGULAR 25110	SCALE:	NTS
DWG. #:	T01-JB-25110	QTY:	-
		SHEET	1 OF 1
		REV.	0