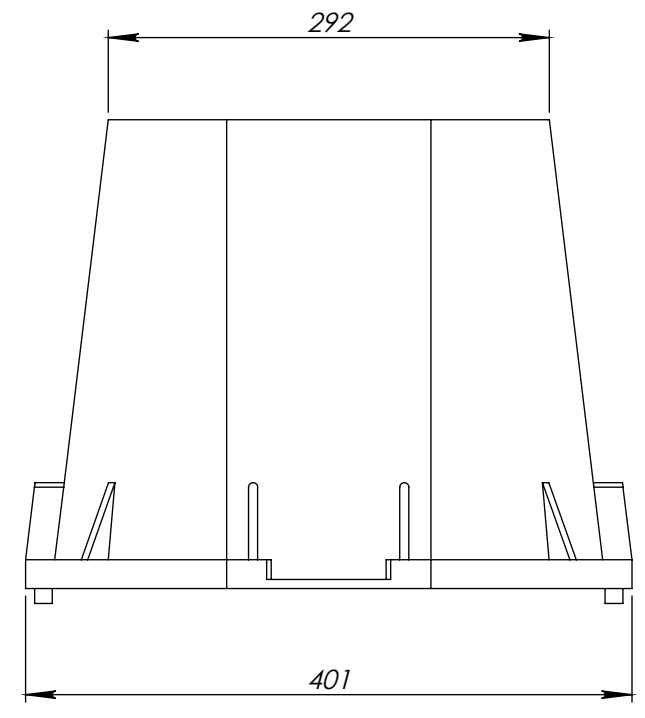
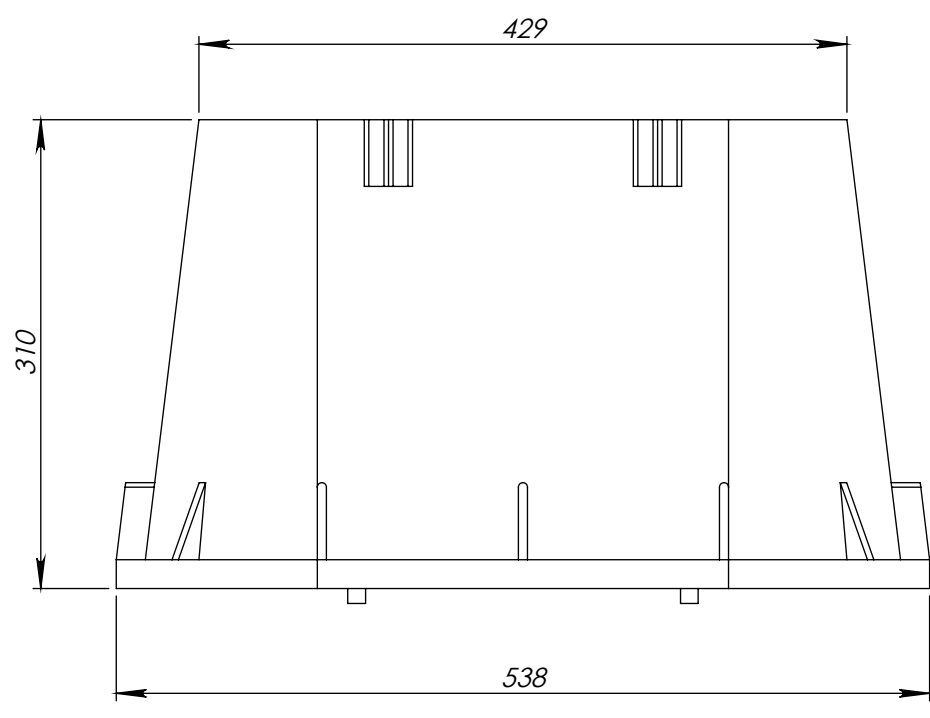


SMALL RECTANGULAR JUNCTION BOX
STANDARD CONFIGURATION
 # 25120



DESIGNED: ZOLTAN BANYI	DRAWN: ZOLTAN BANYI	CHECKED: JOAN GIOSAN	APPROVED: TED BROCKMAN	PROFESSIONAL ENGINEER SEAL
				DATE: 23.09.2014

valmont 
 WEST COAST ENGINEERING
 7984 River Road, Delta, B.C. Canada V4G 1E3
 Ph.(604)946-1256 Fx.(604)946-1203
 www.valmontwce.com

PROJECT:	JUNCTION BOX SMALL - RECTANGULAR 25120	SCALE: NTS
DWG. #:	T01-JB-25120	QTY: - SHEET 1 OF 1 REV. 0

THE INFORMATION CONTAINED IN THIS DRAWING IS THE PROPERTY OF VALMONT WEST COAST ENGINEERING LTD., AND ANY INFORMATION OBTAINED FROM ITS CONTENT SHALL BE USED ONLY FOR THE SPECIFIC PURPOSE AUTHORIZED BY VALMONT WEST COAST ENGINEERING LTD.,