

Job Name: _____	Client Name: _____
Job Location - City: _____ State: _____	Created By: _____ Date: _____
Product: DS330 Quote: _____	Customer Approval: _____ Date: _____

## SPECIFICATIONS

**Pole Shaft** - The pole shaft is fabricated from hot rolled welded steel tubing of one-piece construction with a minimum yield strength of 55 KSI.

**Pole Top** - A removable pole cap is provided for poles receiving drilling patterns for side-mount luminaire arm assemblies. For top mount luminaire and/or bracket consult the factory. Consult the luminaire manufacturer for correct tenon size or drill pattern. Other pole top options include pole cap only (PC) or plain top (PL) which is typical when the pole top diameter matches the necessary slip fit dimensions.

**Handhole** - A reinforced handhole with grounding provision is provided at 1'-6" from the base end of the pole assembly. Each handhole includes an easy to install, self-contained Swing Latch handhole cover assembly. U.S. Patent Swing Latch cover is fabricated from durable polycarbonate/ABS blend plastic. All pole assemblies are provided with a 2.50" x 5.00" rectangular handhole. Handhole dimensions are nominal.

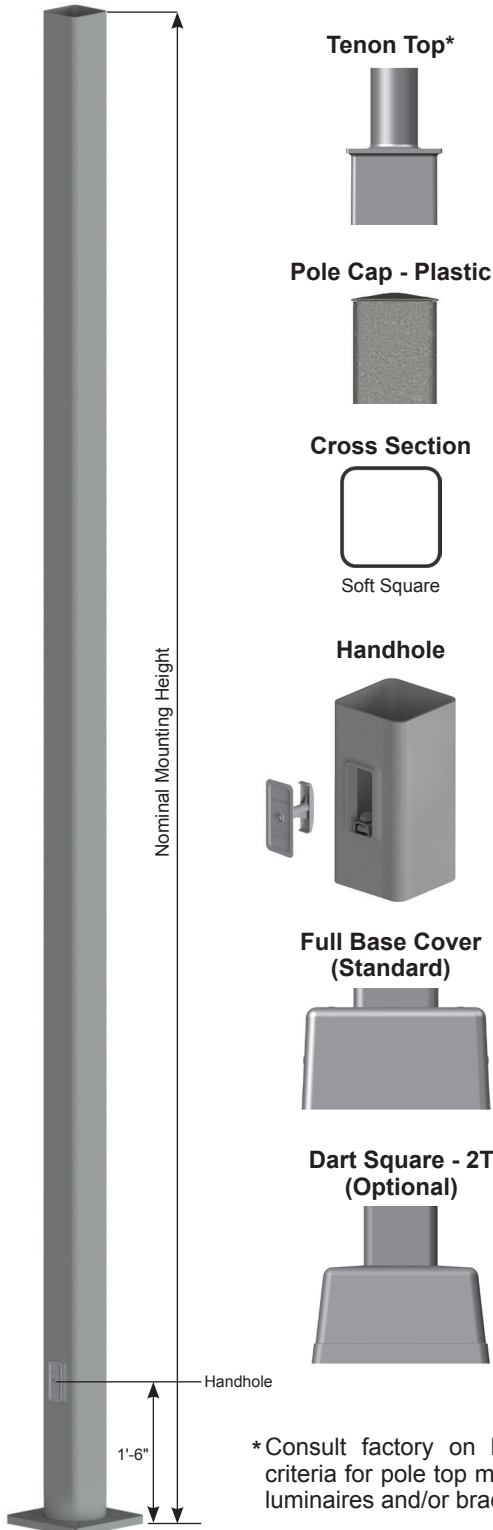
**Base Cover** - A two-piece full base cover fabricated from ABS plastic is provided with each pole assembly. Additional base cover options, including the dart square (2T) cast aluminum cover, are available upon request.

**Anchor Bolts** - Anchor bolts conform to ASTM F1554 Grade 55 and are provided with two hex nuts and two flat washers. Bolts have an "L" bend on one end and are galvanized a minimum of 12" on the threaded end.

**Hardware** - All structural fasteners are galvanized high strength carbon steel. All non-structural fasteners are galvanized or zinc-plated carbon steel or stainless steel.

**Finish** - Standard finishes are either Galvanized (GV) or Finish Painted (FP). Additional finish options including Finish Paint over Galvanizing (FPGV) or any of the V-PRO™ Finish Coating Systems are available upon request. See the product ordering code for color options.

**Design Criteria** - Please reference Design Criteria Specification for appropriate design conditions.



\*Consult factory on loading criteria for pole top mounted luminaires and/or brackets.

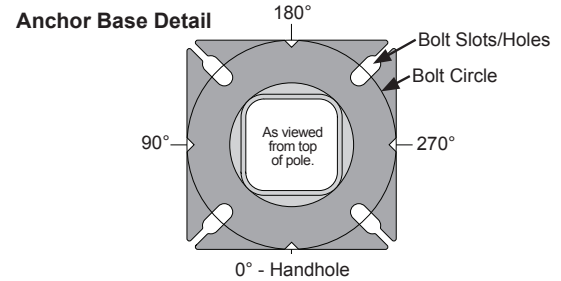
# DS330

## Fatigue Resistant Soft Square Steel Post

Job Name: _____	Client Name: _____
Job Location - City: _____ State: _____	Created By: _____ Date: _____
Product: DS330 Quote: _____	Customer Approval: _____ Date: _____

### ANCHORAGE DATA

POLE		BASE PLATE				ANCHOR BOLTS			
POLE BASE SQUARE (IN)	WALL THK (GA)	BOLT CIRCLE		SQUARE (IN)	THK (IN)	DIA x LENGTH x HOOK (IN)	PROJECTION (IN)	± (IN)	
		DIA (IN)	± (IN)						
4.00	11	8.50	0.50	8.25	0.750	0.75 x 17.00 x 3.00	3.50	0.25	
4.00	7	8.50	0.50	8.25	0.875	0.75 x 17.00 x 3.00	3.63	0.25	
5.00	11	11.00	1.00	11.00	1.000	0.75 x 17.00 x 3.00	3.75	0.25	
5.00	7	11.00	1.00	11.00	1.000	0.75 x 17.00 x 3.00	3.75	0.25	
6.00	7	12.00	1.00	12.50	1.000	1.00 x 36.00 x 4.00	4.25	0.25	



### DESIGNATION, LOAD AND DIMENSIONAL DATA

NOMINAL MOUNTING HEIGHT	DESIGN INFORMATION						POLE DIMENSIONS <sup>3</sup>				DESIGNATION
	80 MPH w/1.3 GUST		90 MPH w/1.3 GUST		100 MPH w/1.3 GUST		SHAFT BASE SQUARE <sup>3</sup> (IN)	SHAFT TOP SQUARE (IN)	WALL THK (GA)	STRUCTURE WEIGHT <sup>2</sup> (LBS)	
	MAX EPA <sup>1</sup> (SQFT)	MAX WEIGHT <sup>1</sup> (LBS)	MAX EPA <sup>1</sup> (SQFT)	MAX WEIGHT <sup>1</sup> (LBS)	MAX EPA <sup>1</sup> (SQFT)	MAX WEIGHT <sup>1</sup> (LBS)					
10'-0"	30.6	765	23.8	595	18.9	473	4.00	4.00	11	75	400Q100
12'-0"	24.4	610	18.8	470	14.8	370	4.00	4.00	11	90	400Q120
14'-0"	19.9	498	15.1	378	11.7	293	4.00	4.00	11	100	400Q140
16'-0"	15.9	398	11.8	295	8.9	223	4.00	4.00	11	115	400Q160
18'-0"	12.6	315	9.2	230	6.7	168	4.00	4.00	11	125	400Q180
20'-0"	9.6	240	6.7	167	4.5	150	4.00	4.00	11	140	400Q200
	17.7	443	12.7	343	9.4	235	5.00	5.00	11	185	500Q200
	28.1	703	21.4	535	16.2	405	5.00	5.00	7	265	500W200
25'-0"	4.8	150	2.6	100	1.0	50	4.00	4.00	11	170	400Q250
	10.8	270	7.7	188	5.4	135	4.00	4.00	7	245	400W250
	9.8	245	6.3	157	3.7	150	5.00	5.00	11	225	500Q250
	18.5	463	13.3	333	9.5	238	5.00	5.00	7	360	500W250
30'-0"	6.7	168	4.4	110	2.6	65	4.00	4.00	7	291	400W300
	4.7	150	2.0	50	N/A	N/A	5.00	5.00	11	265	500Q300
	10.7	267	6.7	167	3.9	100	5.00	5.00	7	380	500W300
	19.0	475	13.2	330	9.0	225	6.00	6.00	7	520	600W300
35'-0"	5.9	150	2.5	100	N/A	N/A	5.00	5.00	7	440	500W350
	12.4	310	7.6	190	4.2	105	6.00	6.00	7	540	600W350
40'-0"	7.2	180	3.0	75	N/A	N/A	6.00	6.00	7	605	600W400

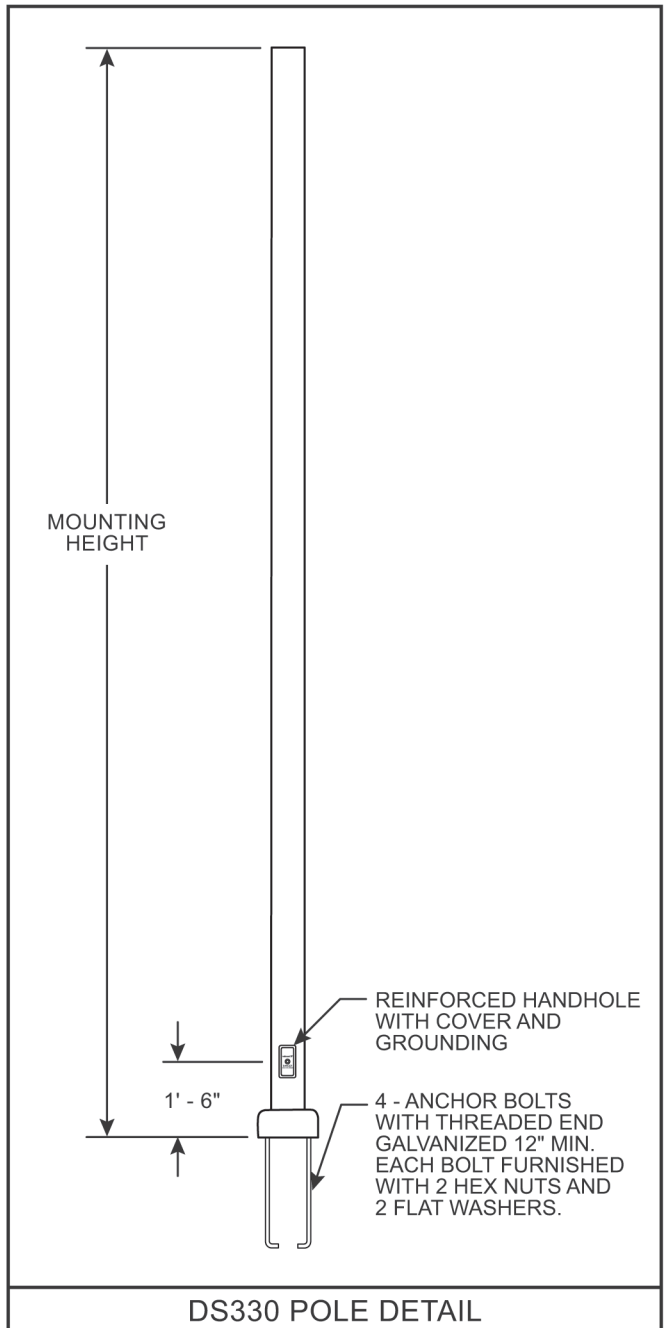
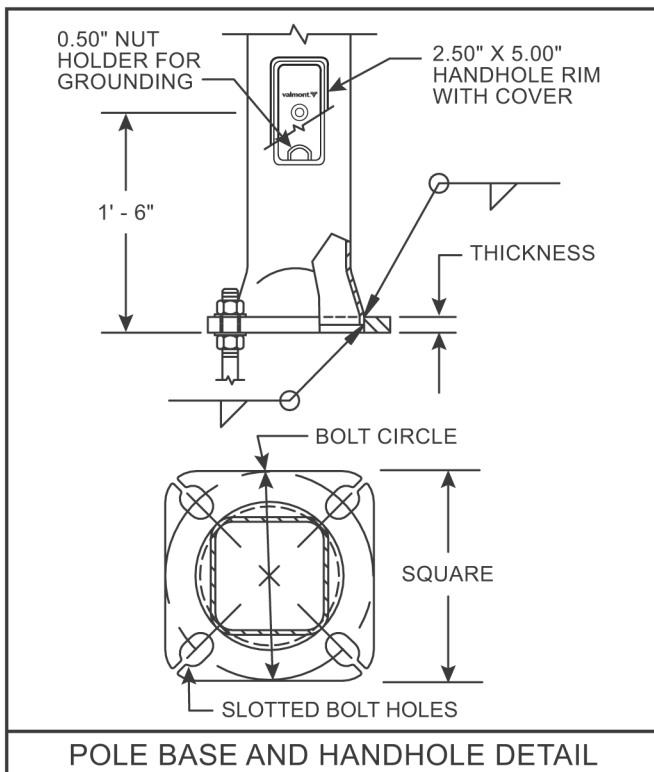
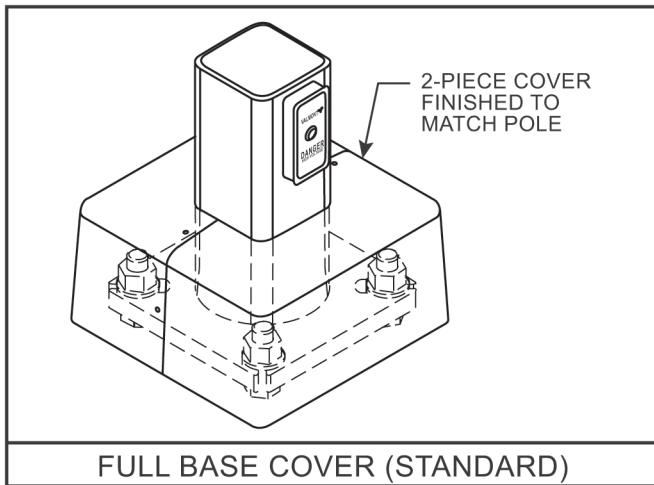
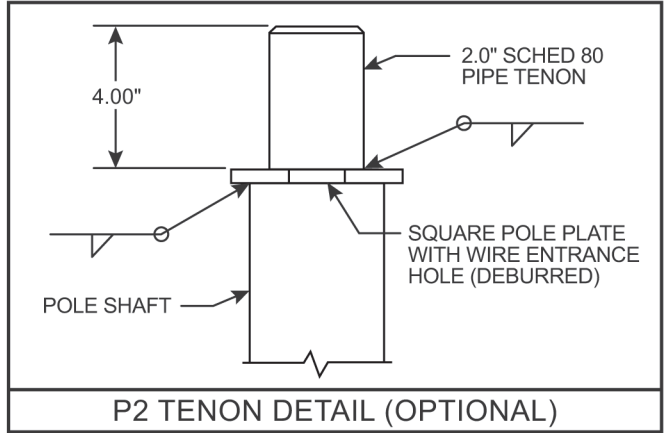
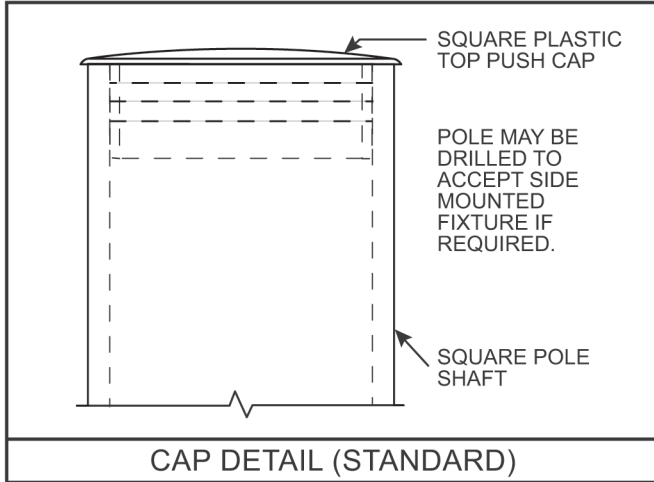
- Maximum EPA (Effective Projected Area) and weight values are based on side mounted fixtures only. Consult factory on loading criteria for pole mounted luminaires and/or brackets. Variations from sizes above are available upon inquiry at the factory. Satisfactory performance of poles is dependent upon the pole being properly attached to a supporting foundation of adequate design.
- Structure weight is a nominal value which includes the pole shaft and base plate only.
- Belled-bottom will have reduced thickness due to the cold-working process. However, the belled-bottom meets or exceeds the structural capacity of the original square section. In addition, the rounded section provides better fatigue resistance.

### PRODUCT ORDERING CODES

MODEL	DESIGNATION	FIXTURE MOUNTING	FINISH SYSTEM	STANDARD COLOR OPTIONS	BASE COVER	ANCHOR BOLTS	SUPPLEMENTAL INFO
DS330	Select Correct Designation from the Load and Dimensional Data Chart.	<b>Drill Mounting (See Orientation)</b> D1 = (1) Drillings @ 270° D2 = (2) Drillings @ 90° & 270° D4 = (4) Drillings @ 0°, 90°, 180°, & 270° D5 = (2) Drillings @ 180° & 270° D6 = (3) Drillings @ 90°, 180°, & 270° <b>Tenon Mounting</b> P2 = 2.38" OD x 4" tenon P4 = 4.00" OD x 6" tenon P5 = 2.88" OD x 4" tenon P6 = 2.88" OD x 5" tenon P7 = 2.38" OD x 5" tenon P9 = Special Size (Specify) <b>Other Options</b> PC = Pole Cap PL = Plain Top (No Cap)	GV = Galvanized FP = Finish Painted ----- FPGV = Finish Paint over Galvanizing VP30 = V-PRO™ 30 System VP32 = V-PRO™ 32 System VP53 = V-PRO™ 53 System VP54 = V-PRO™ 54 System VP57 = V-PRO™ 57 System VP100 = V-PRO™ 100 System VP105 = V-PRO™ 105 System	GV = Galvanized BK = Black DB = Dark Bronze MB = Medium Bronze WH = White LG = Light Gray CB = Bronze DG = Dark Green ST = Sandstone HTG = Hunter Green SG = Slate Gray SL = Silver SC = Special Color (Specify)	FBC = Full Base Cover ----- 2T = Square Dart Cover	AB = With Anchor Bolts LAB = Without Anchor Bolts	

SPC7207 12/17 valmontstructures.com carries the most current spec information and supersedes these guidelines.

# DS330 - Fatigue Resistant Square Non-Tapered Steel Pole



SPC7207 12/17 valmontstructures.com carries the most current spec information and supersedes these guidelines.