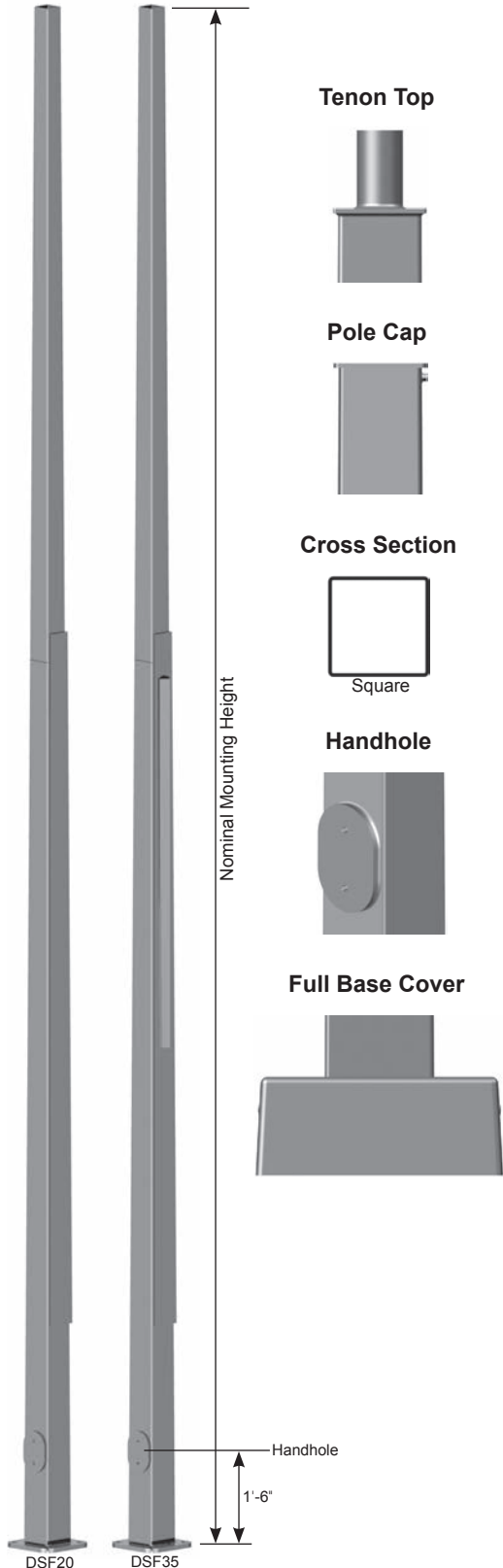


Job Name: _____	Client Name: _____
Job Location - City: _____ State: _____	Created By: _____ Date: _____
Product: _____ Quote: _____	Customer Approval: _____ Date: _____



SPECIFICATIONS

Pole - The pole shaft conforms to ASTM A595 Grade A or A572 Grade 55 with a constant linear taper of 0.11 in/ft.

Pole Top - Pole is provided with either a tenon top or drilled for a fixture mounting. A removable pole cap is provided for drilled poles. Consult the luminaire manufacturer for correct tenon size or drill pattern. Other pole top options include pole cap only (PC) or plain top (PL) which is typical when the pole top diameter matches the necessary slip fit dimensions.

Hinge - The internal hinge includes a stainless steel pin. A flexible guide is provided for wiring protection through the hinge area.

Shroud - The shroud is fabricated from weldable grade hot rolled commercial quality carbon steel with a minimum yield strength of 45,000 psi. It is a one-piece formed channel which conforms to the pole shaft taper. The shroud is secured by a threaded stud and nut with provisions for a padlock to prevent accidental or unauthorized lowering.

Winch - A removable winch is available for raising and lowering the pole.

Handhole - A reinforced handhole with grounding provision is provided at 1'-6" from the base end of the pole assembly. Each handhole includes a cover and the cover attachment hardware. Poles with a 5.25" or 6.00" base square are supplied with a 3" X 5" rectangular handhole. All other pole assemblies are provided with a 4" X 6.5" ovalized handhole. Handhole dimensions are nominal.

Full Base Cover - Optional two-piece full base cover is fabricated from ABS plastic. Valmont reserves the right to provide a two-piece steel full base cover on some applications depending upon the finish requirement and/or pole base square.

Anchor Bolts - Anchor bolts conform to ASTM F1554 Grade 55 and are provided with two hex nuts and two flat washers. Bolts have an "L" bend on one end and are galvanized a minimum of 12" on the threaded end.

Hardware - All structural fasteners are galvanized high strength carbon steel. All non-structural fasteners are galvanized or zinc-plated carbon steel or stainless steel.

Finish - Standard finish is Finish Painted (FP). Additional finish options including V-PRO™ 30, V-PRO™ 53 or V-PRO™ 100 are available upon request. See the product ordering code for color options.

Design Criteria - Please reference Design Criteria Specification for appropriate design conditions.

HINGED STEEL DSF20 & DSF35 Internal

Job Name: _____	Client Name: _____
Job Location - City: _____ State: _____	Created By: _____ Date: _____
Product: _____ Quote: _____	Customer Approval: _____ Date: _____

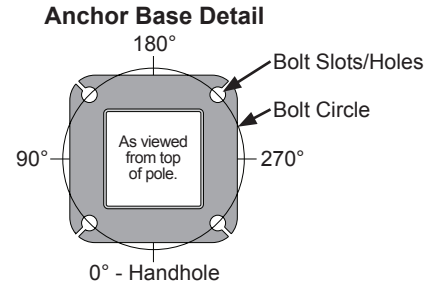
DESIGNATION, LOAD AND DIMENSIONAL DATA

DESIGN INFORMATION							POLE DIMENSIONS					DESIGNATION
NOMINAL MOUNTING HEIGHT	80 MPH w/1.3 GUST		90 MPH w/1.3 GUST		100 MPH w/1.3 GUST		BASE OD (IN)	TOP OD (IN)	WALL THK (GA)	STRUCTURE WEIGHT ² (LBS)	OPERATIONAL RADIUS	
	MAX LUMINAIRE EPA ¹ (SQFT)	MAX LUMINAIRE WEIGHT ¹ (LBS)	MAX LUMINAIRE EPA ¹ (SQFT)	MAX LUMINAIRE WEIGHT ¹ (LBS)	MAX LUMINAIRE EPA ¹ (SQFT)	MAX LUMINAIRE WEIGHT ¹ (LBS)						
DSF20												
20'-0"	17.8	200	13.4	200	10.2	150	5.25	3.05	11	160	9'-3"	525A200
25'-0"	7.1	160	4.8	160	3.1	160	6.00	3.25	11	355	10'-8"	600A250
30'-0"	12.4	200	8.3	150	5.2	100	6.41	3.11	11	430	14'-1"	641A300
DSF35												
35'-0"	22.0	300	16.3	250	11.8	175	7.13	3.28	7	700	15'-9"	713E350
39'-0"	20.7	300	14.5	250	9.9	200	7.88	3.62	7	820	17'-0"	788E389

- Maximum EPA (Effective Projected Area) and weight values are based on top mounted luminaires and/or brackets having a centroid 2'-6" above the Nominal Mounting Height. Variations from sizes above are available upon inquiry at the factory. Satisfactory performance of poles is dependent upon the pole being properly attached to a supporting foundation of adequate design.
- Structure Weight is a nominal value which includes the pole shaft and base plate only.
- DSF35 designs utilize two shroud stiffener support angles.
- CAUTION: To prevent damage to the pole, the winch cable must be kept taut when raising or lowering the pole.
- CAUTION: To properly operate the hinge mechanism, a minimum pole top load of 50 lbs. is required on DSF20 designs and a minimum load of 75 lbs. is required on DSF35 designs.

ANCHORAGE DATA

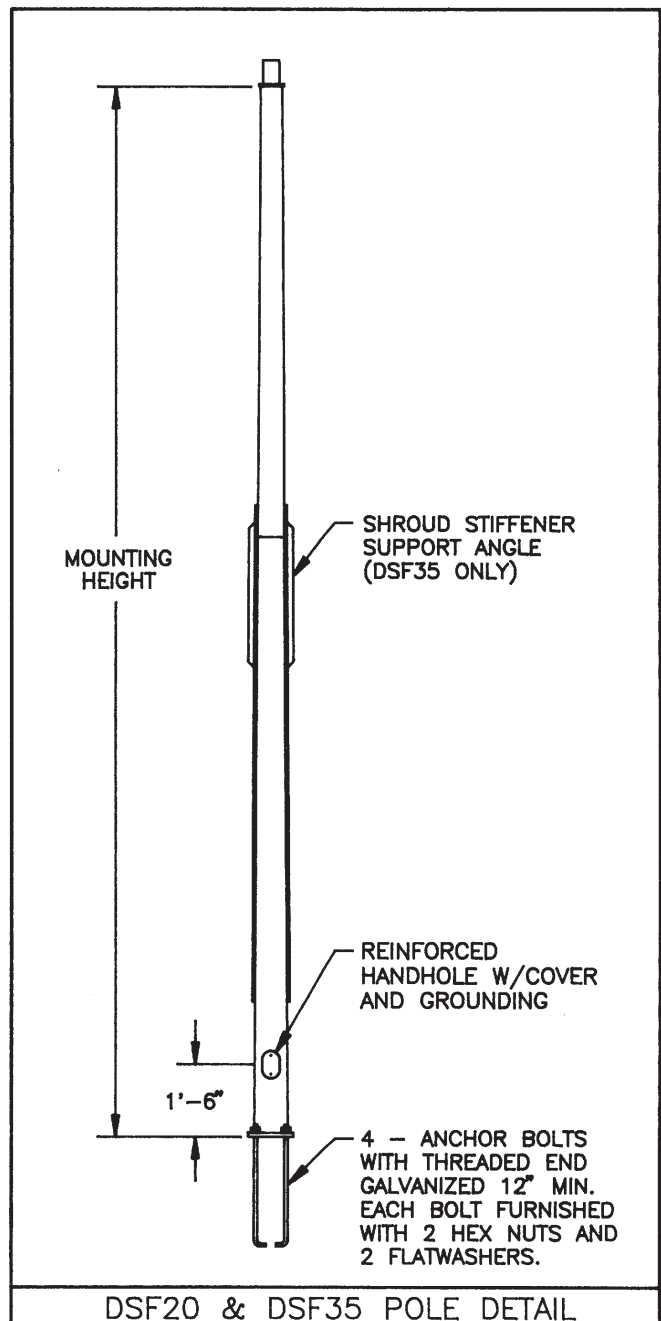
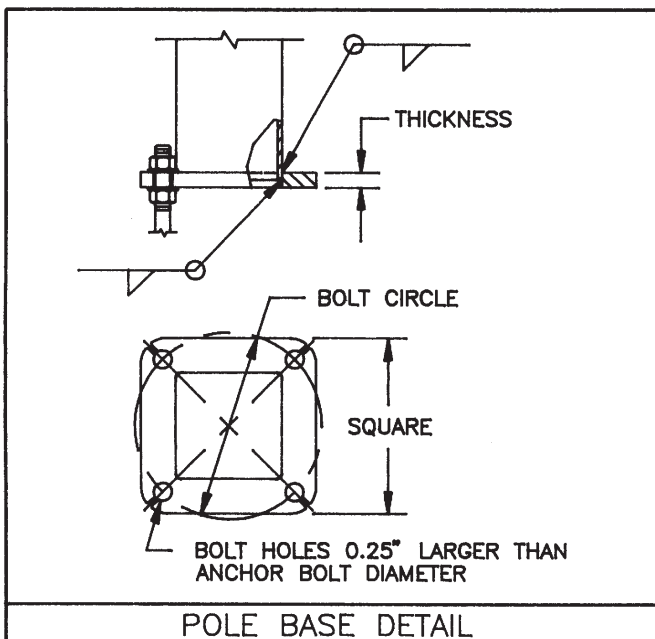
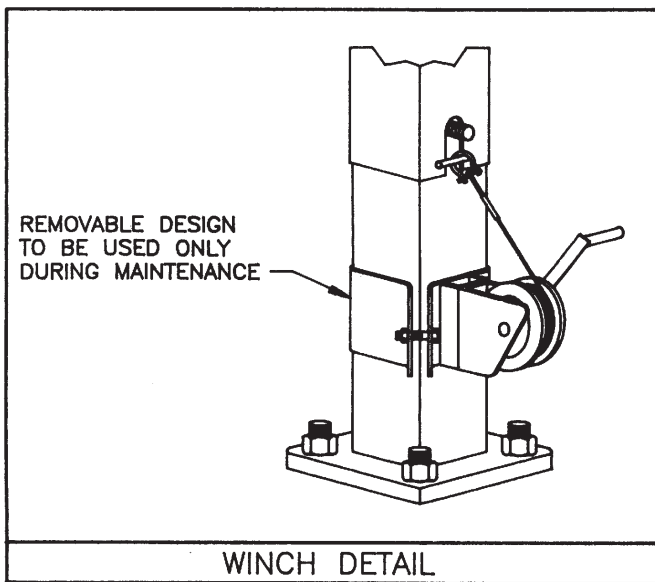
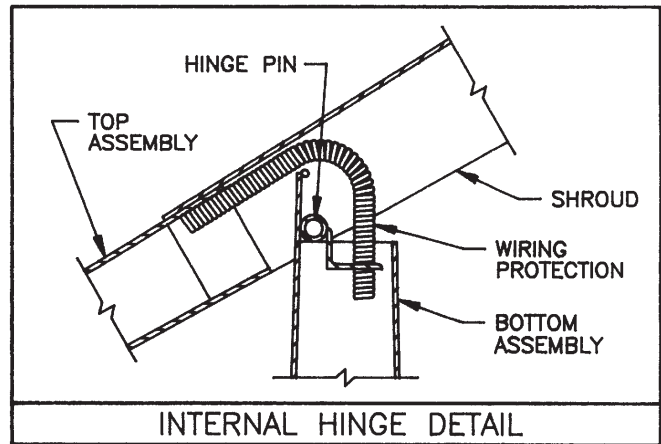
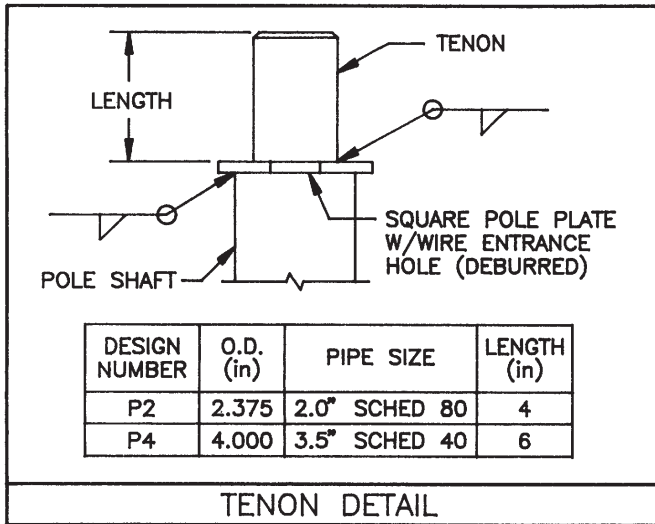
POLE BASE SQUARE (IN)	POLE DIMENSIONS AT BASE				ANCHOR BOLTS		
	BOLT CIRCLE		SQUARE (IN)	THK (IN)	DIA x LENGTH x HOOK (IN)	PROJECTION (IN)	± (IN)
DIA (IN)	± (IN)						
5.25	10.75	N/A	10.75	0.750	1.00 x 36.00 x 4.00	4.00	0.25
6.00	12.00	N/A	11.50	0.875	1.00 x 36.00 x 4.00	4.13	0.25
6.41	12.50	N/A	11.88	0.875	1.00 x 36.00 x 4.00	4.13	0.25
7.13	13.50	N/A	12.63	1.250	1.00 x 36.00 x 4.00	4.50	0.25
7.88	14.50	N/A	13.38	1.250	1.00 x 36.00 x 4.00	4.50	0.25



PRODUCT ORDERING CODES

MODEL	DESIGNATION	FIXTURE MOUNTING	FINISH SYSTEM	STANDARD COLOR OPTIONS	BASE COVER	ANCHOR BOLTS	SUPPLEMENTAL INFO												
DSF20 DSF35	Select Correct Designation from the Load and Dimensional Data Chart.	Drill Mounting (See Orientation) D1 = (1) Drilling @ 270° D2 = (2) Drillings @ 90° & 270° D4 = (4) Drillings @ 0°, 90°, 180°, & 270° D5 = (2) Drillings @ 180° & 270° D6 = (3) Drillings @ 90°, 180°, & 270° Tenon Mounting P2 = 2.38" OD x 4" tenon P4 = 4.00" OD x 6" tenon P5 = 2.88" OD x 4" tenon P6 = 2.88" OD x 5" tenon P7 = 2.38" OD x 5" tenon P9 = Special Size (Specify) Other Options PC = Pole Cap PL = Plain Top (No Cap)	FP = Finish Painted ----OPTIONAL---- VP30 = V-PRO™ 30 System VP53 = V-PRO™ 53 System VP100 = V-PRO™ 100 System	BK = Black DB = Dark Bronze MB = Medium Bronze WH = White LG = Light Gray CB = Bronze DG = Dark Green ST = Sandstone HG = Hunter Green SG = Slate Gray SL = Silver SC = Special Color (Specify)	----OPTIONAL---- FBC = Full Base Cover	AB = With Anchor Bolts LAB = Without Anchor Bolts	See Accessories at valmontstructures.com (Please Specify) Winch is Optional: Valmont <table style="width:100%; border-collapse: collapse;"> <tr> <th>Model Number</th> <th>Part Numbers</th> </tr> <tr> <td>525A200</td> <td>2136</td> </tr> <tr> <td>600A250</td> <td>2136</td> </tr> <tr> <td>641A300</td> <td>2136</td> </tr> <tr> <td>713E350</td> <td>2135</td> </tr> <tr> <td>788E389</td> <td>2135</td> </tr> </table>	Model Number	Part Numbers	525A200	2136	600A250	2136	641A300	2136	713E350	2135	788E389	2135
Model Number	Part Numbers																		
525A200	2136																		
600A250	2136																		
641A300	2136																		
713E350	2135																		
788E389	2135																		

DSF20 & DSF35 Internal Hinge



SPC7363 02/17 valmontstructures.com carries the most current spec information and supersedes these guidelines.