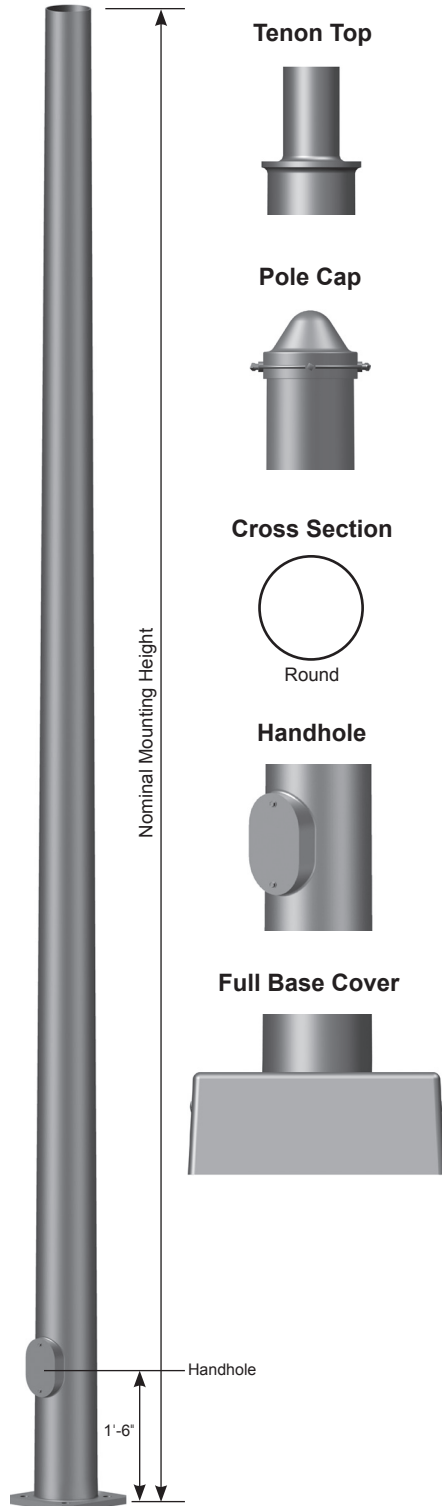


Job Name: _____	Client Name: _____
Job Location - City: _____ State: _____	Created By: _____ Date: _____
Product: _____ Quote: _____	Customer Approval: _____ Date: _____

**SPECIFICATIONS**



**Pole Shaft** - The pole shaft conforms to ASTM A595 Grade A or A572 Grade 55 with a constant linear taper of 0.14 in/ft. Pole 50' and below are provided as a one-piece unit. Poles greater than 50' are provided as a two-piece field assembled unit.

**Pole Top** - Pole is provided with either a tenon top or drilled for a fixture mounting. A removable pole cap is provided for drilled poles. Consult the luminaire manufacturer for correct tenon size or drill pattern. Other pole top options include pole cap only (PC) or plain top (PL) which is typical when the pole top diameter matches the necessary slip fit dimensions.

**Handhole** - A reinforced handhole with grounding provision is provided at 1'-6" from the base end of the pole assembly. Each handhole includes a cover and the cover attachment hardware. All pole assemblies are provided with a 4" X 6.5" ovalized handhole. Handhole dimensions are nominal.

**Base Cover** - A two-piece steel full base cover is provided with each pole assembly. Nut covers can be substituted on most models. Additional base cover options are available upon request.

**Anchor Bolts** - Anchor bolts conform to ASTM F1554 Grade 55 and are provided with two hex nuts and two flat washers. Bolts have an "L" bend on one end and are galvanized a minimum of 12" on the threaded end.

**Hardware** - All structural fasteners are galvanized high strength carbon steel. All non-structural fasteners are galvanized or zinc-plated carbon steel or stainless steel.

**Finish** - Standard finishes are Galvanized (GV) or Finish Painted (FP). Additional finish options, including Finish Paint over Galvanizing (FPGV) or any of the V-PRO™ Finish Coating Systems are available upon request. See the product ordering code for color options.

**Design Criteria** - Please reference Design Criteria Specification for appropriate design conditions.

# ROUND TAPERED STEEL DS210 Heavy Duty

Job Name: _____	Client Name: _____
Job Location - City: _____ State: _____	Created By: _____ Date: _____
Product: _____ Quote: _____	Customer Approval: _____ Date: _____

## DESIGNATION, LOAD AND DIMENSIONAL DATA

NOMINAL MOUNTING HEIGHT	DESIGN INFORMATION						POLE DIMENSIONS				DESIGNATION
	80 MPH w/1.3 GUST		90 MPH w/1.3 GUST		100 MPH w/1.3 GUST		BASE OD (IN)	TOP OD (IN)	WALL THK (GA)	STRUCTURE WEIGHT <sup>2</sup> (LBS)	
	MAX EPA <sup>1</sup> (SQFT)	MAX WEIGHT <sup>1</sup> (LBS)	MAX EPA <sup>1</sup> (SQFT)	MAX WEIGHT <sup>1</sup> (LBS)	MAX EPA <sup>1</sup> (SQFT)	MAX WEIGHT <sup>1</sup> (LBS)					
45'-0"	35.7	893	28.0	700	22.3	558	11.00	4.70	7	780	E00E450
50'-0"	29.9	748	23.5	588	18.6	465	11.00	4.00	7	812	E00E500
	50.4	1260	39.7	992	31.4	785	13.00	6.00	7	1020	H00E500
	69.2	1730	55.0	1375	44.2	1105	13.00	6.00	3	1335	H00J500
55'-0"	21.6	540	17.7	442	14.7	367	11.00	3.58	7 & 11	890	E00E550
	32.2	805	25.9	647	21.1	527	12.00	4.55	7 & 11	975	W00E550
	43.8	1095	35.0	875	28.6	715	12.50	5.16	5 & 7	1225	W504550
60'-0"	25.9	647	20.7	517	16.8	420	12.00	4.01	7 & 7	1060	W00E600
	30.1	752	24.5	612	20.2	505	13.00	4.83	7 & 11	1075	H00E600
	34.0	850	27.6	690	22.6	565	12.50	4.46	5 & 7	1275	W504600
65'-0"	27.3	682	22.0	550	17.9	447	13.00	4.25	7 & 7	1200	H00E650
	30.8	770	24.8	620	20.4	510	13.00	4.25	5 & 7	1400	H004650
70'-0"	20.6	515	16.7	417	13.7	342	13.00	3.55	7 & 7	1270	H00E700
	23.6	590	19.2	480	15.8	395	13.00	3.55	5 & 7	1440	H004700

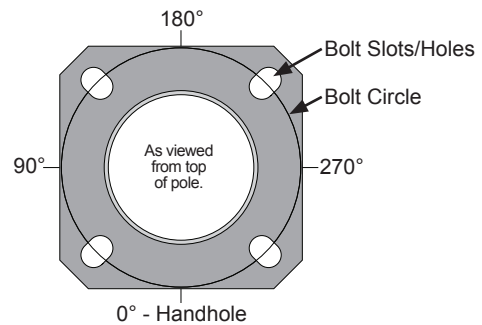
DS210 Light Duty poles available at [valmontstructures.com](http://valmontstructures.com)

- Maximum EPA (Effective Projected Area) and weight values are based on top mounted luminaires and/or brackets having a centroid 2'-6" above the Nominal Mounting Height. Variations from sizes above are available upon inquiry at the factory. Satisfactory performance of poles is dependent upon the pole being properly attached to a supporting foundation of adequate design.
- Structure weight is a nominal value which includes the pole shaft and base plate only.
- Designs showing two shaft gauges indicate structure is provided as a two-piece, field assembled unit. The heavier gauge is the bottom section.
- Max loadings do not consider fatigue for assemblies greater than 55'.

## ANCHORAGE DATA

POLE		BASE PLATE				ANCHOR BOLTS			
POLE BASE OD (IN)	WALL THK (GA)	BOLT CIRCLE		SQUARE (IN)	THK (IN)	DIA x LENGTH x HOOK (IN)	PROJECTION (IN)	± (IN)	
		DIA (IN)	± (IN)						
11.00	7	15.00	0.50	16.50	1.500	1.25 x 42.00 x 6.00	5.25	0.25	
12.00	7	16.00	N/A	17.00	1.500	1.50 x 54.00 x 6.00	5.75	0.25	
12.50	5	16.50	N/A	17.50	1.500	1.50 x 54.00 x 6.00	5.75	0.25	
13.00	7	17.00	N/A	18.00	1.500	1.50 x 54.00 x 6.00	5.75	0.25	
13.00	5	17.00	N/A	18.00	1.500	1.50 x 54.00 x 6.00	5.75	0.25	
13.00	3	17.50	N/A	18.50	1.750	1.75 x 84.00 x 6.00	6.50	0.25	

Anchor Base Detail



## STANDARD ORDERING CODE STRUCTURE

MODEL	DESIGNATION	FIXTURE MOUNTING	FINISH SYSTEM	STANDARD COLOR OPTIONS	BASE COVER	ANCHOR BOLTS	SUPPLEMENTAL INFO
DS210	Select Correct Designation from the Load and Dimensional Data Chart.	<b>Drill Mounting (See Orientation)</b> D1 = (1) Drilling @ 270° D2 = (2) Drillings @ 90° & 270° D3 = (3) Drillings @ 60°, 180°, & 300° D4 = (4) Drillings @ 0°, 90°, 180°, & 270° D5 = (2) Drillings @ 180° & 270° D6 = (3) Drillings @ 90°, 180°, & 270° <b>Tenon Mounting</b> P2 = 2.38" OD x 4" tenon P4 = 4.00" OD x 6" tenon P5 = 2.88" OD x 4" tenon P6 = 2.88" OD x 5" tenon P7 = 2.38" OD x 5" tenon P9 = Special Size (Specify) <b>Other Options</b> PC = Pole Cap PL = Plain Top (No Cap)	GV = Galvanized FP = Finish Painted -----OPTIONAL----- FPGV = Finish Paint over Galvanizing VP30 = V-PRO™ 30 System VP32 = V-PRO™ 32 System VP53 = V-PRO™ 53 System VP54 = V-PRO™ 54 System VP57 = V-PRO™ 57 System VP100 = V-PRO™ 100 System VP105 = V-PRO™ 105 System	GV = Galvanized BK = Black DB = Dark Bronze MB = Medium Bronze WH = White LG = Light Gray CB = Bronze DG = Dark Green ST = Sandstone HG = Hunter Green SG = Slate Gray SL = Silver SC = Special Color (Specify)	FBC = Full Base Cover -----OPTIONAL----- NC = Nut Covers	AB = With Anchor Bolts LAB = Without Anchor Bolts	