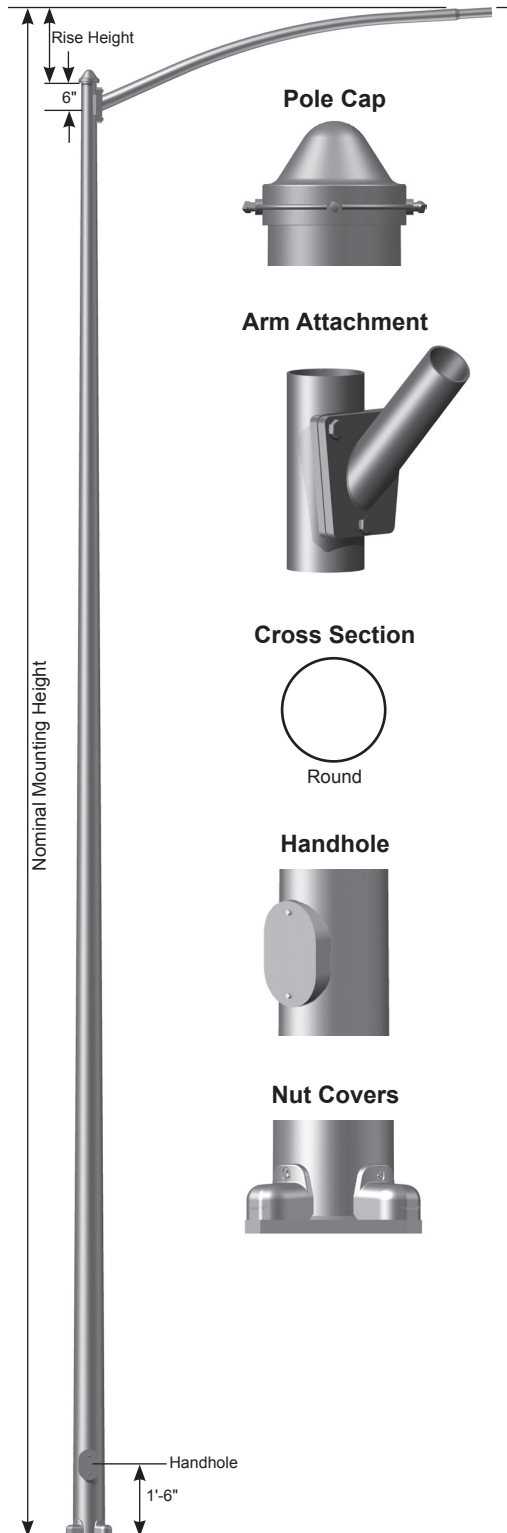


Job Name: _____	Client Name: _____
Job Location - City: _____ State: _____	Created By: _____ Date: _____
Product: _____ Quote: _____	Customer Approval: _____ Date: _____



## SPECIFICATIONS

**Pole** - The pole shaft conforms to ASTM A595 Grade A with a constant linear taper of 0.14 in/ft.

**Pole Top** - A removable pole cap with hardware is provided.

**Luminaire Arm** - Luminaire arm shaft conforms to ASTM A595 Grade A with a constant linear taper of 0.14 in/ft. Double luminaire arms are oriented 180° apart. For other orientations please consult factory.

**Luminaire Arm Attachment** - The luminaire arm and pole connection plates conform to ASTM A36.

**Handhole** - A covered handhole and grounding provision with hardware is provided.

**Nut Covers** - Anchor bolt nut covers with hardware are provided.

**Full Base Cover** - Optional two-piece full base cover is fabricated from ABS plastic. Valmont reserves the right to provide an optional two-piece steel full base cover on some applications depending upon the finish requirement and/or pole base diameter.

**Anchor Base** - The anchor base (base plate) conforms to ASTM A36.

**Anchor Bolts** - Anchor bolts conform to ASTM F1554 Grade 55 and are provided with two hex nuts and two flat washers. Bolts have an "L" bend on one end and are galvanized a minimum of 12" on the threaded end.

**Hardware** - All structural fasteners are galvanized high strength carbon steel. All non-structural fasteners are galvanized or zinc-plated carbon steel or stainless steel.

**Finish** - Standard finishes are galvanized, prime painted or any of Valmont's V-PRO™ Protection Systems. Additional finish options available upon request.

**Design Criteria** - Please reference Design Criteria Specification for appropriate design conditions.

## ARM DATA

ARM SPAN (FT)	RISE HEIGHT	BASE OD (IN)	END OD (IN)	WALL THK (IN)
4	0'-6"	3.00	2.40	11
6	1'-0"	3.30	2.40	11
8	1'-4"	3.60	2.40	11
10	1'-8"	3.80	2.40	11
12	2'-0"	4.10	2.40	11
15	2'-6"	4.60	2.40	11

## Double Arm Arrangement

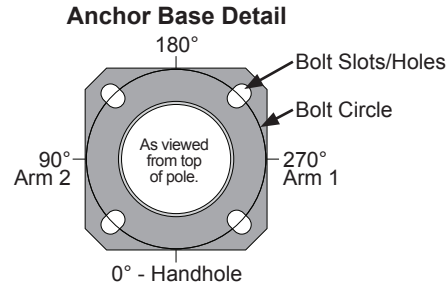


# ROUND TAPERED STEEL Smooth DS32

Job Name: _____	Client Name: _____
Job Location - City: _____ State: _____	Created By: _____ Date: _____
Product: _____ Quote: _____	Customer Approval: _____ Date: _____

## ANCHORAGE DATA

POLE BASE OD (IN)	BASE PLATE				ANCHOR BOLTS			
	BOLT CIRCLE		SQUARE (IN)	THK (IN)	DIA x LENGTH x HOOK (IN)	PROJECTION (IN)	± (IN)	
DIA (IN)	± (IN)							
7.50	10.50	0.50	11.25	0.875	1.00 x 36.00 x 4.00	4.13	0.25	
8.00	11.00	0.50	11.50	0.875	1.00 x 36.00 x 4.00	4.13	0.25	
8.50	11.50	0.50	12.00	1.000	1.00 x 36.00 x 4.00	4.25	0.25	
9.00	12.50	0.50	12.38	1.000	1.00 x 36.00 x 4.00	4.25	0.25	
9.50	13.00	0.50	13.00	1.000	1.00 x 36.00 x 4.00	4.25	0.25	
10.00	13.50	0.50	14.00	1.000	1.00 x 36.00 x 4.00	4.25	0.25	
10.50	14.00	0.50	14.50	1.250	1.25 x 42.00 x 6.00	5.00	0.25	



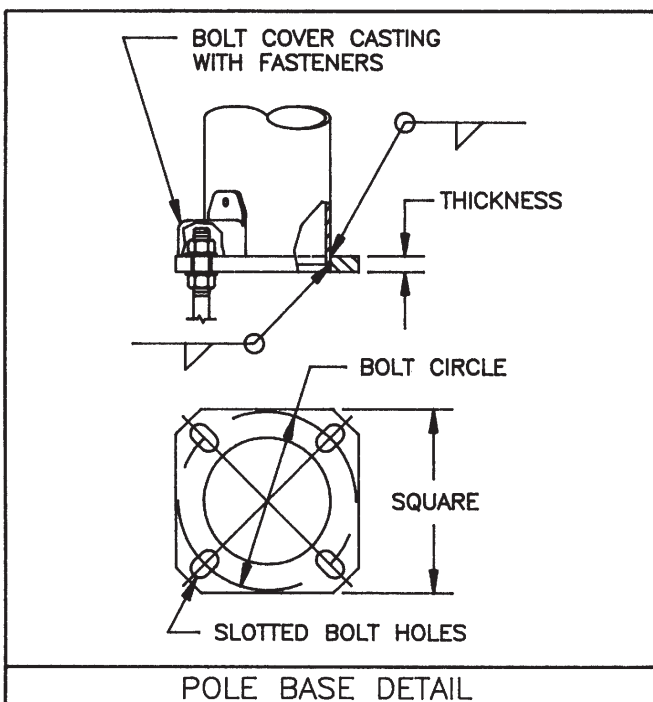
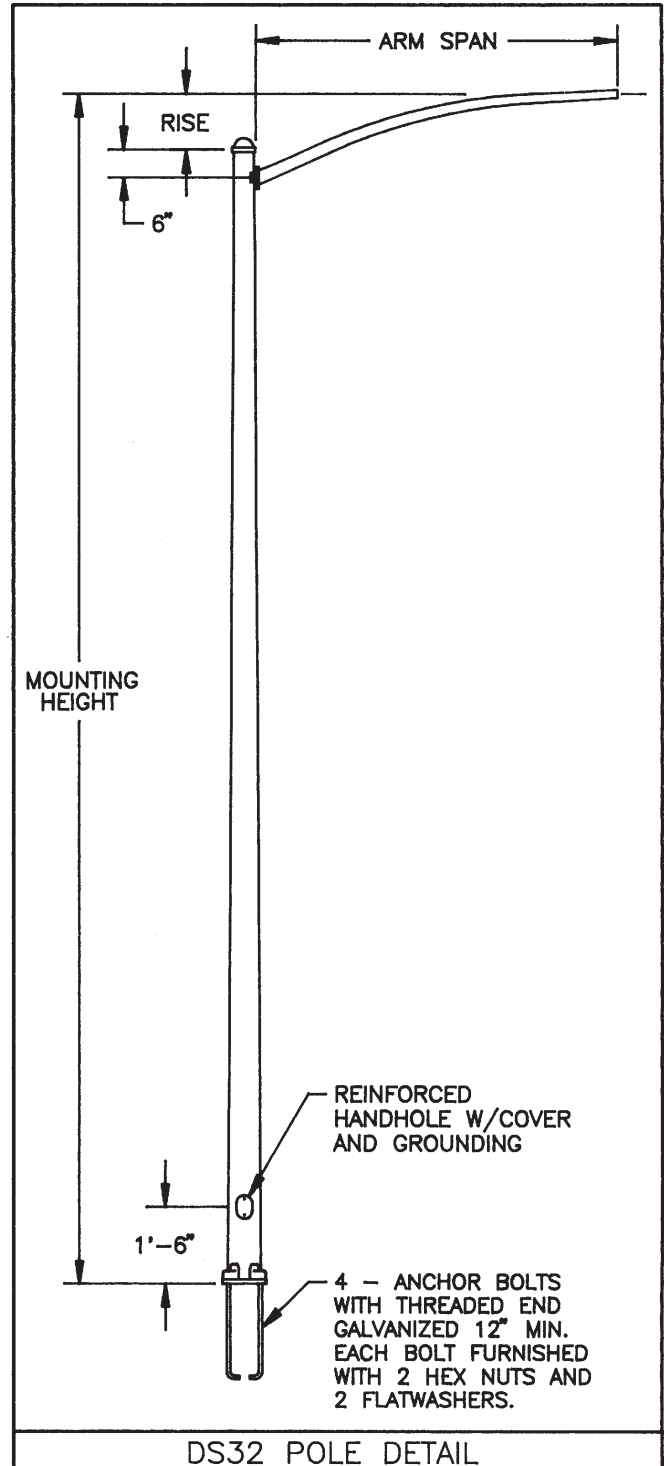
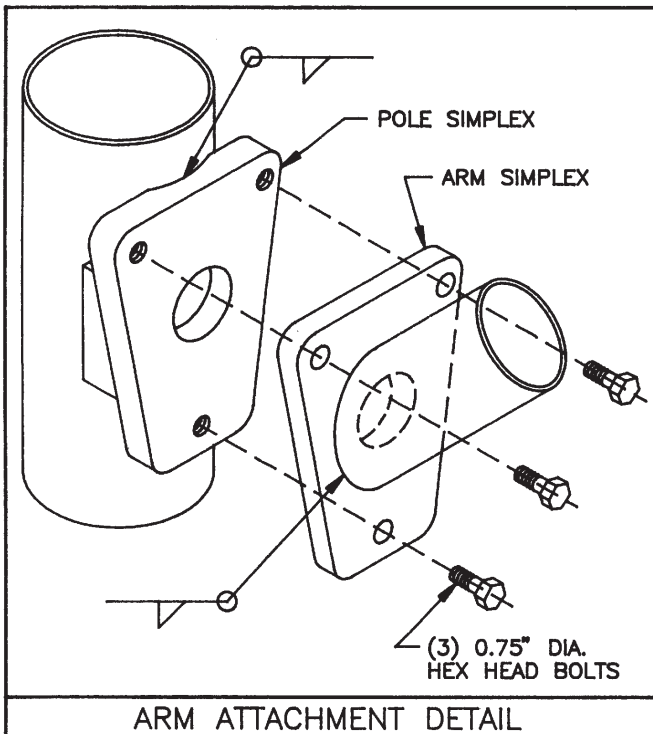
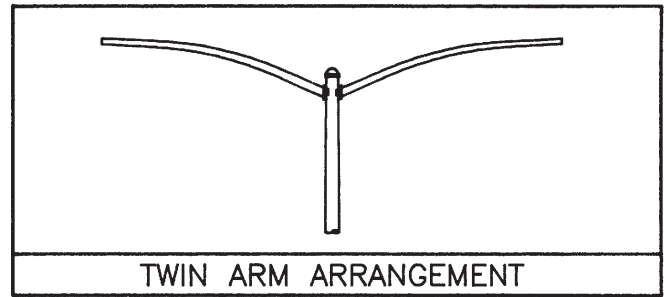
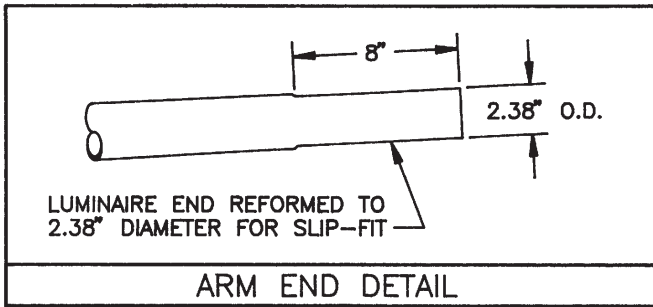
## LOAD AND DIMENSIONAL DATA

NOMINAL MOUNTING HEIGHT	DESIGN INFORMATION				POLE DIMENSIONS					MODEL NUMBER
	QUANTITY OF ARMS	MAX ARM LENGTH (FT)	100 MPH w/1.3 GUST		BASE OD (IN)	TOP OD (IN)	WALL THK (GA)	STRUCTURE WEIGHT <sup>2</sup> (LBS)		
			MAX LUMINAIRE EPA <sup>1</sup> (SQFT)	MAX LUMINAIRE WEIGHT <sup>1</sup> (LBS)						
30'-0"	Single	8	2.0	75	7.50	3.51	11	295	R750A286	
	Single	15	2.0	75	8.00	4.01	11	349	R800A286	
	Double	12	2.0	75	7.50	3.51	11	390	R750A286	
	Double	15	2.0	75	8.00	4.01	11	445	R800A286	
35'-0"	Single	8	2.0	75	8.00	3.31	11	340	R800A336	
	Single	12	2.0	75	8.50	3.81	11	395	R850A336	
	Single	15	2.0	75	9.00	4.31	11	425	R900A336	
	Double	8	2.0	75	8.00	3.31	11	395	R800A336	
	Double	12	2.0	75	8.50	3.81	11	470	R850A336	
	Double	15	2.0	75	9.00	4.31	11	515	R900A336	
40'-0"	Single	10	2.0	75	9.00	3.61	11	430	R900A386	
	Single	12	2.0	75	9.50	4.11	11	485	R950A386	
	Single	15	2.0	75	10.00	4.61	11	515	RT00A386	
	Double	10	2.0	75	9.00	3.61	11	490	R900A386	
	Double	12	2.0	75	9.50	4.11	11	560	R950A386	
	Double	15	2.0	75	10.00	4.61	11	600	RT00A386	
45'-0"	Single	10	2.0	75	9.50	3.41	11	500	R950A436	
	Single	12	2.0	75	10.00	3.91	11	560	RT00A436	
	Single	15	2.0	75	10.50	4.41	10	645	RT50B436	
	Double	10	2.0	75	9.50	3.41	11	585	R950A436	
	Double	12	2.0	75	10.00	3.91	11	645	RT00A436	
	Double	15	2.0	75	10.50	4.41	10	740	RT50B436	

1. EPA represents the Effective Projected Area of each luminaire. Designs are limited to one luminaire per arm. Variations from sizes above are available upon inquiry at the factory. Satisfactory performance of poles is dependent upon the pole being properly attached to a supporting foundation of adequate design.
2. Structure weight is a nominal value which includes the pole shaft, base plate and luminaire arm(s) only.
3. Nominal luminaire mounting heights as charted are within ± 1'-0" depending upon the arm length selected and the respective rise height.

## PRODUCT ORDERING CODES

DESIGN SERIES	MODEL NUMBER	FIXTURE MOUNTING	FINISH	COLOR	V-PRO™ PROTECTION SYSTEM	OPTIONS
DS32	R750A286 R800A286 R800A336 R850A336 R900A336 R900A386 R950A386 RT00A386 R950A436 RT00A436 RT50B436	4S = 4' Single 4D = 4' Double 6S = 6' Single 6D = 6' Double 8S = 8' Single 8D = 8' Double 10S = 10' Single 10D = 10' Double 12S = 12' Single 12D = 12' Double 15S = 15' Single 15D = 15' Double	GV = Galvanize PP = Prime Paint FP = Finish Paint GF = Galvanized + Finish Paint	-- = Galvanize -- = Prime Paint WH = White ST = Sandstone BK = Black SM = Silver Metallic SL = Silver LG = Light Gray SG = Slate Gray DT = Dark Tan MB = Medium Bronze CB = Bronze DB = Dark Bronze BN = Brown HG = Hunter Green DG = Dark Green RD = Red SC = Special Color (Contact Factory)	-- = Galvanize -- = Prime Paint V1 = V-PRO 1 Basic 1 Coat Powder. V2 = V-PRO 2 2 Coat Powder or Liquid. Includes epoxy primer & top coat. V3 = V-PRO 3 2 Coat Powder or Liquid. Includes zinc primer & top coat. V4 = V-PRO 4 2 Coat Powder or Liquid. Includes zinc primer & premium top coat.	See Accessories at valmontstructures.com (Please Specify)



SFC7309 04/17 valmontstructures.com carries the most current spec information and supersedes these guidelines.