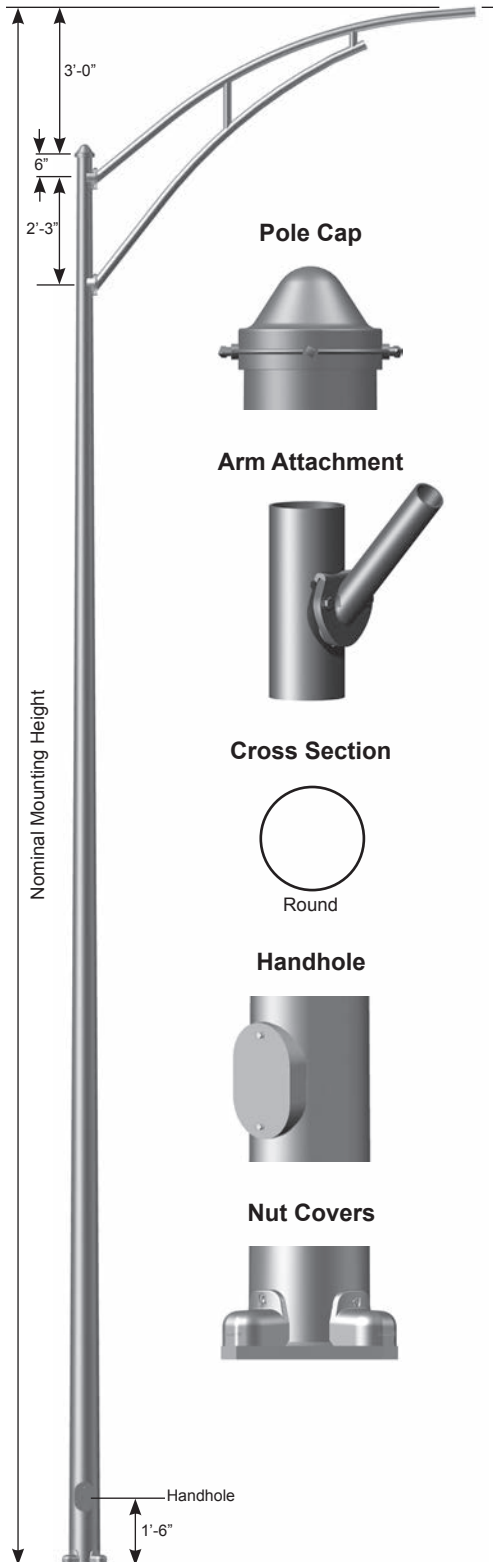


Job Name: _____	Client Name: _____
Job Location - City: _____ State: _____	Created By: _____ Date: _____
Product: _____ Quote: _____	Customer Approval: _____ Date: _____



SPECIFICATIONS

Pole - The pole shaft conforms to ASTM A595 Grade A with a constant linear taper of 0.14 in/ft.

Pole Top - A removable pole cap with hardware is provided.

Luminaire Arm - Luminaire arms are made from 2" schedule 40 pipe (2.38" OD) with a minimum yield strength of 36,000 psi. Double luminaire arms are oriented 180° apart. For other orientations please consult factory.

Luminaire Arm Attachment - Connection allows arm to be erected and held in place by gravity and secured by four bolts.

Handhole - A covered handhole and grounding provision with hardware is provided.

Nut Covers - Anchor bolt nut covers with hardware are provided.

Full Base Cover - Optional two-piece full base cover is fabricated from ABS plastic. Valmont reserves the right to provide an optional two-piece steel full base cover on some applications depending upon the finish requirement and/or pole base diameter.

Anchor Base - The anchor base (base plate) conforms to ASTM A36.

Anchor Bolts - Anchor bolts conform to ASTM F1554 Grade 55 and are provided with two hex nuts and two flat washers. Bolts have an "L" bend on one end and are galvanized a minimum of 12" on the threaded end.

Hardware - All structural fasteners are galvanized high strength carbon steel. All non-structural fasteners are galvanized or zinc-plated carbon steel or stainless steel.

Finish - Standard finishes are galvanized, prime painted or any of Valmont's V-PRO™ Protection Systems. Additional finish options available upon request.

Design Criteria - Please reference Design Criteria Specification for appropriate design conditions.

ARM DATA

Double Arm Arrangement



ROUND TAPERED STEEL

Smooth

DS70



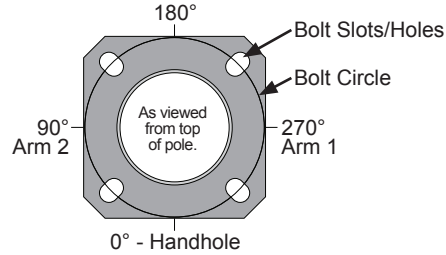
STRUCTURES

Job Name: _____	Client Name: _____
Job Location - City: _____ State: _____	Created By: _____ Date: _____
Product: _____ Quote: _____	Customer Approval: _____ Date: _____

ANCHORAGE DATA

POLE BASE OD (IN)	BASE PLATE				ANCHOR BOLTS		
	BOLT CIRCLE DIA (IN)	± (IN)	SQUARE (IN)	THK (IN)	DIA x LENGTH x HOOK (IN)	PROJECTION (IN)	± (IN)
7.00	10.00	0.50	10.88	0.875	1.00 x 36.00 x 4.00	4.13	0.25
7.50	10.50	0.50	11.25	0.875	1.00 x 36.00 x 4.00	4.13	0.25
8.00	11.00	0.50	11.50	0.875	1.00 x 36.00 x 4.00	4.13	0.25
8.50	11.50	0.50	12.00	1.000	1.00 x 36.00 x 4.00	4.25	0.25
9.00	12.50	0.50	12.38	1.000	1.00 x 36.00 x 4.00	4.25	0.25
9.50	13.00	0.50	13.00	1.000	1.00 x 36.00 x 4.00	4.25	0.25
10.00	13.50	0.50	14.00	1.000	1.00 x 36.00 x 4.00	4.25	0.25

Anchor Base Detail



LOAD AND DIMENSIONAL DATA

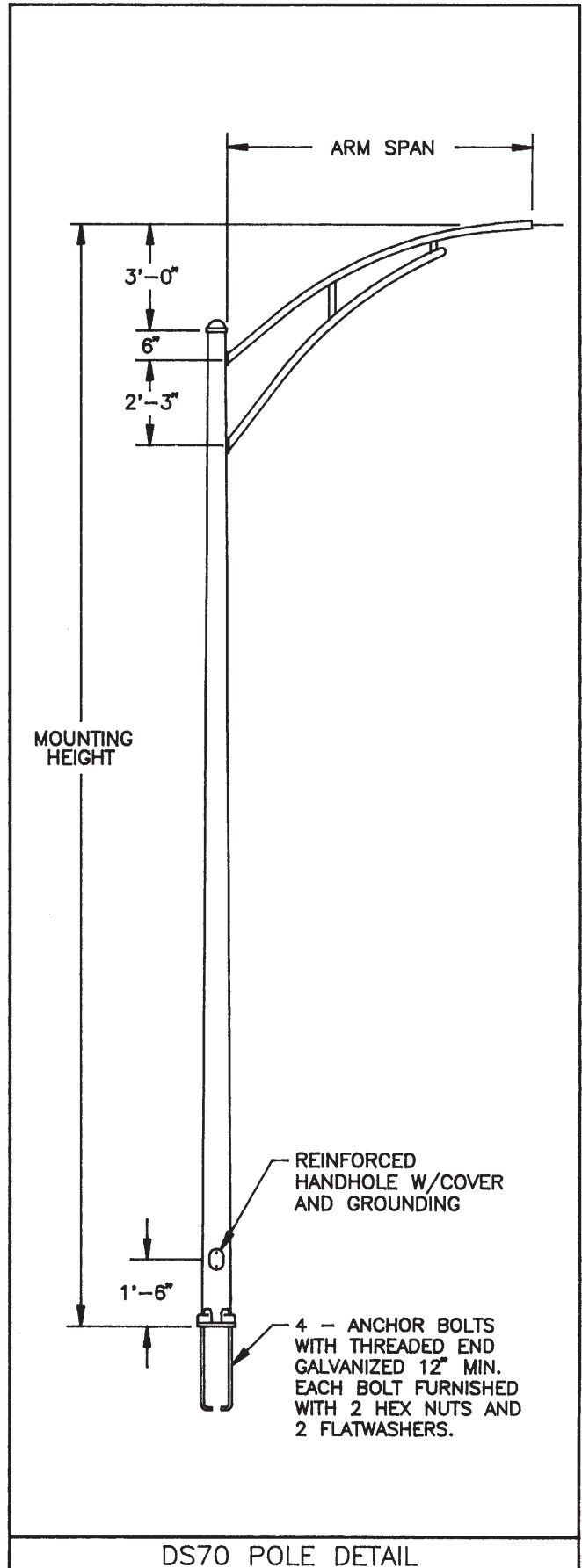
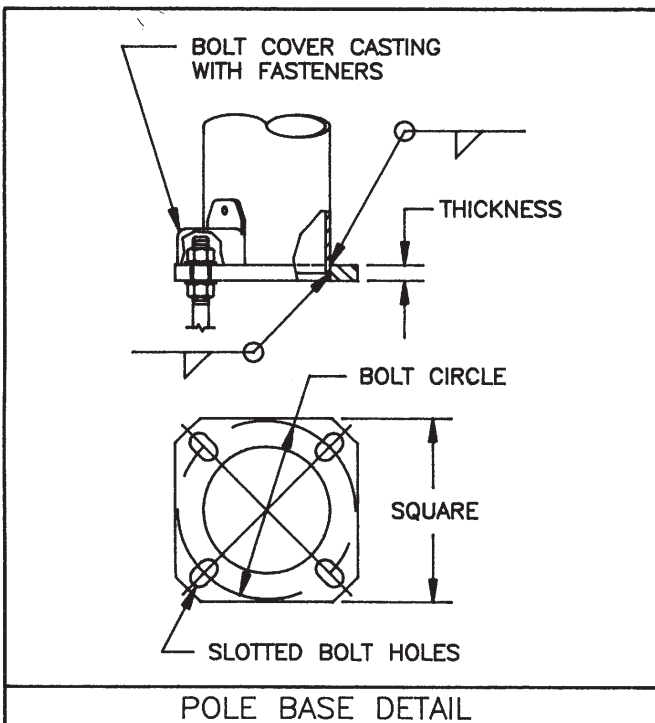
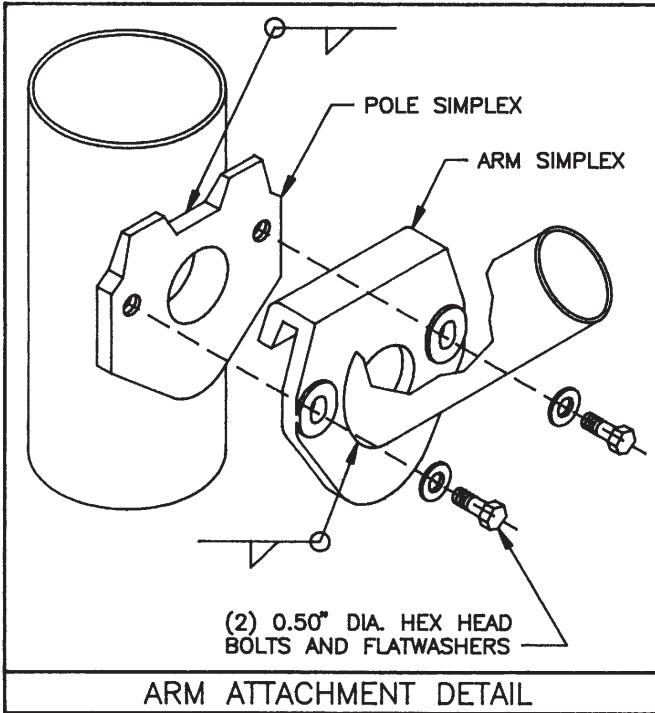
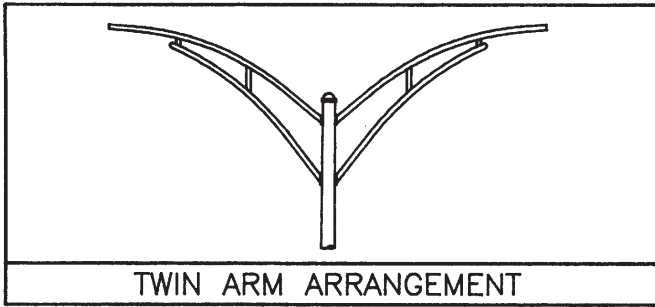
NOMINAL MOUNTING HEIGHT	QUANTITY OF ARMS	MAX ARM LENGTH (FT)	DESIGN INFORMATION		POLE DIMENSIONS					MODEL NUMBER
			MAX LUMINAIRE EPA ¹ (SQFT)	MAX LUMINAIRE WEIGHT ¹ (LBS)	BASE OD (IN)	TOP OD (IN)	WALL THK (GA)	STRUCTURE WEIGHT ² (LBS)		
									100 MPH w/1.3 GUST	
25'-0"	Single	15	2.0	75	7.00	3.92	11	295	R700A220	
	Double	15	2.0	75	7.00	3.92	11	385	R700A220	
30'-0"	Single	12	2.0	75	7.50	3.72	11	345	R750A270	
	Single	15	2.0	75	8.00	4.22	11	370	R800A270	
	Double	12	2.0	75	7.50	3.72	11	445	R750A270	
35'-0"	Double	15	2.0	75	8.00	4.22	11	490	R800A270	
	Single	10	2.0	75	8.00	3.52	11	375	R800A320	
	Single	12	2.0	75	8.50	4.02	11	405	R850A320	
	Single	15	2.0	75	9.00	4.52	11	445	R900A320	
	Double	10	2.0	75	8.00	3.52	11	465	R800A320	
	Double	12	2.0	75	8.50	4.02	11	500	R850A320	
40'-0"	Double	15	2.0	75	9.00	4.52	11	560	R900A320	
	Single	12	2.0	75	9.00	3.82	11	450	R900A370	
	Single	15	2.0	75	9.50	4.32	11	510	R950A370	
	Double	10	2.0	75	9.00	3.82	11	565	R900A370	
40'-0"	Double	12	2.0	75	9.50	4.32	11	630	R950A370	
	Double	15	2.0	75	10.00	4.82	11	665	RT00A370	

- EPA represents the Effective Projected Area of each luminaire. Designs are limited to one luminaire per arm. Variations from sizes above are available upon inquiry at the factory. Satisfactory performance of poles is dependent upon the pole being properly attached to a supporting foundation of adequate design.
- Structure Weight is a nominal value which includes the pole shaft, base plate and luminaire arm(s) only.

PRODUCT ORDERING CODES

DESIGN SERIES	MODEL NUMBER	FIXTURE MOUNTING	FINISH	COLOR	V-PRO™ PROTECTION SYSTEM	OPTIONS
DS70	R700A220 R750A270 R800A270 R800A270 R800A320 R850A320 R900A320 R900A370 R950A370 RT00A370	8S = 8' Single 8D = 8' Double 10S = 10' Single 10D = 10' Double 12S = 12' Single 12D = 12' Double 15S = 15' Single 15D = 15' Double	GV = Galvanize PP = Prime Paint FP = Finish Paint GF = Galvanized + Finish Paint	-- = Galvanize -- = Prime Paint WH = White ST = Sandstone BK = Black SM = Silver Metallic SL = Silver LG = Light Gray SG = Slate Gray DT = Dark Tan MB = Medium Bronze CB = Bronze DB = Dark Bronze BN = Brown HG = Hunter Green DG = Dark Green RD = Red SC = Special Color (Contact Factory)	-- = Galvanize -- = Prime Paint V1 = V-PRO 1 Basic 1 Coat Powder. V2 = V-PRO 2 2 Coat Powder or Liquid. Includes epoxy primer & top coat. V3 = V-PRO 3 2 Coat Powder or Liquid. Includes zinc primer & top coat. V4 = V-PRO 4 2 Coat Powder or Liquid. Includes zinc primer & premium top coat.	See Accessories at valmontstructures.com (Please Specify)

SPC7316 10/17 valmontstructures.com carries the most current spec information and supersedes these guidelines.



SPC7316 10/17 valmontstructures.com carries the most current spec information and supersedes these guidelines.