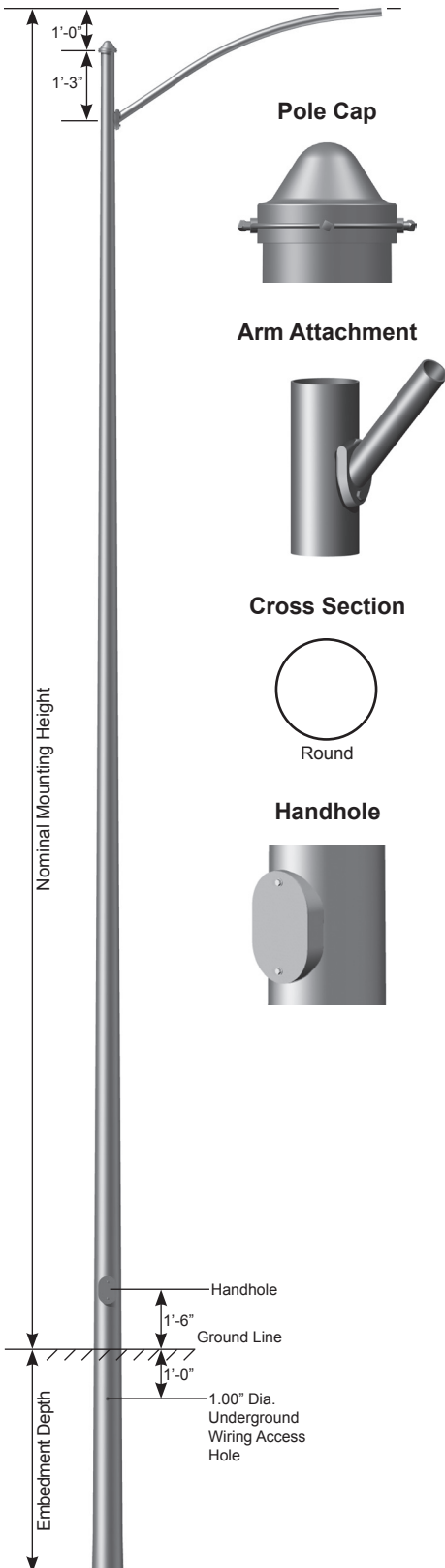


Job Name: _____	Client Name: _____
Job Location - City: _____ State: _____	Created By: _____ Date: _____
Product: _____ Quote: _____	Customer Approval: _____ Date: _____



**SPECIFICATIONS**

**Pole** - The pole shaft conforms to ASTM A595 Grade A with a constant linear taper of 0.14 in/ft.

**Pole Top** - A removable pole cap with hardware is provided.

**Luminaire Arm** - Luminaire arms are made from 2" schedule 40 pipe (2.38" OD) with a minimum yield strength of 36,000 psi. Double luminaire arms are oriented 180° apart. For other orientations and scroll options please consult factory.

**Luminaire Arm Attachment** - Connection allows arm to be erected and held in place by gravity and secured by a single bolt.

**Handhole** - A covered handhole and grounding provision with hardware is provided.

**Underground Wiring Access** - A 1.00" diameter hole is provided at 1'-0" below the ground line.

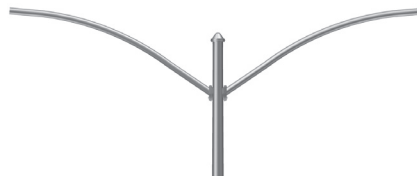
**Hardware** - All structural fasteners are galvanized high strength carbon steel. All non-structural fasteners are galvanized or zinc-plated carbon steel or stainless steel.

**Finish** - Standard finishes are galvanized, prime painted or any of Valmont's V-PRO™ Protection Systems. Additional finish options available upon request.

**Design Criteria** - Please reference Design Criteria Specification for appropriate design conditions.

**ARM DATA**

**Double Arm Arrangement**

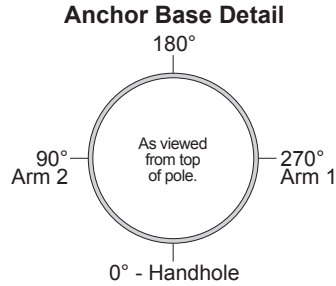


# ROUND TAPERED STEEL Smooth EM30

Job Name: _____	Client Name: _____
Job Location - City: _____ State: _____	Created By: _____ Date: _____
Product: _____ Quote: _____	Customer Approval: _____ Date: _____

## ANCHORAGE DATA

POLE BASE OD (IN)	GROUND LINE DIA (IN)	EMBEDMENT DEPTH (FT)
5.90	5.20	5.00
6.60	5.90	5.00
7.00	6.30	5.00
7.30	6.60	5.00
8.00	7.30	5.00
9.00	8.30	5.00
9.50	8.52	7.00
10.00	9.02	7.00



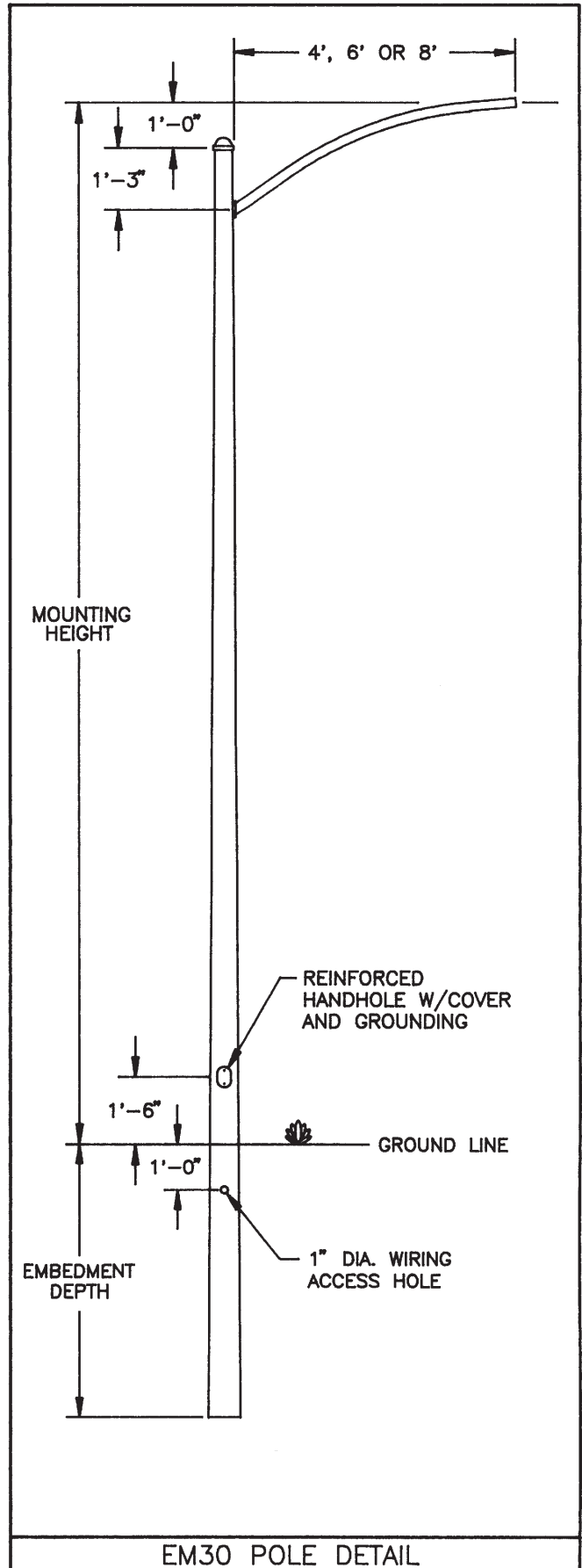
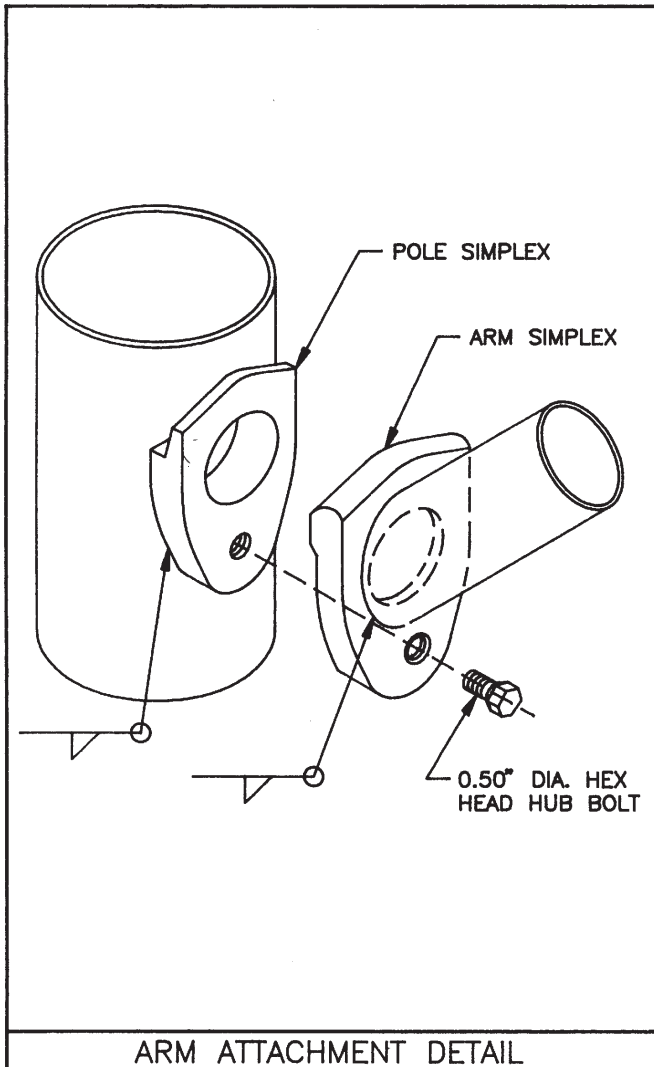
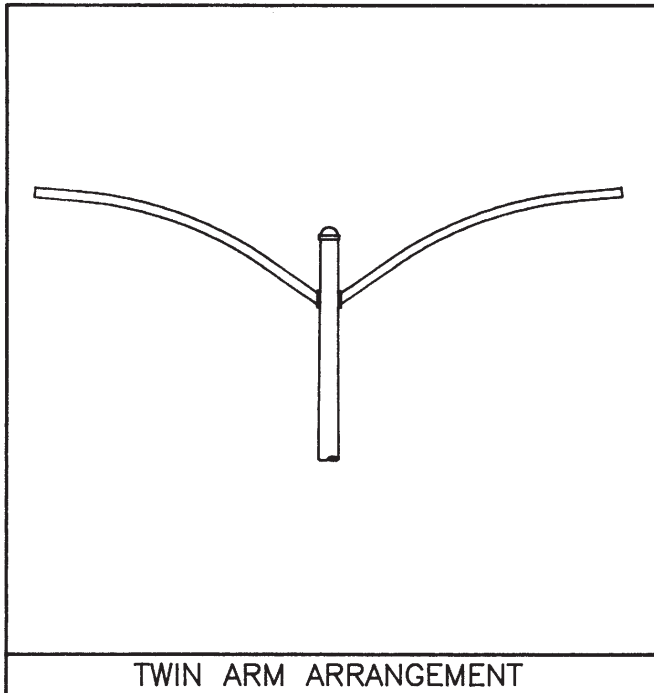
## LOAD AND DIMENSIONAL DATA

NOMINAL MOUNTING HEIGHT	DESIGN INFORMATION				POLE DIMENSIONS					MODEL NUMBER
	QUANTITY OF ARMS	MAX ARM LENGTH (FT)	100 MPH w/1.3 GUST		BASE OD (IN)	TOP OD (IN)	WALL THK (GA)	STRUCTURE WEIGHT <sup>2</sup> (LBS)		
			MAX LUMINAIRE EPA <sup>1</sup> (SQFT)	MAX LUMINAIRE WEIGHT <sup>1</sup> (LBS)						
21'-0"	Single	4	2.0	75	5.90	2.40	11	160	R590A250	
	Single	6	2.0	60	5.90	2.40	11	163	R590A250	
	Single	8	2.0	44	5.90	2.40	11	170	R590A250	
	Single	8	2.0	75	7.00	3.50	11	215	R700A250	
	Double	8	2.0	75	5.90	2.40	11	210	R590A250	
	Double	8	2.0	75	7.00	3.50	11	250	R700A250	
26'-0"	Single	4	2.0	75	6.60	2.40	11	205	R660A300	
	Single	6	2.0	72	6.60	2.40	11	210	R660A300	
	Single	8	2.0	42	6.60	2.40	11	220	R660A300	
	Single	8	2.0	75	8.00	3.80	11	275	R800A300	
	Double	8	2.0	75	6.60	2.40	11	250	R660A300	
	Double	8	2.0	75	8.00	3.80	11	310	R800A300	
31'-0"	Single	4	2.0	75	7.30	2.40	11	250	R730A350	
	Single	6	2.0	50	7.30	2.40	11	255	R730A350	
	Single	8	2.0	35	7.30	2.40	11	265	R730A350	
	Single	8	2.0	75	9.00	4.10	11	350	R900A350	
	Double	8	2.0	75	7.30	2.40	11	300	R730A350	
	Double	8	2.0	75	9.00	4.10	11	385	R900A350	
36'-0"	Single	8	2.0	75	9.50	3.62	11	410	R950A420	
	Double	8	2.0	75	9.50	3.62	11	445	R950A420	
40'-0"	Single	8	2.0	75	10.00	3.56	11	460	RT00A460	
	Double	8	2.0	75	10.00	3.56	11	495	RT00A460	

- EPA represents the Effective Projected Area of each luminaire. Designs are limited to one luminaire per arm. Variations from sizes above are available upon inquiry at the factory. Satisfactory performance of poles is dependent upon the pole being properly embedded in a supporting foundation of adequate design.
- Structure Weight is a nominal value which includes the pole shaft and luminaire arm(s) only.

## PRODUCT ORDERING CODES

DESIGN SERIES	MODEL NUMBER	FIXTURE MOUNTING	FINISH	COLOR	V-PRO™ PROTECTION SYSTEM	OPTIONS
EM30	R590A250 R700A250 R660A300 R800A300 R730A350 R900A350 R950A420 RT00A460	4S = 4' Single 4D = 4' Double 6S = 6' Single 6D = 6' Double 8S = 8' Single 8D = 8' Double	GV = Galvanize PP = Prime Paint FP = Finish Paint GF = Galvanized + Finish Paint	-- = Galvanize -- = Prime Paint WH = White ST = Sandstone BK = Black SM = Silver Metallic SL = Silver LG = Light Gray SG = Slate Gray DT = Dark Tan MB = Medium Bronze CB = Bronze DB = Dark Bronze BN = Brown HG = Hunter Green DG = Dark Green RD = Red SC = Special Color (Contact Factory)	-- = Galvanize -- = Prime Paint V1 = V-PRO 1 Basic 1 Coat Powder. V2 = V-PRO 2 2 Coat Powder or Liquid. Includes epoxy primer & top coat. V3 = V-PRO 3 2 Coat Powder or Liquid. Includes zinc primer & top coat. V4 = V-PRO 4 2 Coat Powder or Liquid. Includes zinc primer & premium top coat.	See Accessories at <a href="http://valmontstructures.com">valmontstructures.com</a> (Please Specify)



SPC7308 03/16 valmontstructures.com carries the most current spec information and supersedes these guidelines.