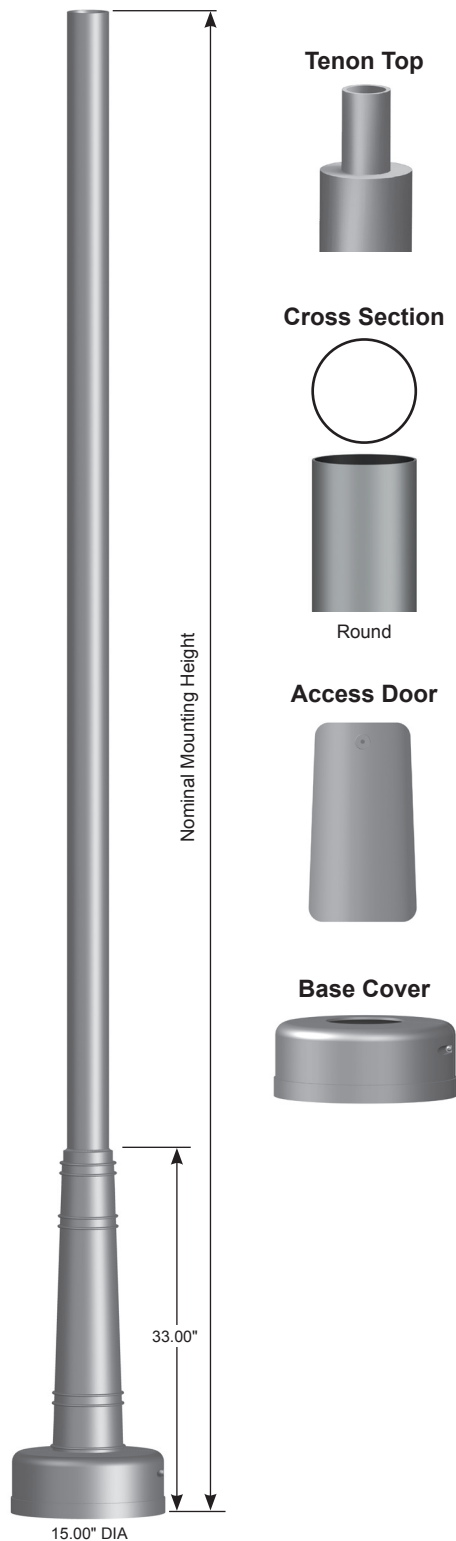


| | |
|---|--------------------------------------|
| Job Name: _____ | Client Name: _____ |
| Job Location - City: _____ State: _____ | Created By: _____ Date: _____ |
| Product: AV20ASR -- Quote: _____ | Customer Approval: _____ Date: _____ |

SPECIFICATIONS



Post - The post shaft is extruded from seamless 6000 series alloy aluminum.

Post Top - A post top plate and tenon can be provided for top mount luminaire and/or bracket. A removable finial is available for posts receiving drilling patterns for side-mount luminaire arm assemblies.

Structural Base - The structural base is cast from 356 alloy aluminum and provided with a 5.00" wide X 10.00" tall access door. A grounding provision is provided. The post shaft is inserted and welded into the structural base casting. The completed assembly is heat-treated to a T6 temper.

Base Cover - The Dart clamshell base cover is cast from high quality aluminum. Additional base cover options available upon request.

Anchor Bolts - Anchor bolts conform to ASTM F1554 Grade 55 and are provided with two hex nuts and two flat washers. Bolts have an "L" bend on one end and are galvanized a minimum of 12" on the threaded end.

Finish - The standard finish for the post assembly and components is polyester powder applied coating in accordance with Valmont Industries' Specifications. Additional finish options available upon request.

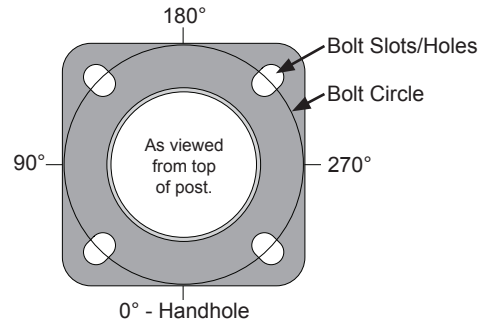
AVENUE 20 Round Non-Tapered Aluminum Post

| | |
|---|--------------------------------------|
| Job Name: _____ | Client Name: _____ |
| Job Location - City: _____ State: _____ | Created By: _____ Date: _____ |
| Product: AV20ASR -- Quote: _____ | Customer Approval: _____ Date: _____ |

ANCHORAGE DATA

| STRUCTURAL BASE | | | | ANCHOR BOLTS | | |
|-----------------|--------|---------------|----------|--------------------------|-----------------|--------|
| BOLT CIRCLE | | DIAMETER (IN) | THK (IN) | DIA x LENGTH x HOOK (IN) | PROJECTION (IN) | ± (IN) |
| DIA (IN) | ± (IN) | | | | | |
| 11.00 | N/A | 11.50 | 0.75 | 0.75 x 17.00 x 3.00 | 3.25 | N/A |

Anchor Base Detail



LOAD AND DIMENSIONAL DATA

| NOMINAL MOUNTING HEIGHT | DESIGN INFORMATION | | | | | | POST DIMENSIONS | | | | MODEL NUMBER |
|-------------------------|--------------------------------|-------------------------------|--------------------------------|-------------------------------|---------------------------------|-------------------------------|-----------------|-------------|---------------|-------------------------------------|--------------|
| | 80 MPH w/1.3 GUST ¹ | | 90 MPH w/1.3 GUST ¹ | | 100 MPH w/1.3 GUST ¹ | | BASE OD (IN) | TOP OD (IN) | WALL THK (IN) | STRUCTURE WEIGHT ³ (LBS) | |
| | MAX EPA ² (SQFT) | MAX WEIGHT ² (LBS) | MAX EPA ² (SQFT) | MAX WEIGHT ² (LBS) | MAX EPA ² (SQFT) | MAX WEIGHT ² (LBS) | | | | | |
| 8'-0" | 16.8 | 65 | 13.2 | 65 | 10.6 | 65 | 4.00 | 4.00 | 0.188 | 45 | 080040406GG |
| 10'-0" | 13.7 | 65 | 10.6 | 65 | 8.5 | 65 | 4.00 | 4.00 | 0.188 | 50 | 100040406GG |
| 12'-0" | 11.2 | 65 | 8.6 | 65 | 6.8 | 65 | 4.00 | 4.00 | 0.188 | 56 | 120040406GG |
| 14'-0" | 8.9 | 65 | 6.7 | 65 | 5.2 | 65 | 4.00 | 4.00 | 0.188 | 61 | 140040406GG |
| | 11.8 | 65 | 9.0 | 65 | 7.0 | 65 | 4.00 | 4.00 | 0.250 | 70 | 140040408GG |
| 16'-0" | 7.1 | 65 | 5.2 | 65 | 3.9 | 65 | 4.00 | 4.00 | 0.188 | 66 | 160040406GG |
| | 9.5 | 65 | 7.1 | 65 | 5.5 | 65 | 4.00 | 4.00 | 0.250 | 77 | 160040408GG |

- EPA values are calculated using fastest mile winds.
- Maximum EPA (Effective Projected Area) and weight values are based on top mounted luminaires and/or brackets having a centroid 3'-0" above and 3'-0" eccentric to the post top at Nominal Mounting Height. Variations from sizes above are available upon inquiry at the factory. Satisfactory performance of posts is dependent upon the post being properly attached to a supporting foundation of adequate design.
- Structure Weight is a nominal value which includes the post shaft and structural base.

PRODUCT ORDERING CODES

| DESIGN SERIES | CROSS SECTION | MODEL NUMBER | FIXTURE MOUNTING | COLOR | OPTIONS |
|---------------|---------------|---|--|--|---|
| AV20AS | Round | 080040406GG 100040406GG 120040406GG 140040406GG 140040408GG 160040406GG 160040408GG | Drill Mounting D1 = 1 Luminaire D2 = 2 @ 180° D3 = 3 @ 120° D4 = 4 @ 90° D5 = 2 @ 90° D6 = 3 @ 90° Tenon Mounting P2 = 2.38" OD x 4.00" P3 = 3.50" OD x 6.00" P4 = 4.00" OD x 6.00" P5 = 2.88" OD x 4.00" P7 = 2.38" OD x 5.00" PA = 3.50" OD x 12.00" PQ = 2.38" OD x 12.00" PD = 3.00" OD x 3.00" -- = Plain Top P9 = Other Tenon (Contact Factory) | DWH = White DSS = Sandstone HTG = Hunter Green DNA = Natural Aluminum DCG = Charcoal Gray DMB = Medium Bronze DNB = New Dark Bronze DDB = Dark Bronze DBL = Black DSB = Steel Blue DTG = Dark Green DBR = Red SC = Special Color (Contact Factory) | See Decorative Accessories or Decorative Arms - Aluminum at valmontstructures.com (Please Specify) |