

Job Name: _____	Client Name: _____
Job Location - City: _____ State: _____	Created By: _____ Date: _____
Product: _____ Quote: _____	Customer Approval: _____ Date: _____

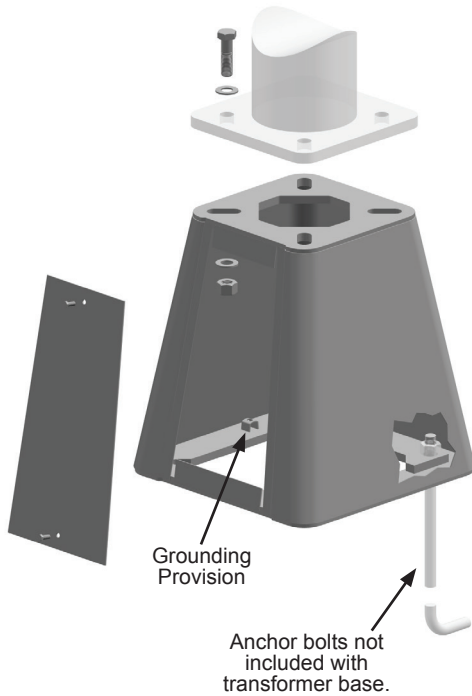
**SPECIFICATIONS**

**Transformer Base** - The steel fabricated base is a permanent, non-breakaway device. The top and bottom plates are fabricated from structural quality hot rolled carbon steel plate. The casing or shroud separating the top and bottom plates is manufactured from 3 Gauge (0.2391") material. Contact Valmont for loading restrictions.

**Access Door** - A steel access door and grounding provision is provided. The door opening is 19.50" tall, 8.00" wide at the top, and 10.50" wide at the bottom. A hinged door is available upon request.

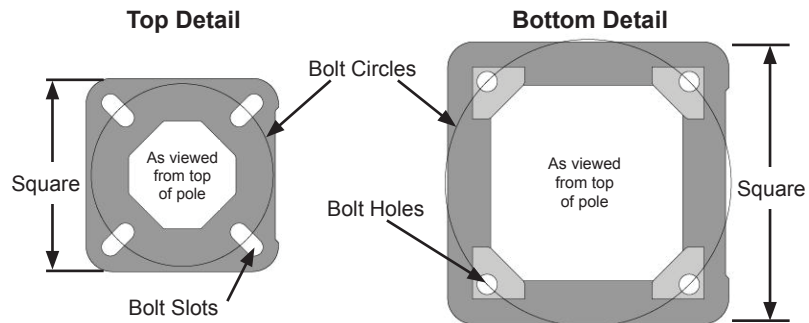
**Hardware** - Connecting bolts, flat washers, retaining lugs and hex nuts are provided per base assembly. All structural fasteners are galvanized high strength carbon steel. All non-structural fasteners are galvanized or zinc-plated carbon steel or stainless steel.

**Finish** - Standard finishes are galvanized, prime painted or any of Valmont's V-PRO™ Protection Systems. Additional finish options available upon request.



**DETAILS**

TOP PLATE					BOTTOM PLATE					HEIGHT (IN)	QTY OF ACCESS DOORS	MODEL NUMBER
BOLT CIRCLE			SQUARE (IN)	THK (IN)	BOLT CIRCLE			SQUARE (IN)	THK (IN)			
DIA (IN)	± (IN)	MAX BOLT DIA (IN)			DIA (IN)	± (IN)	MAX BOLT DIA (IN)					
14.00	1.50	1.25	14.81	1.250	22.00	0.00	1.75	21.63	1.250	24.00	1	M222



**PRODUCT ORDERING CODES**

MODEL NUMBER	HARDWARE KIT	FINISH	COLOR	V-PRO PROTECTION SYSTEM	OPTIONS
M222					
Consult factory for available product ordering codes.					