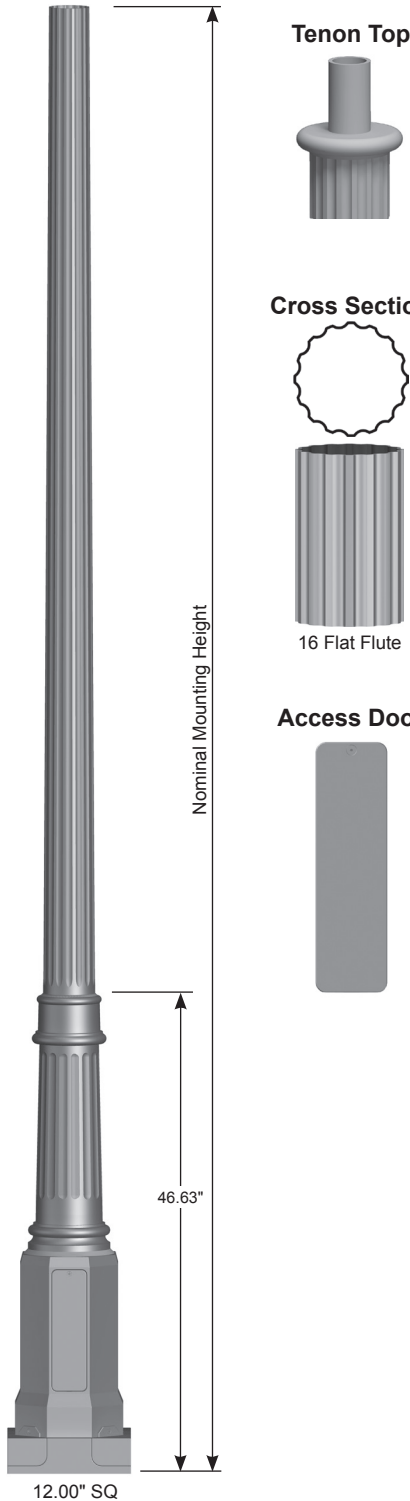
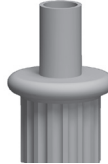


Job Name: _____	Client Name: _____
Job Location - City: _____ State: _____	Created By: _____ Date: _____
Product: WL12ASE -- Quote: _____	Customer Approval: _____ Date: _____

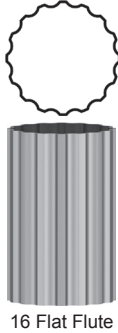
SPECIFICATIONS



Tenon Top



Cross Section



Access Door



Post - The post shaft is either spun or extruded from 6000 series alloy aluminum.

Post Top - A post top plate and tenon can be provided for top mount luminaire and/or bracket. A removable finial is provided for poles receiving drilling patterns for side-mount luminaire arm assemblies.

Structural Base - The structural base is cast from 356 alloy aluminum and provided with a 3.00" wide X 11.50" tall access door. A grounding provision is provided. The post shaft is inserted and welded into the structural base casting. The completed assembly is heat-treated to a T6 temper after the structural welding is completed.

Anchor Bolts - Anchor bolts conform to ASTM F1554 Grade 55 and are provided with two hex nuts and two flat washers. Bolts have an "L" bend on one end and are galvanized a minimum of 12" on the threaded end.

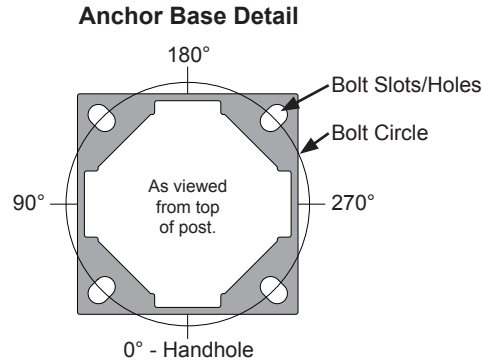
Finish - The standard finish for the post assembly and components is polyester powder applied coating in accordance with Valmont Industries' Specifications. Additional finish options available upon request.

WILLIAMSBURG Fluted Tapered/Non-Tapered Aluminum Post

Job Name: _____	Client Name: _____
Job Location - City: _____ State: _____	Created By: _____ Date: _____
Product: WL12ASE -- Quote: _____	Customer Approval: _____ Date: _____

ANCHORAGE DATA

STRUCTURAL BASE				ANCHOR BOLTS		
BOLT CIRCLE		SQUARE (IN)	THK (IN)	DIA x LENGTH x HOOK (IN)	PROJECTION (IN)	± (IN)
DIA (IN)	± (IN)					
13.125	0.50	12.00	0.750	0.75 x 17.00 x 3.00	3.50	0.25



LOAD AND DIMENSIONAL DATA

NOMINAL MOUNTING HEIGHT	DESIGN INFORMATION						POST DIMENSIONS				MODEL NUMBER
	80 MPH w/1.3 GUST ¹		90 MPH w/1.3 GUST ¹		100 MPH w/1.3 GUST ¹		BASE OD (IN)	TOP OD (IN)	WALL THK (IN)	STRUCTURE WEIGHT ³ (LBS)	
	MAX LUMINAIRE EPA ² (SQFT)	MAX LUMINAIRE WEIGHT ² (LBS)	MAX LUMINAIRE EPA ² (SQFT)	MAX LUMINAIRE WEIGHT ² (LBS)	MAX LUMINAIRE EPA ² (SQFT)	MAX LUMINAIRE WEIGHT ² (LBS)					
Fluted Non-Tapered											
8'-0"	15.0	300	11.7	300	9.4	300	4.00	4.00	0.125	80	080040404UY
	20.0	300	19.1	300	15.3	300	5.00	5.00	0.125	80	080050504UY
10'-0"	11.1	300	8.5	300	6.7	300	4.00	4.00	0.125	83	100040404UY
	18.4	300	14.3	300	11.3	300	5.00	5.00	0.125	85	100050504UY
12'-0"	8.2	300	6.2	300	4.7	300	4.00	4.00	0.125	87	120040404UY
	14.2	300	10.8	300	8.4	300	5.00	5.00	0.125	89	120050504UY
14'-0"	10.7	300	7.9	300	5.9	300	5.00	5.00	0.125	94	140050504UY
Fluted Tapered											
8'-0"	20.0	300	19.1	300	15.3	300	5.00	4.40	0.125	80	080044504VY
10'-0"	18.5	300	14.3	300	11.4	300	5.00	4.12	0.125	83	100041504VY
12'-0"	14.3	300	11.0	300	8.6	300	5.00	3.84	0.125	87	120038504VY
14'-0"	10.9	300	8.2	300	6.3	300	5.00	3.56	0.125	90	140036504VY

- EPA values are calculated using fastest mile winds.
- Maximum EPA (Effective Projected Area) and weight values are based on top mounted luminaires and/or brackets having a centroid 2'-6" above and 1'-6" eccentric to the post top at Nominal Mounting Height. Variations from sizes above are available upon inquiry at the factory. Satisfactory performance of posts is dependent upon the post being properly attached to a supporting foundation of adequate design.
- Structure Weight is a nominal value which includes the post shaft and structural base.

PRODUCT ORDERING CODES

DESIGN SERIES	CROSS SECTION	MODEL NUMBER		FIXTURE MOUNTING	COLOR	OPTIONS
WL12AS	E					
	16 Flat Flute	Fluted Round Non-Tapered 080040404UY 080050504UY 100040404UY 100050504UY 120040404UY 120050504UY 140050504UY	Fluted Round Tapered 080044504VY 100041504VY 120038504VY 140036504VY	Drill Mounting D1 = 1 Luminaire D2 = 2 @ 180° D3 = 3 @ 120° D4 = 4 @ 90° D5 = 2 @ 90° D6 = 3 @ 90° Tenon Mounting P2 = 2.38" OD x 4.00" PD = 3.00" OD x 3.00" -- = Plain Top P9 = Other Tenon (Contact Factory)	DWH = White DSS = Sandstone HTG = Hunter Green DNA = Natural Aluminum DCG = Charcoal Gray DMB = Medium Bronze DNB = New Dark Bronze DDB = Dark Bronze DBL = Black DSB = Steel Blue DTG = Dark Green DBR = Red SC = Special Color (Contact Factory)	See Decorative Accessories or Decorative Arms - Aluminum at valmontstructures.com (Please Specify)