



# DECORATIVE LAMP POST

POLE **CO50**

DECORATIVE BASE **D10M-OCT**

## TAPERED OCTAGON POLE

- Tapered, octagon composite pole shaft
- Direct Embedded and Anchor Base models
- XTREME® elastomeric urethane base cover



## Ordering Information

### SAMPLE CATALOG NUMBER LOGIC

|               | B                  | C                  | D                   | E     | F          |         |
|---------------|--------------------|--------------------|---------------------|-------|------------|---------|
| CO50-D10M-OCT | 17                 | DE                 | DGR                 | 40    |            |         |
| CO50-D10M-OCT | 17                 | AB                 | BLK                 | 30    | RC         |         |
|               | BASE & POLE DESIGN | ABOVE GRADE HEIGHT | INSTALLATION METHOD | COLOR | TENON O.D. | OPTIONS |

### B ABOVE GRADE HEIGHT

| Cat No. | Description  |
|---------|--------------|
| 6       | 6 feet/1.8M  |
| 7       | 7 feet/2.1M  |
| 8       | 8 feet/2.4M  |
| 9       | 9 feet/2.7M  |
| 10      | 10 feet/3.0M |
| 11      | 11 feet/3.4M |
| 12      | 12 feet/3.7M |
| 13      | 13 feet/4.0M |
| 14      | 14 feet/4.3M |
| 15      | 15 feet/4.6M |
| 16      | 16 feet/4.9M |
| 17      | 17 feet/5.2M |

### E TENON O.D. (OUTSIDE DIAMETER)

| Cat No. | Description                        |
|---------|------------------------------------|
| 30      | 3" (76mm) O.D. x 3"(76mm) height   |
| 40      | 4" (102mm) O.D. x 6"(178mm) height |
| 99      | Custom Tenon Size                  |

Tenons include a cast decorative ring at the top of the pole.

### F OPTIONS

| Cat No. | Description  |
|---------|--|
| RC      | Receptacle housing and a NEC approved cover. GFCI receptacle included. Standard location is 12"/305mm below the top of the pole. |

- Other accessories are shown on the Accessories specification sheet.

ABOVE GRADE HEIGHT

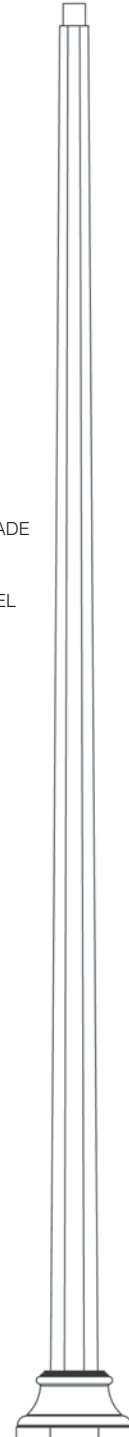
17' MODEL SHOWN

### C INSTALLATION METHOD

| Cat No. | Description     |
|---------|-----------------|
| DE      | Direct Embedded |
| AB      | Anchor Base     |

### D COLOR

| Cat No. | Description  |
|---------|--|
| BLK     | Black  |
| DBZ     | Dark Bronze  |
| DGR     | Dark Green   |
| SLV     | Silver   |
| WHT     | White  |
| GRY     | Grey   |
| CC      | Custom color - Please provide a min. 3" x 3" color chip. |
| RAL     | Please provide a four digit RAL color number.            |



HEIGHT: 9"/230MM

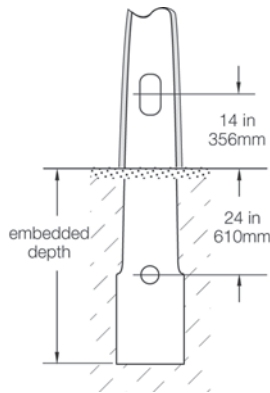
BASE DIAMETER: 16"/406MM

**Whatley - Valmont Composite Structures, Inc.**

19845 U.S. Highway 76 • Newberry, SC 29108 USA

Tel: 877.959.7678 | 803.276.5507 • Fax: 803.276.8940 • [whatley.com](http://whatley.com)

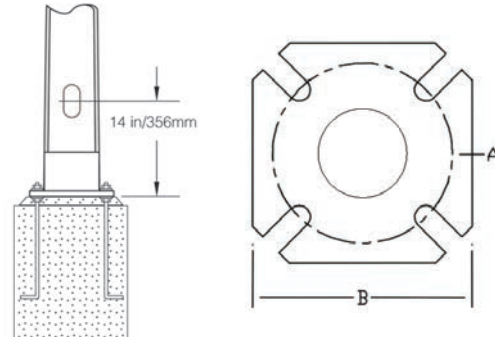
**Direct Embedded - DE**



| SHAFT LENGTH  | EMBEDDED DEPTH |
|---------------|----------------|
| 6 to 13 feet  | 3ft/.91M       |
| 14 to 21 feet | 4ft/1.2M       |

\* Embedded depths may vary per local codes, site soil conditions, drainage and very high wind conditions.

**Anchor Base Installation - AB**



| Shaft Length             | A                       | B           | Anchor Bolts |
|--------------------------|-------------------------|-------------|--------------|
| 6' to 17' (1.8M to 5.2M) | 9' to 11" (229mm-279mm) | 10" (254mm) | 3/4" x 30"   |

**Specifications**

**POLE SHAFT**

The CO50 pole shaft shall be octagon tapered, smooth with a .18"/4.6mm per foot taper. The hand hole shall be 2.5"/64mm x 5"/127mm with a cover. The shaft shall be constructed of fiberglass combined with a thermosetting resin using an advanced centrifugal cast process. The hand hole area and hardware attachment areas shall be reinforced.

The butt end of the embedded-type post shall be octagon to increase the resistance to rotation. The post shall be non-conductive and chemically inert.

**PERFORMANCE CRITERIA**

The post shall be designed with a minimum safety factor of 1.5:1 and have no more than a 15% deflection at full wind loading. The post shall deflect no more than 2.5% of the above-ground length with 100 lbs. of lateral top load. Poles shall be tested and rated per ANSI C136.20-2012.

**DIRECT EMBEDDED INSTALLATION**

Direct embedded poles shall have two 2.5 inch (64mm) diameter holes at 180° for conduit entrance 24 inches (610mm) below finished grade. Embedded depths may vary per local codes, site soil conditions, drainage and very high wind conditions.

**ANCHOR BASE**

Anchor bases shall be constructed of hot dipped galvanized steel. The base shall be factory bonded to the pole. The anchor base shall have four holes at ninety degrees, accommodating a bolt circle as indicated in the chart.

**POST TOP**

A painted aluminum or galvanized steel tenon shall be factory bonded to the pole for mounting a post-top luminaire or arm.

**FINISH**

The surface of the post shall be uniform and consistent for the entire length of the post. A UV-resistant catalyzed urethane coating shall be extremely durable and retains its gloss after a 5000 hour exposure test (ASTM G-154), with no dulling or chalking of the surface.

**ORNAMENTAL BASE COVER**

The ornamental decorative base cover shall be one or two piece and constructed of a proprietary elastomeric urethane and finished to match the post. The base shall be corrosion free and extremely resistant to impact and chipping.

**WARRANTY**

The products shall be warranted to be free of defects for three years from the date of shipment from the factory.

**Wind Loading Data for**

**Direct Embedded and Anchor Base**

| Cat No. | Description  | WT | WIND SPEED (MPH) WITH 3 SECOND GUST FACTOR |      |      |      |      |      |      |
|---------|--------------|----|--|------|------|------|------|------|------|
|         |              |    | 90   | 100  | 110  | 120  | 130  | 140  | 150  |
| 6       | 6 feet/1.8M  | 31 | 40.1                                       | 32.1 | 26.2 | 21.8 | 18.3 | 15.6 | 13.4 |
| 7       | 7 feet/2.1M  | 37 | 35.9                                       | 28.8 | 23.4 | 19.4 | 16.3 | 13.9 | 11.9 |
| 8       | 8 feet/2.4M  | 42 | 33.4                                       | 26.7 | 21.7 | 18.0 | 15.1 | 12.8 | 11.0 |
| 9       | 9 feet/2.7M  | 48 | 31.7                                       | 25.2 | 20.5 | 16.9 | 14.2 | 12.1 | 10.4 |
| 10      | 10 feet/3.0M | 54 | 29.6                                       | 23.5 | 19.0 | 15.7 | 13.2 | 11.2 | 9.6  |
| 11      | 11 feet/3.4M | 59 | 28.6                                       | 22.7 | 18.3 | 15.1 | 12.7 | 10.7 | 9.2  |
| 12      | 12 feet/3.7M | 65 | 27.5                                       | 21.8 | 17.5 | 14.4 | 12.1 | 10.2 | 8.7  |
| 13      | 13 feet/4.0M | 70 | 26.3                                       | 20.7 | 16.6 | 13.6 | 11.4 | 9.6  | 8.2  |
| 14      | 14 feet/4.3M | 76 | 24.1                                       | 18.9 | 15.1 | 12.3 | 10.3 | 8.7  | 7.4  |
| 15      | 15 feet/4.6M | 81 | 24.0                                       | 18.8 | 14.9 | 12.2 | 10.1 | 8.6  | 7.3  |
| 16      | 16 feet/4.9M | 87 | 23.0                                       | 17.9 | 14.2 | 11.5 | 9.6  | 8.1  | 6.8  |
| 17      | 17 feet/5.2M | 93 | 21.9                                       | 17.0 | 13.4 | 10.8 | 9.0  | 7.5  | 6.4  |

Wind speed values are for a 3-second gust per ASCE 7-05. Calculated per ANSI C136.20-2012. Assumes load 12 inches above the pole top. Safety factor = 1.5:1. Maximum weight for tenon mount is 100 lbs.

Contact factory for AASHTO or specific local codes.