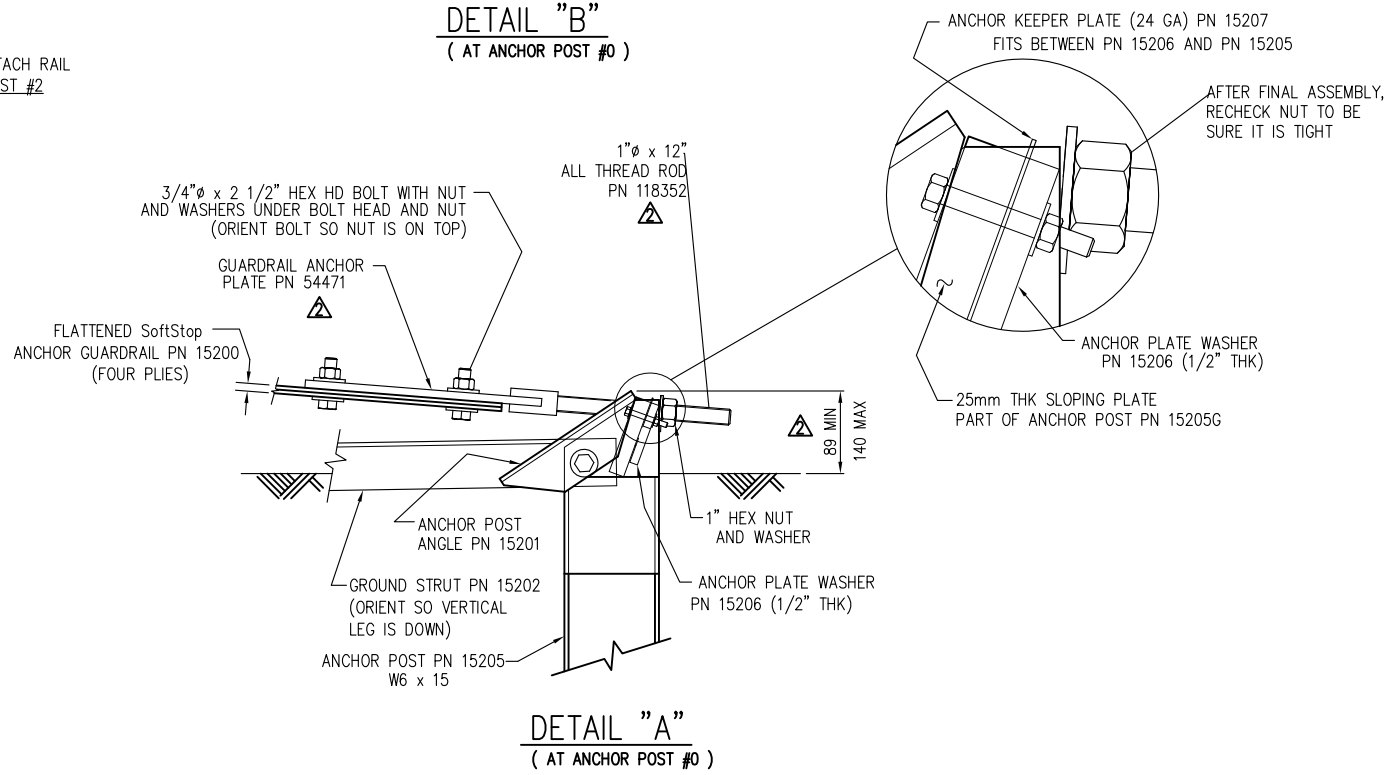
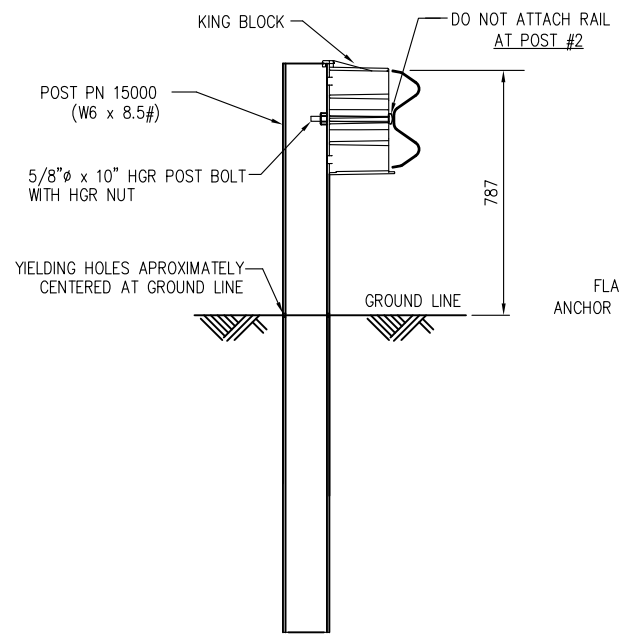
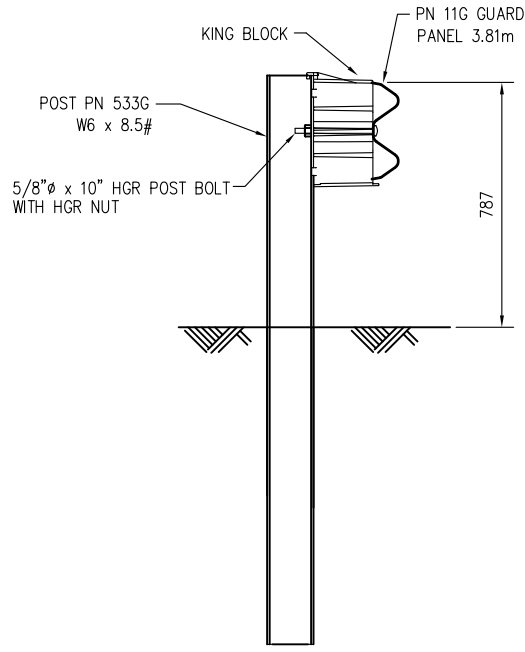
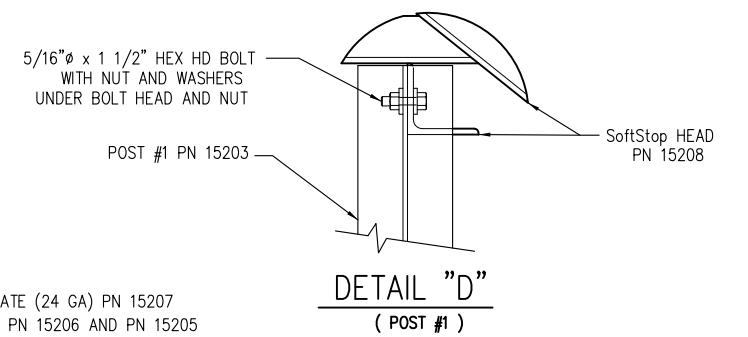
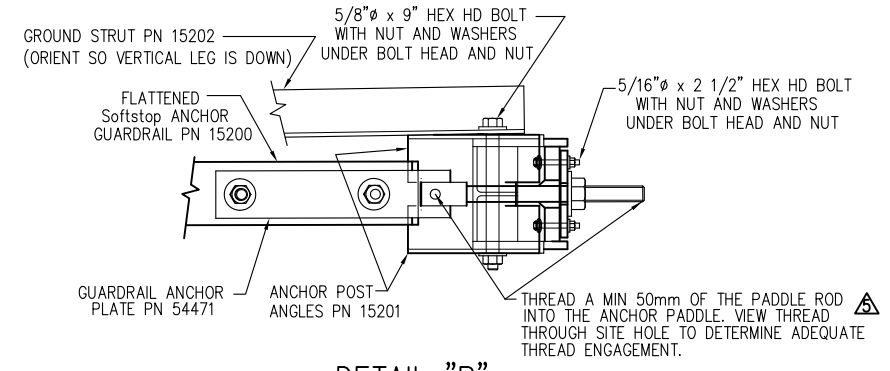
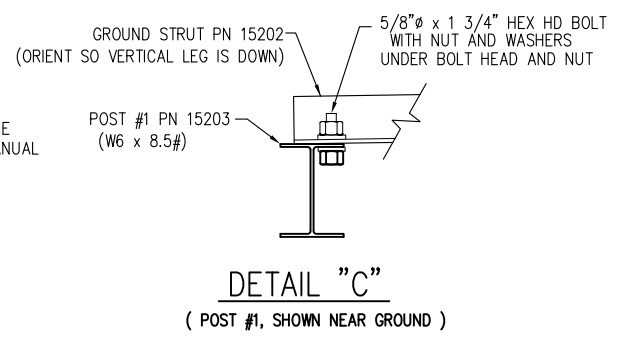


NOTE:  
INSTALL RAIL PARALLEL TO ROADWAY EDGE LINE.  
WHEN TAPER IS REQUIRED BY DESIGN ENGINEER  
A 25:1 TAPER OVER THE LENGTH OF THE SYSTEM  
IS ALLOWABLE.

- NOTES:
- REFER TO SoftStop ASSEMBLY MANUAL.
  - SoftStop IS A MASH TEST LEVEL 3 (TL-3) END TREATMENT.
  - ALL STEEL COMPONENTS HDG TO AS/NZS4680.
  - MANUFACTURER SUGGESTS CUSTOMER TO PROVIDE REFLECTORIZATION OF THE TERMINAL.
  - IT IS ACCEPTABLE TO INSTALL THE SoftStop HEAD PARALLEL TO THE GRADE LINE OR WITH AN UPWARD TILT. SEE SoftStop ASSEMBLY MANUAL FOR SPECIFIC DETAILS.



PART NUMBER	QTY	DESCRIPTION
11G	3	3.81m GUARDRAIL (12GA)
15200G	1	SoftStop ANCHOR GUARDRAIL
15208A	1	SoftStop HEAD
15203G	1	POST #1 1.46m (SYTP)
15000G	1	POST #2 1.83m (SYTP)
4076B	7	KING BLOCK
54471G	1	GUARDRAIL ANCHOR PLATE
15205A	1	ANCHOR POST #0
15201G	2	ANCHOR POST ANGLE 254mm LG
15207G	1	ANCHOR KEEPER PLATE (24 GA)
15206G	1	ANCHOR PLATE WASHER (1/2" THK)
15202G	1	GROUND STRUT x 1.43m LG
533G	6	POST #3-#8 1.83m LG
FASTENERS		
4902G	1	1" WASHER
3908G	1	1" HEX NUT
3717G	2	3/4" $\phi$ x 2 1/2" HEX HD BOLT
3701G	4	3/4" WASHER
3704G	2	3/4" HEX NUT
3360G	32	5/8" $\phi$ x 1 1/4" HGR SPLICE BOLT
3500G	7	5/8" $\phi$ x 10" HGR POST BOLT
3391G	1	5/8" $\phi$ x 1 3/4" HEX HD BOLT
4489G	1	5/8" $\phi$ x 9" HEX HD BOLT
4372G	4	5/8" WASHER
118352G	1	1" $\phi$ x 12" ALL THREAD ROD
3340G	41	5/8" HGR HEX NUT
105285G	2	5/16" $\phi$ x 2 1/2" HEX HD BOLT
105286G	1	5/16" $\phi$ x 1 1/2" HEX HD BOLT
3240G	6	5/16" WASHER
3245G	3	5/16" HEX NUT

REV	DATE	DESCRIPTION	DRAWN	CHECKED	APPROVED
0		ORIGINAL ISSUE			

DRAWING NUMBER	REFERENCE DRAWINGS

NAME	DATE
DRAWN TRIN	14-11-2012
CHECKED LG	28-05-2015
APPROVED LG	28-05-2015
SCALE VARIES @	A3
ISSUE FOR	INFORMATION ONLY

INGAL CIVIL PRODUCTS  
A valmont COMPANY

DRAWING AND CONTENTS ARE COPYRIGHT TO INGAL CIVIL PRODUCTS AND CAN ONLY BE USED WITH PRIOR WRITTEN CONSENT FROM INGAL CIVIL PRODUCTS

57-65 AIRDS ROAD MINTO, N.S.W 2566 PH. +61 2 9827 3333 www.ingalcivil.com.au

PROJECT	TITLE
INGAL CIVIL PRODUCTS PART No.	GUARDRAIL END TERMINALS SOFTSTOP GENERAL ARRANGEMENT

DRAWING No.	Rev.
SS-STD-001	0

J:\MISC\DRAWINGS\SOFTSTOP\SS-STD-001 - SOFTSTOP.GA.DWG