

ACCESSORIES



DOWN THE HOLE HAMMER



HYDRAULIC CORE BORER



EXTRACTOR KIT



For more information

[www.ingalcivil.com.au](http://www.ingalcivil.com.au)

Head Office: Sydney  
57-65 Airds Road, Minto, NSW 2566  
Ph: +61 2 9827 3333  
Fax: +61 2 9827 3300

Free call (within Australia):  
1800 803 795  
Email: [sales@ingalcivil.com.au](mailto:sales@ingalcivil.com.au)

Our Locations:  
• Adelaide • Auckland • Brisbane • Kuala Lumpur • Melbourne • Newcastle • Perth • Sydney • Wagga

HD  
800  
1000



# The World's Most Reliable Pile Driver

The crawlermounted pile driver is intended for installation of road safety barriers.

Where productivity and dependability are the essential requirement, choose **ORTECO**.



## HEAVY DUTY SEMOBILE CRAWLER MOUNTED PILE DRIVER





**BACK VIEW**

Oil-pressure pipes are well positioned behind the main frame for safety purposes in case oil under pressure came out.



**SOUND-PROOF ENGINE**

The ORTECO pile drivers are equipped with sound-proof engines of excellent quality which comply with the most severe European standards for air pollution (antiparticle silencers assembled upon request).



**CONTROLS**

The ORTECO pile driver on crawler of the HD line has been especially designed to guarantee operator's safety and ergonomics. In fact, translation controls are well separated from pile driver's controls.



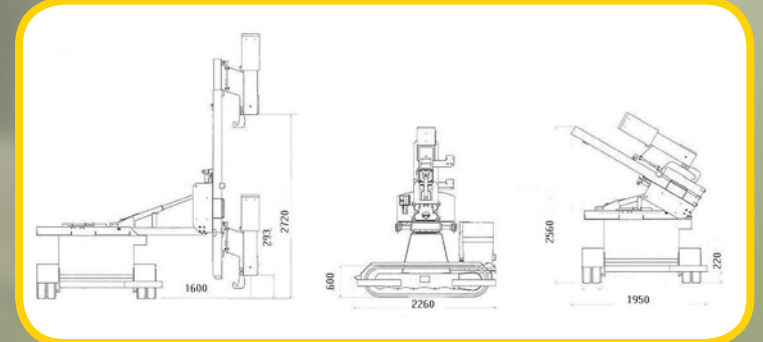
**TRANSPORT**

ORTECO pile drivers can be easily loaded inside truck bodies thanks to reduced dimensions in transport position.



TECHNICAL DATA			
MODEL:		800HDC	1000HDC
Hammer rating	joule	830	1060
Blows per minute	n.	680/720	680/720
Inclination kit		standard	standard
Extractor connection		standard	standard
Auxiliary plant for accessories		standard	standard
Hatz Diesel Engine		3L41C	3L41C
Electric starting	volt	12	12
Noise level	dbA	112	112
Horse Power (at 2600 RPM)	Kw (CV)	32,5 (44,2)	32,5 (44,2)
Max pressure	Mpa	18	18
Oil flow	dm <sup>3</sup> /min	95	110
Oil tank capacity	dm <sup>3</sup>	160	160
Diesel tank capacity	dm <sup>3</sup>	60	60
Total weight	kg	3850	3950

Manufacturer reserves the right to change the technical features above mentioned without prior notice. Pictures may show not standard accessories.



**VERTICALITY**

The vertical column may be hydraulically positioned to obtain excellent uphill or downhill pile driving.