

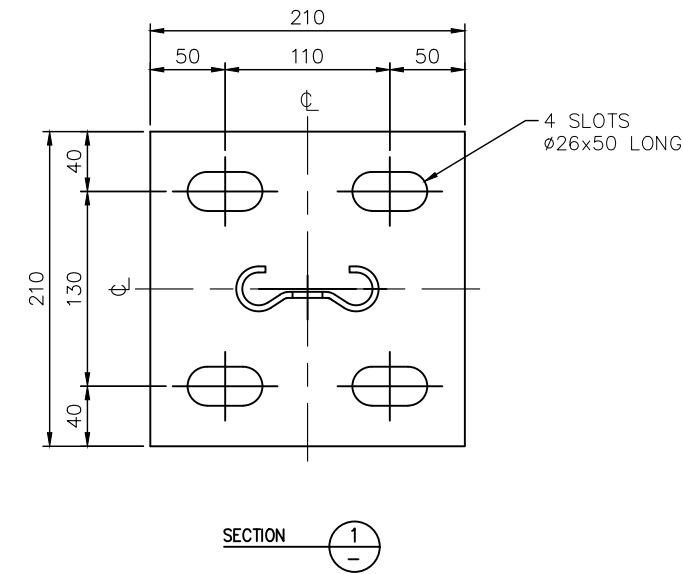
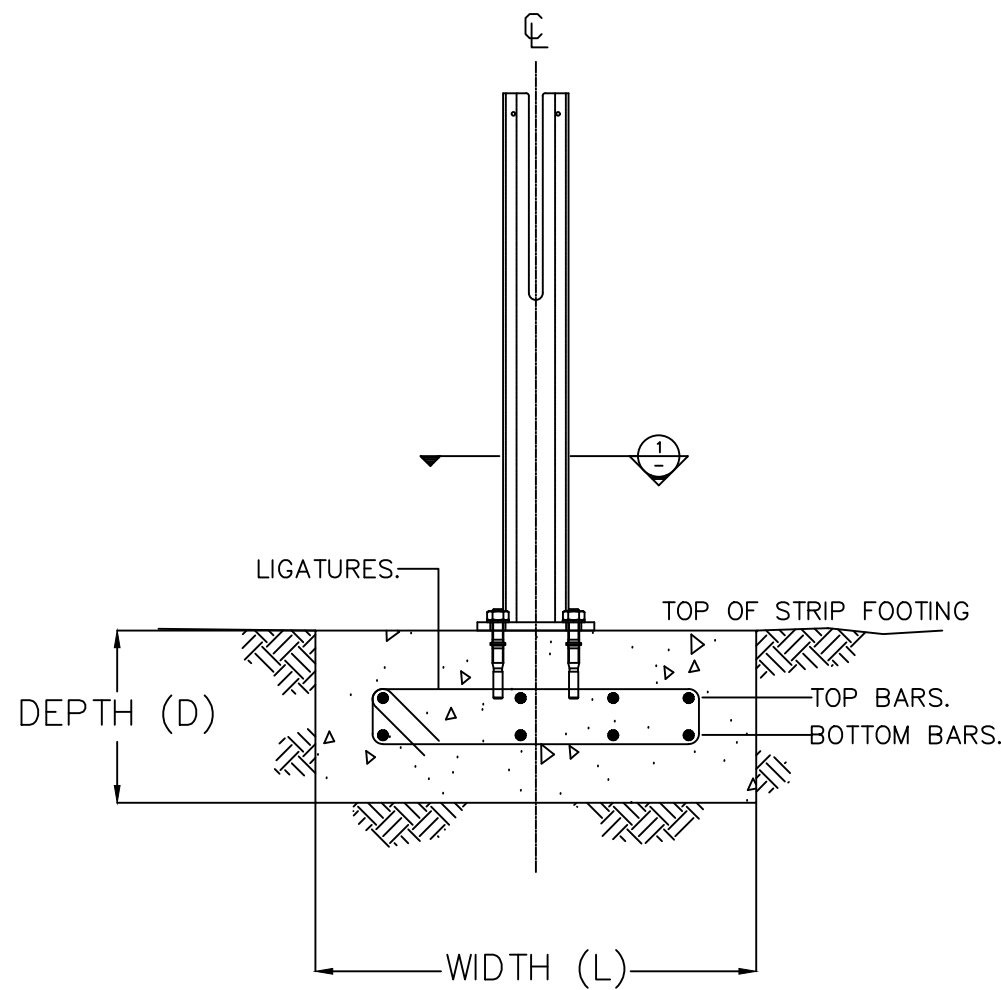
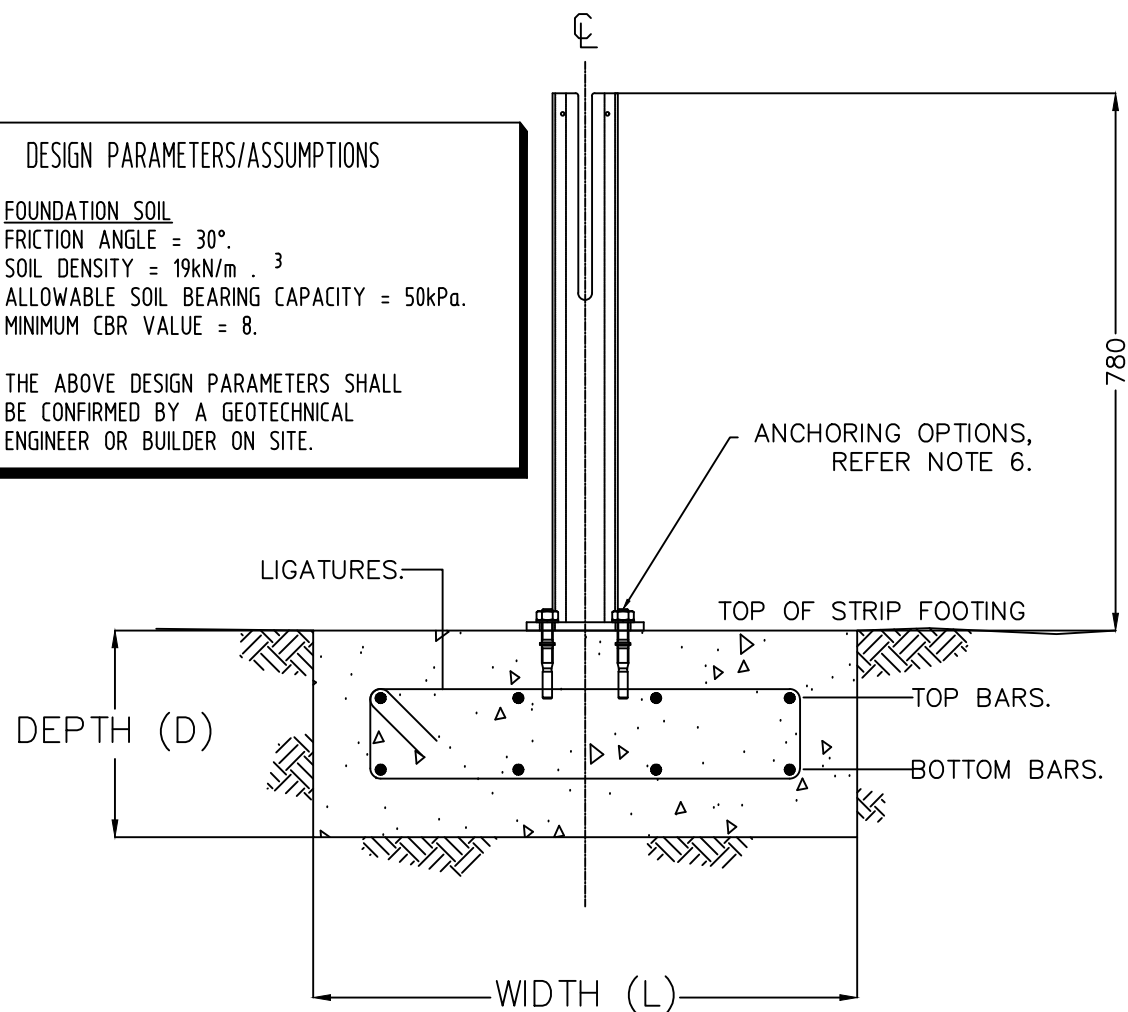
LENGTH OF FOOTING 11M

LENGTH OF FOOTING 19M

DESIGN PARAMETERS/ASSUMPTIONS

FOUNDATION SOIL
 FRICTION ANGLE = 30°.
 SOIL DENSITY = 19kN/m³
 ALLOWABLE SOIL BEARING CAPACITY = 50kPa.
 MINIMUM CBR VALUE = 8.

THE ABOVE DESIGN PARAMETERS SHALL BE CONFIRMED BY A GEOTECHNICAL ENGINEER OR BUILDER ON SITE.



STRIP FOOTING SPECIFICATIONS-REINFORCING BAR (MINIMUM LENGTH OF FOOTING = 11M)				
D MIN. DEPTH (mm)	L MIN. WIDTH (mm)	REINFORCEMENT		
		(TOP BARS)	(BOTTOM BARS)	LIGATURES, 80 COVER
250	850	5-N16	5-N16	R10-300 CTS.
300	790	4-N16	4-N16	R10-300 CTS.
350	740	4-N16	4-N16	R10-300 CTS.
400	700	4-N16	4-N16	R10-300 CTS.

STRIP FOOTING SPECIFICATIONS-REINFORCING BAR (MINIMUM LENGTH OF FOOTING = 19M)				
D MIN. DEPTH (mm)	L MIN. WIDTH (mm)	REINFORCEMENT		
		(TOP BARS)	(BOTTOM BARS)	LIGATURES, 80 COVER
250	640	4-N16	4-N16	R10-300 CTS.
300	590	3-N16	3-N16	R10-300 CTS.
350	550	3-N16	3-N16	R10-300 CTS.
400	510	3-N16	3-N16	R10-300 CTS.

- NOTES:**
- ALL DIMENSIONS IN MILLIMETRES.
 - MINIMUM STRENGTH OF CONCRETE FOOTING – 32MPa.
 - MINIMUM CLEAR COVER TO BE 80mm
 - FOR SITES WITH UNCONVENTIONAL GEOMETRIES, HIGH WATER TABLES, ALTERNATIVE SOIL TYPES OR UNUSUAL SITE SPECIFIC VARIABLE, ALTERNATIVE FOOTING DESIGNS WILL BE REQUIRED. PLEASE SEEK ADVICE FROM A QUALIFIED GEOTECHNICAL ENGINEER OR YOUR LOCAL INGAL SALES REPRESENTATIVE.
 - FOR MIXED SOIL TYPES, A CONSERVATIVE APPROACH OF ASSUMING THE WEAKER SOIL PROPERTIES FOR THE FULL DEPTH IS RECOMMENDED.

- NOTES CONTINUED:**
- ANCHORING OPTIONS:
 OPTION 1: REID ELEPHANT FOOT FERRULES M20 x 95 (FE20095GH), WITH M20 x 40 G8.8 SET SCREW AND WASHER. WHERE POSSIBLE, REO CROSSBAR SHOULD BE THREADED THROUGH CROSS HOLE IN FERRULE TO IMPROVE ANCHOR ALIGNMENT. REID THREADED INSERT M20 x 120 (TIM20X120) ALSO SUITABLE.
 OPTION 2: RAMSET CHEMSET ANCHOR STUDS WITH EPCON C8 CHEMICAL ANCHOR EPOXY. M20 x 215 m Grade 8.8 WITH MIN EMBEDMENT 150mm. IF USED IN RETROFIT LOCATIONS, THE DESIGNER SHALL CONFIRM SUITABILITY OF FOUNDATION BEFORE INSTALLATION.
 OPTION 3: NZTA CAST IN BRACKET, REFER DRAWING WR-STD-88.

REV	DATE	DESCRIPTION	DRAWN	CHECKED	APPROVED
4	16-11-18	STRIP FOOTING SPECIFICATIONS UPDATED (REINFORCING BAR)	VB	LG	LG
3	11-04-18	NOTE 6 ADDED	WD	LG	LG
2	20-10-17	REO DETAIL UPDATED	GHC	LG	LG
1	14-11-16	FOOTING DIMS, BASEPLATE & NOTES UPDATED	MC	LC	MC

DRAWING NUMBER	REFERENCE DRAWINGS

	NAME	DATE
DRAWN	AUSTEC	20/06/2011
CHECKED	TC	20/06/2011
APPROVED	TC	20/06/2011
SCALE	NTS	
SIZE	A1	

INGAL CIVIL PRODUCTS
 57-65 AIRDS ROAD
 MINTO, N.S.W
 AUSTRALIA 2566
 PH. +61 2 9827 3333
 FAX +61 2 9827 3300
 www.ingalcivil.com.au

DRAWING AND CONTENTS ARE COPYRIGHT TO INGAL CIVIL PRODUCTS AND CAN ONLY BE USED WITH PRIOR WRITTEN CONSENT FROM INGAL CIVIL PRODUCTS

PROJECT	TITLE
SAFENCE WIRE ROPE SAFETY BARRIER	POST ON BASE PLATE

INGAL CIVIL PRODUCTS REFERENCE No.	DRAWING No.
	WR-NZ-STD-83