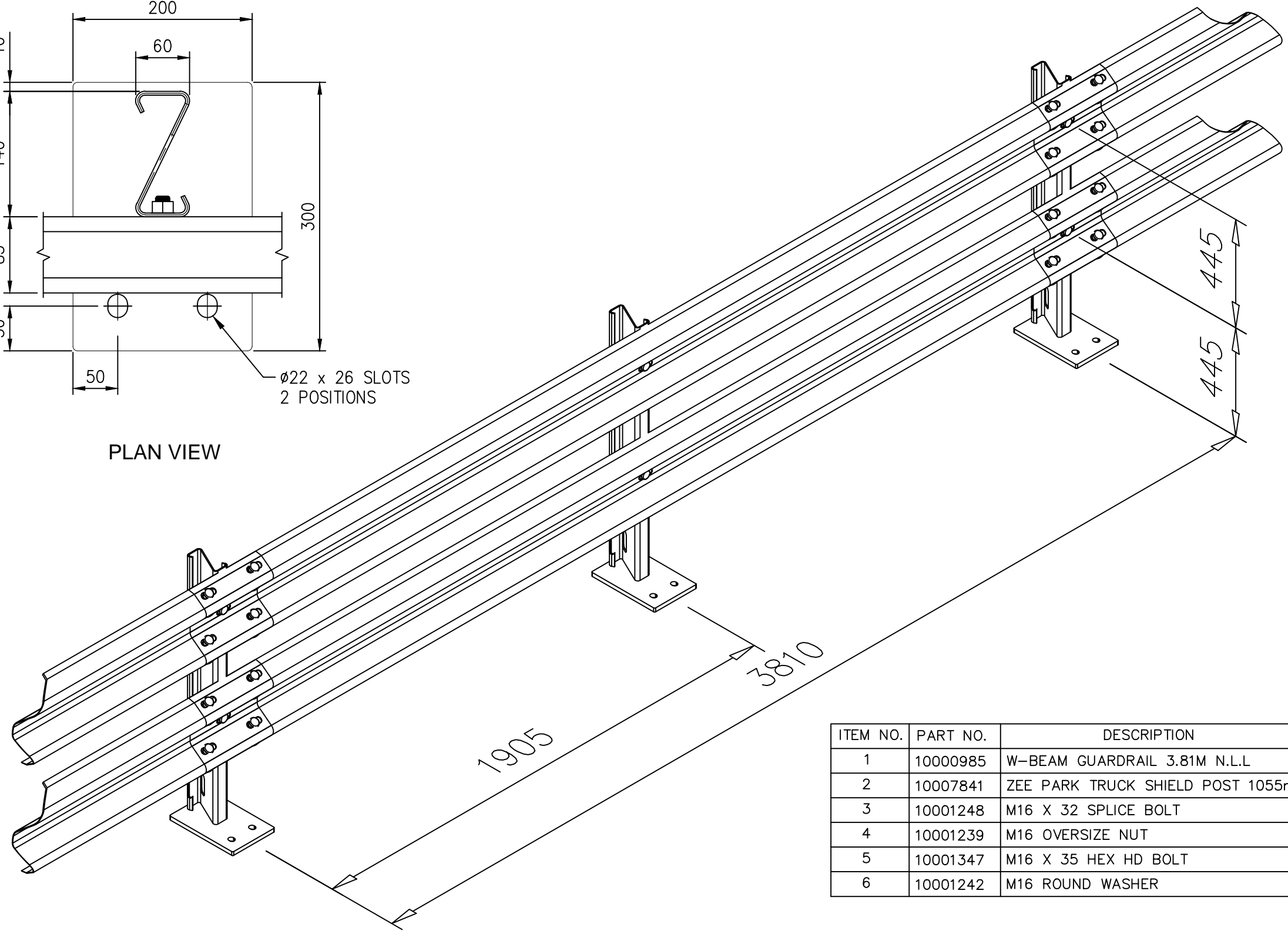



PLAN VIEW



ITEM NO.	PART NO.	DESCRIPTION	KIT QTY
1	10000985	W-BEAM GUARDRAIL 3.81M N.L.L	2
2	10007841	ZEE PARK TRUCK SHIELD POST 1055mm OALL	2
3	10001248	M16 X 32 SPLICE BOLT	16
4	10001239	M16 OVERSIZE NUT	20
5	10001347	M16 X 35 HEX HD BOLT	4
6	10001242	M16 ROUND WASHER	4

**NOTES:**  
 1. TO BE INSTALLED AS PER THE 'CARPARK & INDUSTRIAL BARRIERS' PRODUCT MANUAL

REVISIONS							REFERENCES			 A valmont COMPANY DRAWING AND CONTENTS ARE COPYRIGHT TO INGAL CIVIL PRODUCTS AND CAN ONLY BE USED WITH PRIOR WRITTEN CONSENT FROM INGAL CIVIL PRODUCTS 57-65 AIRDS ROAD MINTO, N.S.W 2566 PH. +61 2 9827 3333 www.ingalcivil.com.au	PROJECT		INGAL CIVIL PRODUCTS PART No.		
								DRAWN			MC	11-05-16	TITLE		DRAWING No.
								CHECKED			PP	11-05-16	NZ ZEE PARK TRUCK SHIELD ISOMETRIC ASSEMBLED VIEW		STB-051
								APPROVED							
REV	DATE	DESCRIPTION	DRAWN	CHECKED	APPROVED	DRAWING NUMBER	REFERENCE DRAWINGS	SCALE	N.T.S. @ A3	ISSUE FOR	INFORMATION ONLY	Rev: 1			