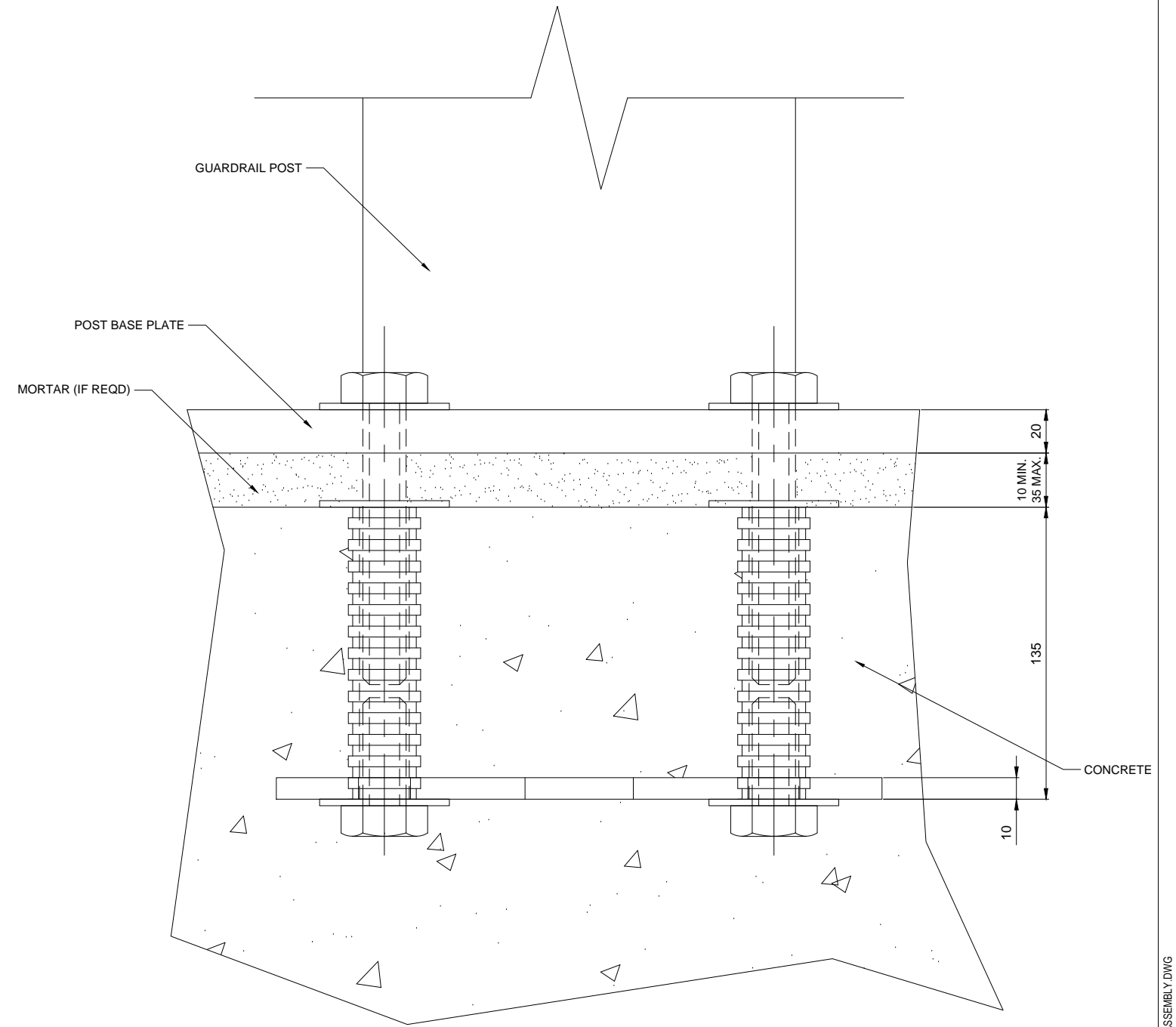
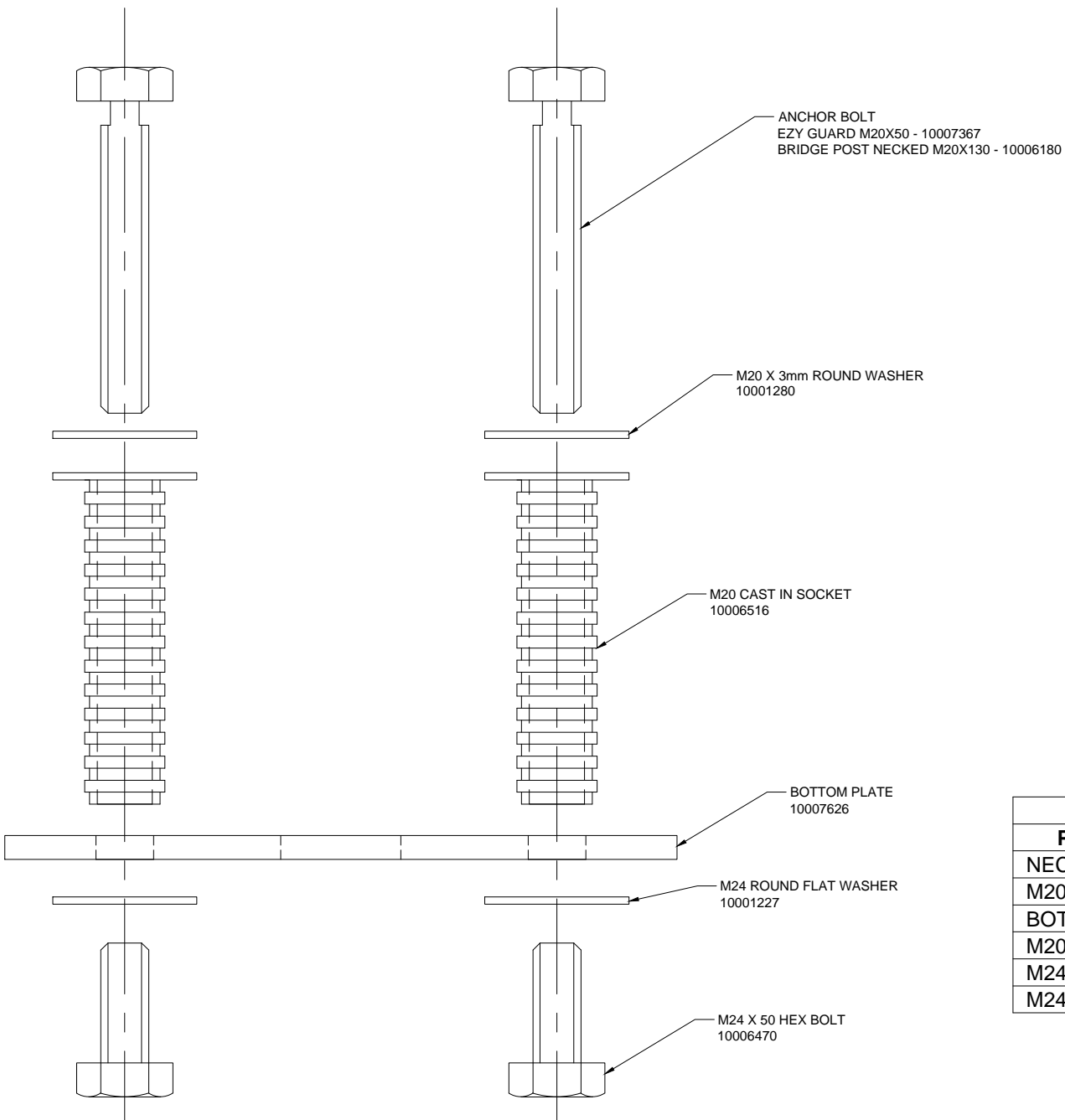


PLAN VIEW



INSTALLED DETAIL

BILL OF MATERIALS		
PART DESCRIPTION	QTY	PART NO.
NECKED M20 X 130	2	10006180
M20 X 3mm WASHER	2	10001280
BOTTOM PLATE	1	10007626
M20 CAST-IN SOCKET	2	10006516
M24 X 50 HEX BOLT	2	10006470
M24 ROUND FLAT WASHER	2	10001227

REV	DATE	DESCRIPTION	DRAWN	CHECKED	APPROVED
0		ORIGINAL ISSUE			

REV	DATE	DESCRIPTION	DRAWN	CHECKED	APPROVED

NAME	DATE
DRAWN MC	29-03-16
CHECKED SE	29-03-16
APPROVED LG	29-03-16

INGAL CIVIL PRODUCTS
A valmont COMPANY

DRAWING AND CONTENTS ARE COPYRIGHT TO INGAL CIVIL PRODUCTS AND CAN ONLY BE USED WITH PRIOR WRITTEN CONSENT FROM INGAL CIVIL PRODUCTS

57-65 AIRDS ROAD MINTO, N.S.W 2566 PH. +61 2 9827 3333 www.ingalcivil.com.au

PROJECT	INGAL CIVIL PRODUCTS PART No. 10007927
TITLE	NZTA CAST-IN BRACKET ASSEMBLY DETAIL
	DRAWING No. 10007927