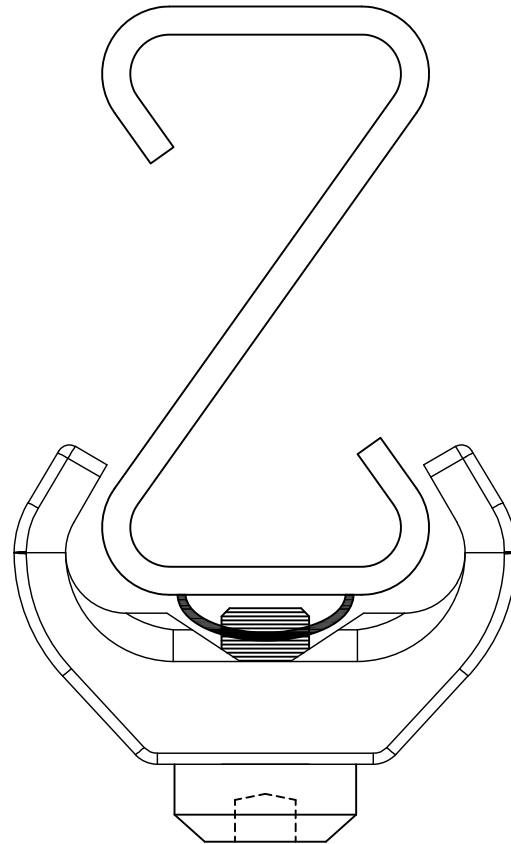
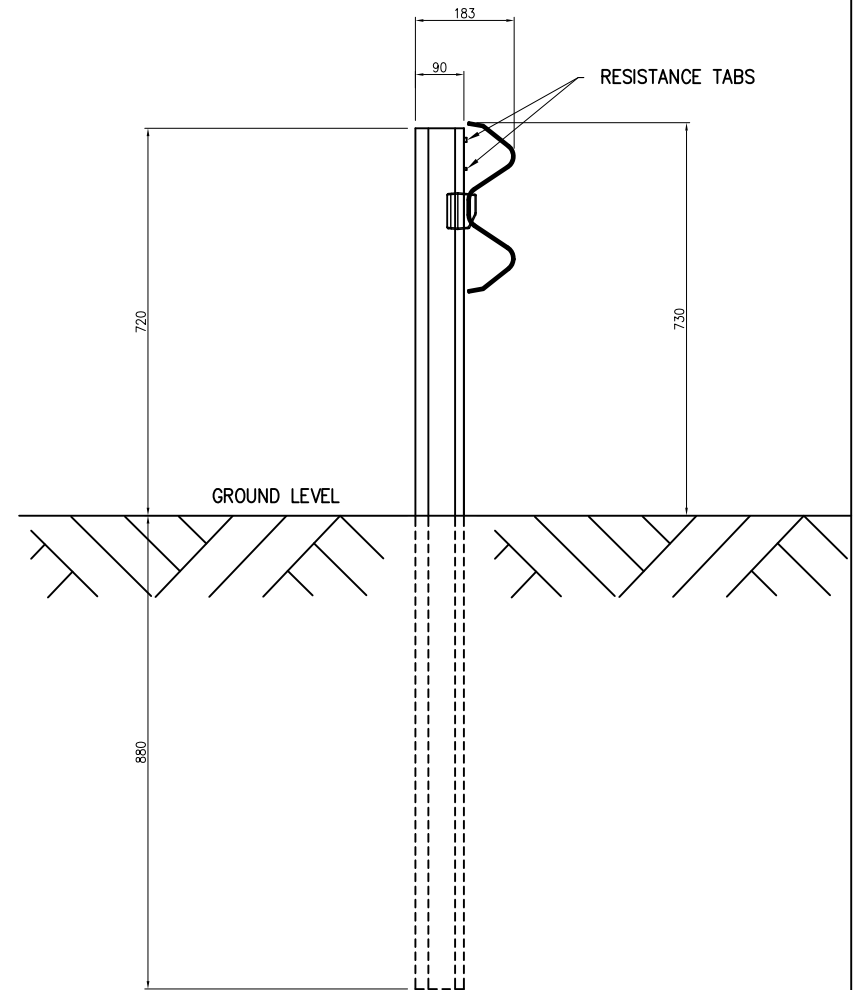


**Z-POST & CARRIAGE ASSEMBLY**  
ISOMETRIC VIEW



**Z-POST & CARRIAGE ASSEMBLY**  
PLAN VIEW



**Z-POST & CARRIAGE ASSEMBLY**  
SIDE VIEW

REVISIONS

REV	DATE	DESCRIPTION	DRAWN	CHECKED	APPROVED
1	06/03/2015	DM ADDITION	LG	IT	LG
0	01/04/11	ISSUED FOR INFORMATION	DJB	TC	

REFERENCES

DRAWING NUMBER	REFERENCE DRAWINGS

	NAME	DATE
DRAWN	DJB	01/04/2011
CHECKED	TC	01/04/2011
APPROVED		
SCALE	NTS	
SIZE	A1	



INGAL CIVIL PRODUCTS  
57-65 ARDS ROAD  
MINTO, N.S.W  
AUSTRALIA 2566  
PH. +61 2 9827 3333  
FAX +61 2 9827 3300  
www.ingalcivil.com.au

DRAWING AND CONTENTS ARE COPYRIGHT TO  
INGAL CIVIL PRODUCTS AND CAN ONLY BE USED  
WITH PRIOR WRITTEN CONSENT FROM INGAL CIVIL  
PRODUCTS

PROJECT	TITLE
EZY-GUARD SMART	ASSEMBLY DETAIL - SHEET 2 of 2

INGAL CIVIL PRODUCTS REFERENCE No.	DRAWING No.
	EZY-SM-006