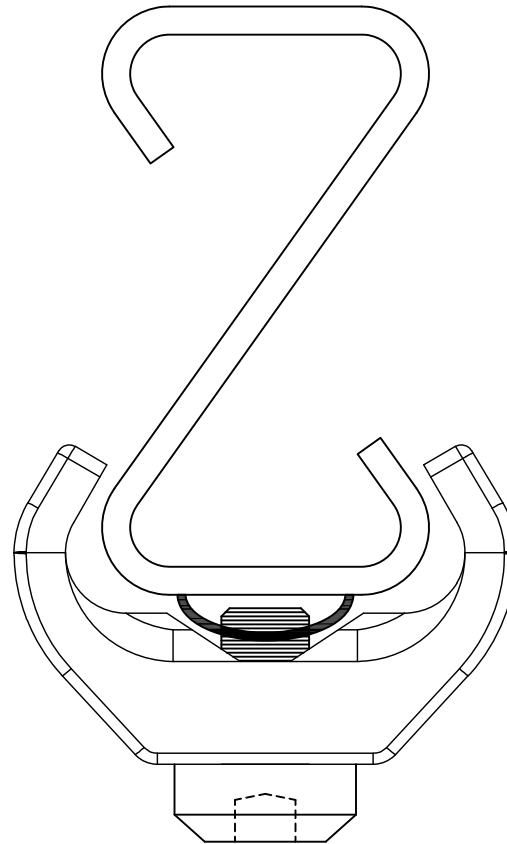
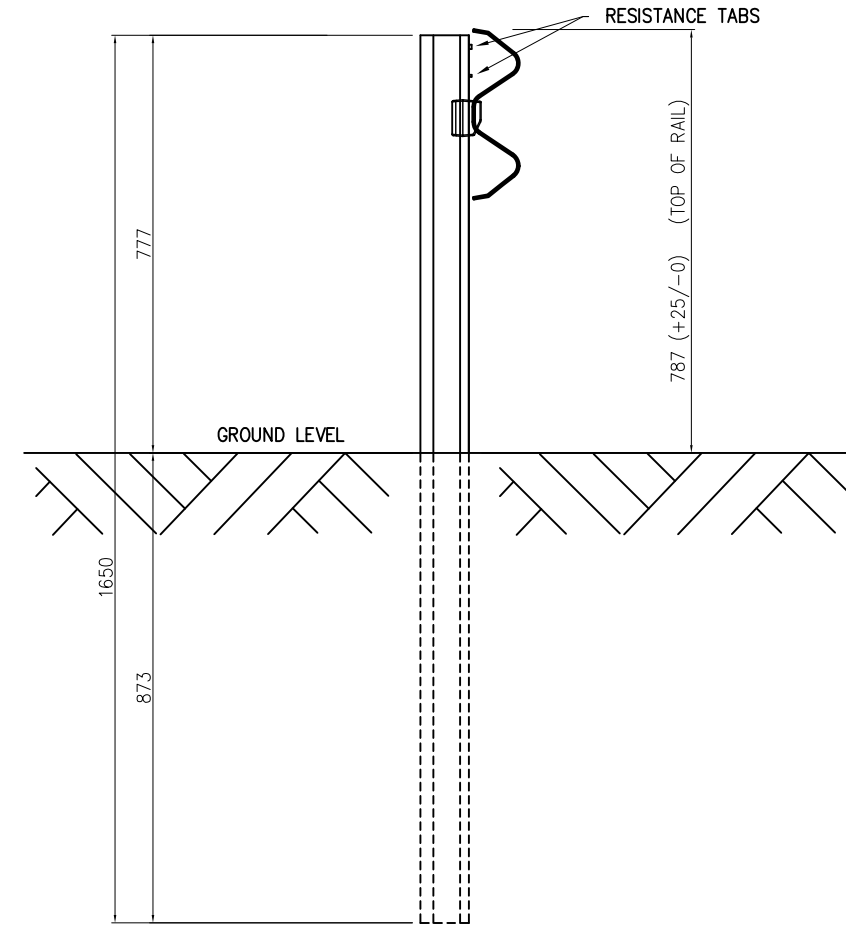


**Z-POST & CARRIAGE ASSEMBLY**  
ISOMETRIC VIEW



**Z-POST & CARRIAGE ASSEMBLY**  
PLAN VIEW



**Z-POST & CARRIAGE ASSEMBLY**  
SIDE VIEW

TO BE READ IN CONJUNCTION WITH EZY-SM-121

REV	DATE	DESCRIPTION	DRAWN	CHECKED	APPROVED	DRAWING NUMBER	REFERENCE DRAWINGS	NAME	DATE
4	02-03-2016	TOLERANCE ADDED	LG					DJB	01/12-2014
3	01-04-2015	NAME CHANGE (4)	LG	LG	LG			LG	10/12/2014
2	13-01-2015	DM MOD	DJB	LG	LG				
1	11-12-2014	DM CORRECTION	DJB	LG					

REV	DATE	DESCRIPTION	DRAWN	CHECKED	APPROVED	DRAWING NUMBER	REFERENCE DRAWINGS	SCALE	SIZE
								NTS	A1

	INGAL CIVIL PRODUCTS 57-65 AIRDS ROAD MINTO, N.S.W. AUSTRALIA 2566 PH. +61 2 9827 3333 FAX +61 2 9827 3300 www.ingalcivil.com.au	<b>PROJECT</b> EZY-GUARD 4	<b>INGAL CIVIL PRODUCTS</b> REFERENCE No.
	DRAWING AND CONTENTS ARE COPYRIGHT TO INGAL CIVIL PRODUCTS AND CAN ONLY BE USED WITH PRIOR WRITTEN CONSENT FROM INGAL CIVIL PRODUCTS	<b>TITLE</b> ASSEMBLY DETAIL 787mm RAIL HEIGHT	<b>DRAWING No.</b> EZY-SM-034