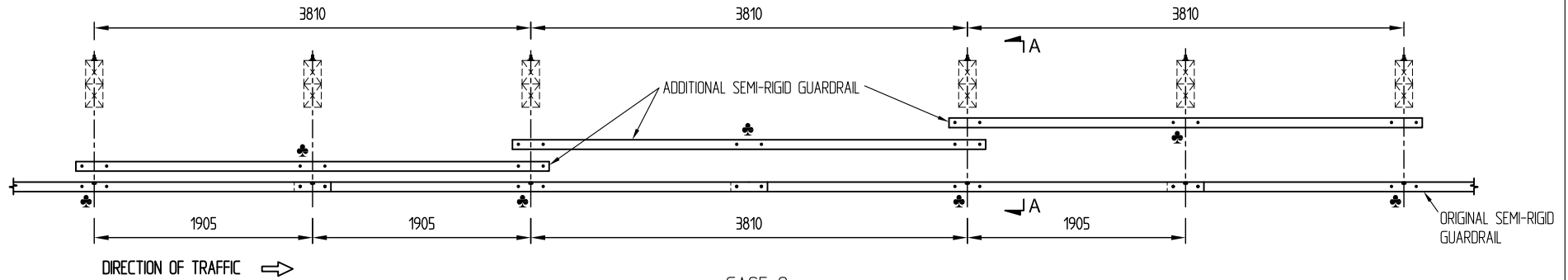
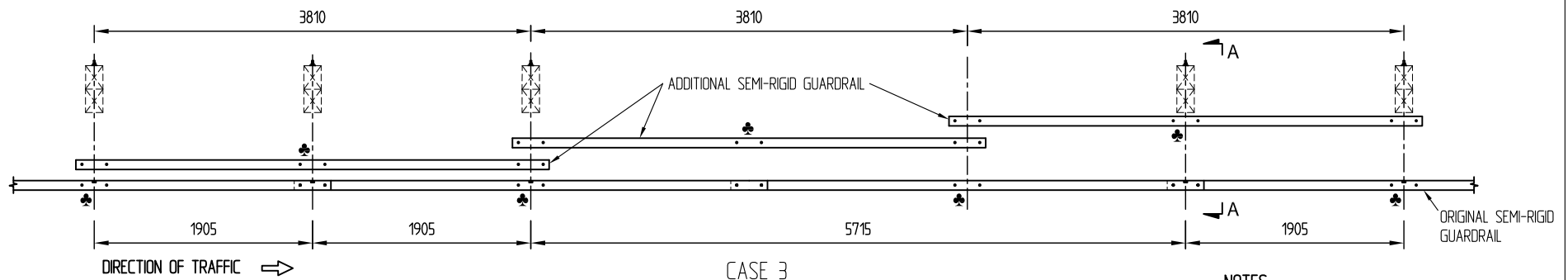


CASE 1
ONE POST OMITTED - NESTED SPLICE IN CENTER OF SPAN

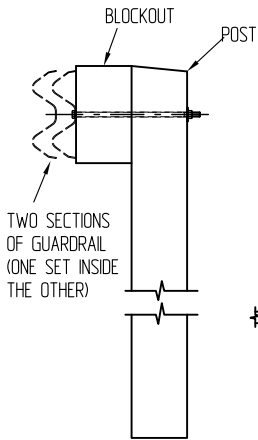


CASE 2
ONE POST OMITTED - NESTED SPLICE AT POSTS



CASE 3
TWO POSTS OMITTED - NESTED SPLICE IN CENTER OF SPAN AND AT POSTS

- NOTES:**
1. WITH ALL NEW INSTALLATIONS ADDITIONAL LENGTHS OF RAIL MUST BE INSTALLED BEHIND THE MAIN GUARDRAIL RUN
 2. USE CASE 1 OR CASE 2 WHEN ONE POST IS OMITTED.
 3. USE CASE 3 WHEN TWO POSTS ARE OMITTED.
 4. IF MORE THAN TWO POSTS ARE TO BE OMITTED REFER TO THE ROAD CONTROLLING AUTHORITY FOR ADVICE.
 5. ALL DIMENSIONS ARE IN MM



SECTION 'A-A'

No.	Revision	Date	Approved	Date
2	Midspan splice holes in guardrail shown	20/01/12		
1	Original semi-rigid guardrail rearranged	06/12/11		



Series	Road Safety Barriers
Title	Long Span Nested Guardrail

Ref./Number	RSB-4
Rev.	2