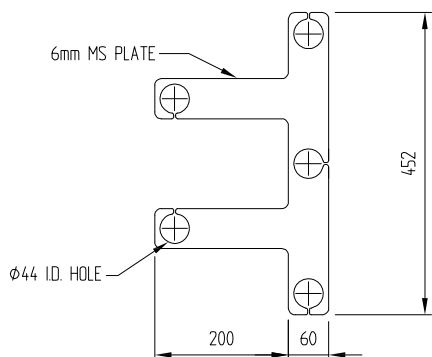
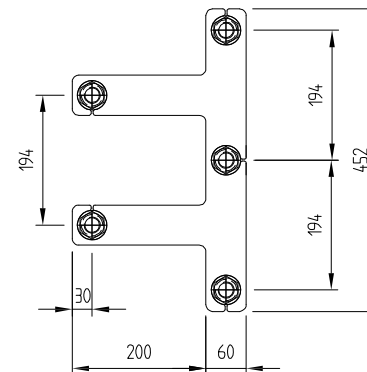


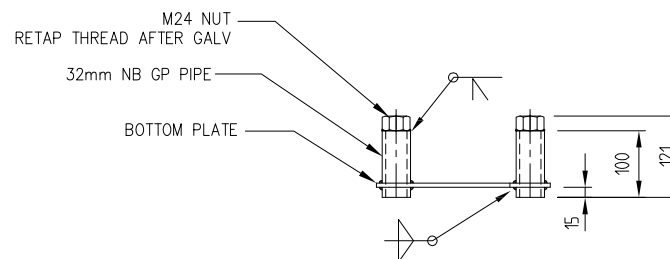
PLAN - 3mm TEMPLATE



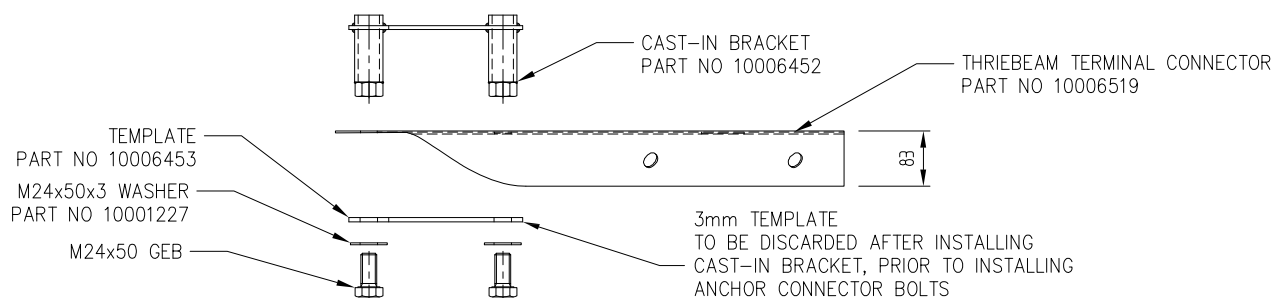
PLAN - 6mm BOTTOM PLATE



PLAN



ELEVATION



ELEVATION

NOTES:
WEIGHT: 13kg

REV	DATE	DESCRIPTION	DRAWN	CHECKED	APPROVED
0	28/08/15	ORIGINAL ISSUE	MC	LG	LG

DRAWING NUMBER	REFERENCE DRAWINGS

NAME	DATE
DRAWN MC	28/08/15
CHECKED LG	31/08/15
APPROVED LG	31/08/15
SCALE	N.T.S. @ A3
ISSUE FOR	INFORMATION ONLY

DRAWING AND CONTENTS ARE COPYRIGHT TO INGAL CIVIL PRODUCTS AND CAN ONLY BE USED WITH PRIOR WRITTEN CONSENT FROM INGAL CIVIL PRODUCTS
57-65 AIRDS ROAD MINTO, N.S.W 2566 PH. +61 2 9827 3333 www.ingalcivil.com.au

PROJECT	
TITLE	THRIEBEAM CAST-IN ASSEMBLY

INGAL CIVIL PRODUCTS PART No.	10006452
DRAWING No.	10006452