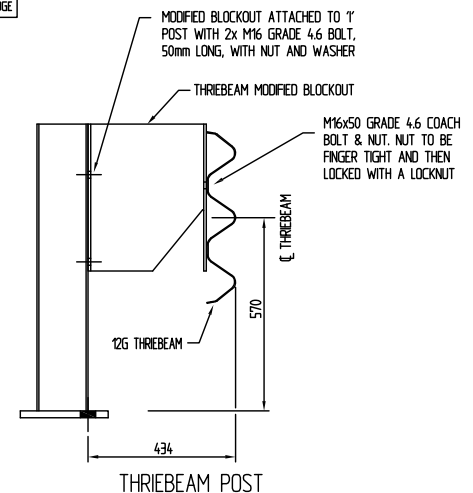
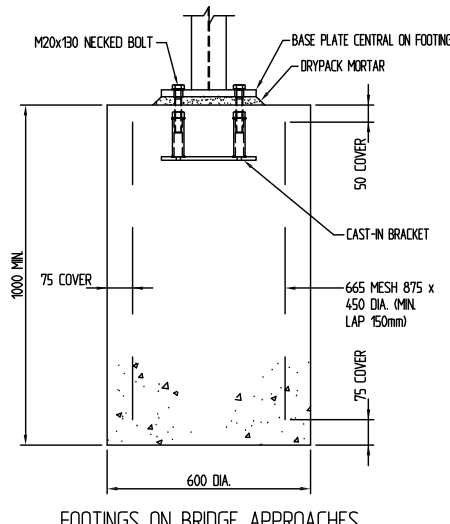


TYPICAL LAYOUT AT ABUTMENT

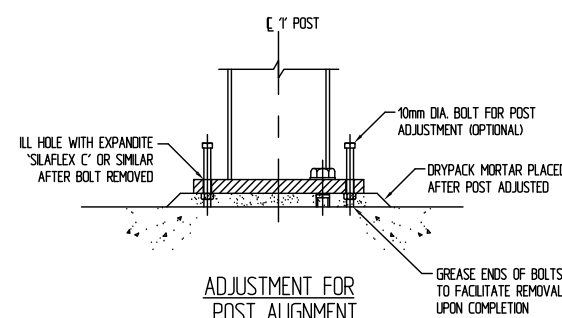


THRIEBEAM POST

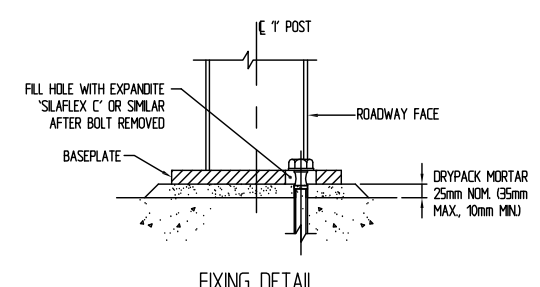
Barrier Performance Level 4



FOOTINGS ON BRIDGE APPROACHES



ADJUSTMENT FOR POST ALIGNMENT



FIXING DETAIL

NOTES:

1. ALL STEELWORK TO BE HOT DIP GALVANISED AFTER FABRICATION TO AS/ NZS 4680 AND STRAIGHTENED AFTER GALVANISING IF REQUIRED.
2. ALL STEEL WORK EXCEPT THRIEBEAM RAIL TO BE GRADE S275 TO NZS 3415 OR GRADE 250 TO AS/NZS 3678 OR EQUIVALENT.
3. TO ALLOW FOR BRIDGE MOVEMENT, NUTS OF M16 THRIEBEAM/POST FIXING BOLTS TO BE TIGHTENED FINGER TIGHT THEN LOCKED WITH LOCKNUT.
4. THRIEBEAM POSTS SHALL BE PLACED VERTICALLY IN THE TRANSVERSE BRIDGE DIRECTION AND NORMAL TO THE GRADE IN THE LONGITUDINAL BRIDGE DIRECTION.
5. ALL THRIEBEAM PANELS USED WILL BE 12 GAUGE.
6. ALL EXPOSED SHARP EDGES AND CORNERS TO BE SLIGHTLY ROUNDED BY GRINDING BEFORE GALVANISING.
7. ALL WELDING TO BE IN ACCORDANCE WITH AS/NZS 1554.1
8. DRYPACK MORTAR TO BE IN ACCORDANCE WITH NZS 3109.
9. USE OF 10mm DIA BOLTS FOR POST ADJUSTMENT IS OPTIONAL.
10. IF THE GAP BETWEEN BASE PLATE AND DECK SURFACE IS MORE THAN 35mm, A STEEL SHIM PLATE SHALL BE ADDED BELOW THE BASEPLATE, SO THAT THE MORTAR THICKNESS IS WITHIN THE LIMITS SHOWN.
11. THIS DRAWING IS TO BE READ IN CONJUNCTION WITH NZTA DRAWING B3.
12. BARRIER PERFORMANCE LEVEL 4.

REVISIONS

REV	DATE	DESCRIPTION	DRAWN	CHECKED	APPROVED
1	11-12-2015	LAYOUT CHANGE			LG

REFERENCES

DRAWING NUMBER	REFERENCE DRAWINGS

NAME	DATE
DRAWN LG	02-06-2014
CHECKED SE	
APPROVED LG	
SCALE	N.T.S. @ A3
ISSUE FOR	INFORMATION ONLY

INGAL CIVIL PRODUCTS
57-65 AIRDS ROAD
MINTO, N.S.W
AUSTRALIA- 2586
PH. +61 2 9827 3333
FAX +61 2 9827 3300
www.ingalcivil.com.au

DRAWING AND CONTENTS ARE COPYRIGHT TO
INGAL CIVIL PRODUCTS AND CAN ONLY BE USED
WITH PRIOR WRITTEN CONSENT FROM INGAL CIVIL
PRODUCTS

PROJECT	TITLE
NZ TRANSPORT AGENCY	BRIDGE BARRIER THRIE-BEAM ASSEMBLY AND FIXING DETAILS

INGAL CIVIL PRODUCTS PART No.	N/A
DRAWING No.	GR-STDNZ-058