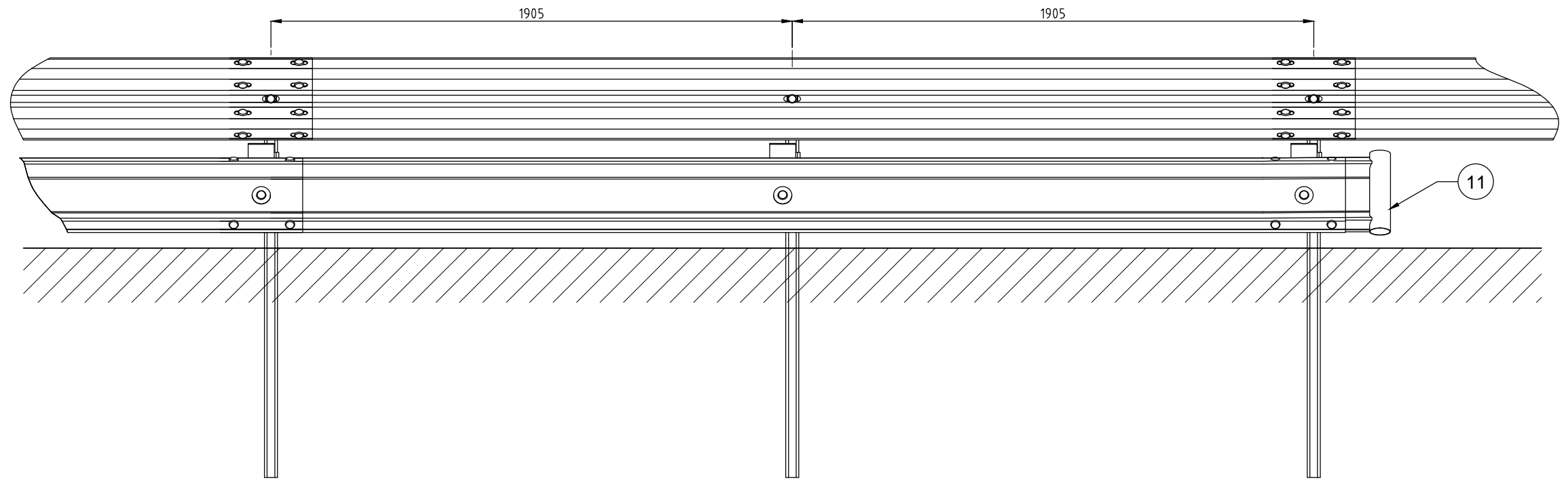
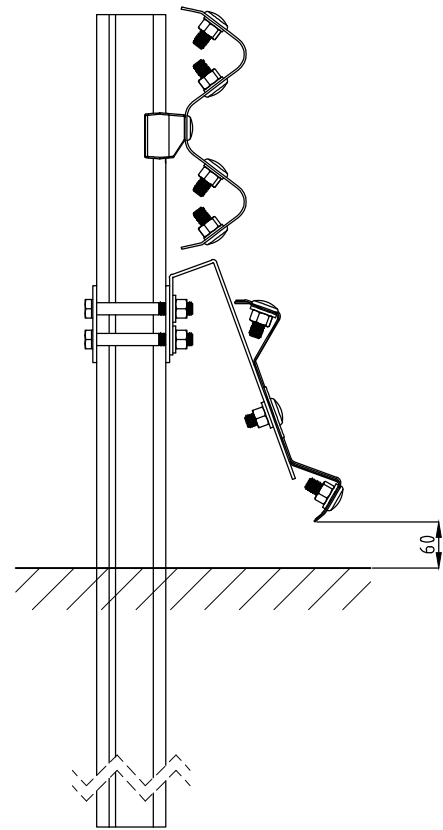
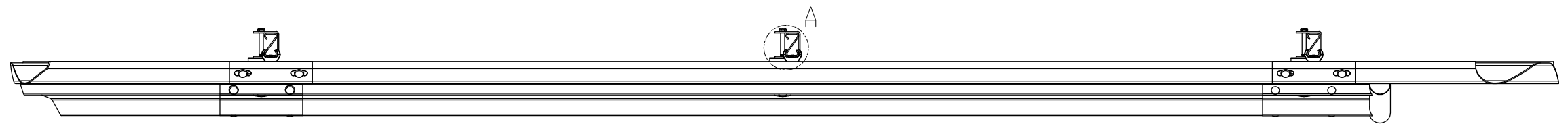
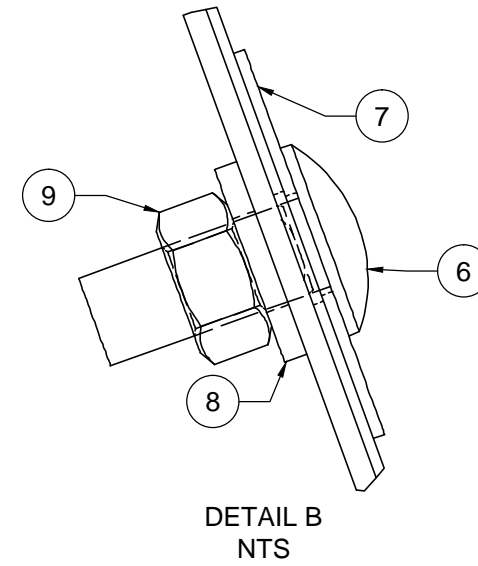
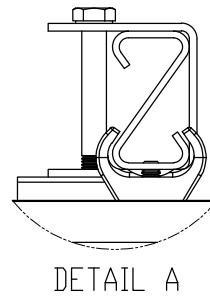
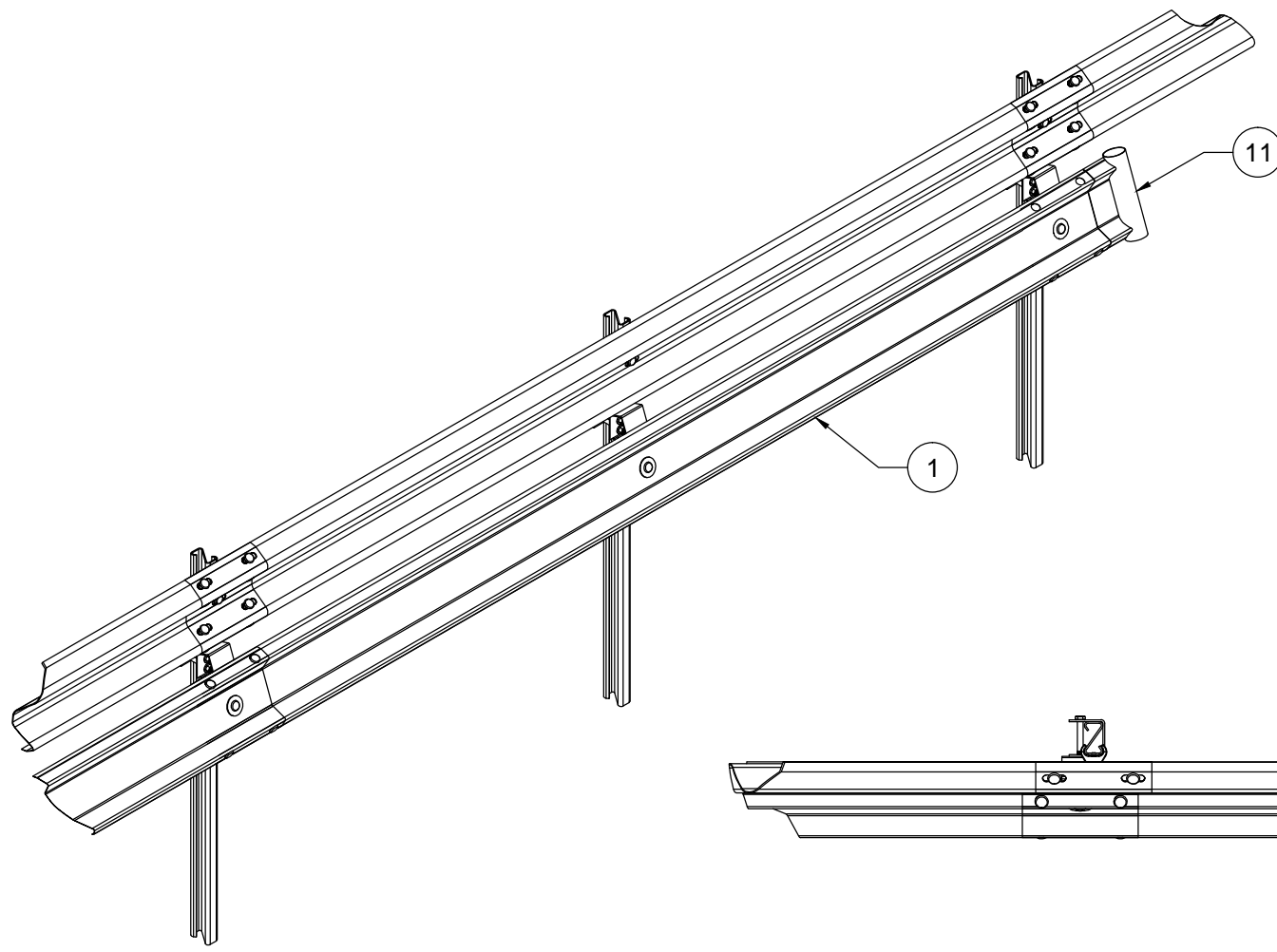


EZY-GUARD CONFIG - MPR BILL OF MATERIALS (3.81m)

ITEM	QTY	PART NUMBER	DESCRIPTION
1	1	1000XXXX	Motorcyclist protection beam
2	2	10000000	Z-Post Bracket
3	2	10006772	Rail mounting bracket
4	4	10003618	M16x130 Hex bolt
5	4	10001248	Round head bolt M16x30
6	2	10006769	Round head bolt M16x40
7	2	10006771	Slot Washer $\phi 70 \times 2$
8	10	10006770	Washer $\phi 35 \times 17 \times 4$
9	6	10001254	M16 nut
11	1	10006767	MPR END TERMINAL



NOTES:

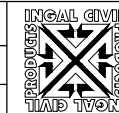
- ALL STEELWORK TO BE HOT DIP GALVANISED AFTER FABRICATION TO AS/NZS 4680 AND STRAIGHTENED AFTER GALVANISING IF REQUIRED.
- TO BE READ IN CONJUNCTION WITH EZY-GUARD PRODUCT MANUAL

REV	DATE	DESCRIPTION	DRAWN	CHECKED	APPROVED
1	20-07-2015	BOM CORRECTION - ITEM 10		LG	

DRAWING NUMBER	REFERENCE DRAWINGS

DRAWN	NAME	DATE
	A.R.	29/10/2015
	LG	29/10/2015

APPROVED	SCALE	ISSUE FOR
	N.T.S. @ A3	INFORMATION ONLY



INGAL CIVIL PRODUCTS
57-65 AIRDS ROAD
MINTO, N.S.W
AUSTRALIA 2566
PH. +61 2 9827 3333
FAX +61 2 9827 3300
www.ingalcivil.com.au

PROJECT	TITLE
	INGAL MPR MOTORCYCLIST PROTECTION 3.81m EZY-GUARD CONFIGURATION ASSEMBLY DETAILS

INGAL CIVIL PRODUCTS PART No.	DRAWING No.
	ICP-MPR-007