

STRAIGHT SQUARE COMPOSITE POLES (Anchor Base and Direct Burial)

Straight Square Composite Poles offer a unique solution to today's demanding requirements for lighting standards that enhance design.

Their contemporary look is favored by architects, engineers and planners.

The Best Finish in the Industry.



COMPOSITE POLES

ZA and ZB Series

BENEFITS

Ease of Installation

Lightweight for Easy Handling

WILL NOT RUST, ROT OR CORRODE

Dent Resistant

Non-Conductive

5-Year Warranty on Finish

4" SQUARE

- 4"x 4" Straight Square
- Mounting Heights to 25'
- Smooth Finish
- Multiple Color Options
- Tenon Top or Capped for Side Drilling
- Anchor Bolts Included (5/8"x 21"x 3")
- Base Cover Included
- 8" - 12.5" Bolt Circle

5" SQUARE

- 5"x 5" Straight Square
- Mounting Heights to 30'
- Smooth Finish
- Multiple Color Options
- Tenon Top or Capped for Side Drilling
- Anchor Bolts Included (3/4"x 30"x 3")
- Base Cover Included
- 10"-12.5" Bolt Circle



CMT

145 Wood Street
Estill, SC 29918

info@cmt-poles.com

(800) 416-4267





STRAIGHT SQUARE COMPOSITE POLES

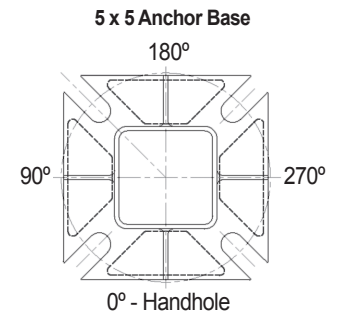
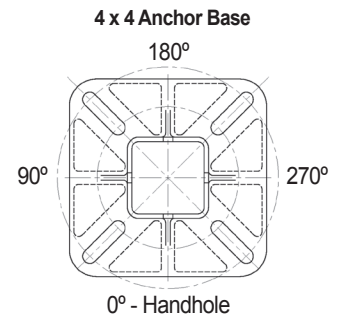
The Best Finish in the Industry

Straight Square Composite Pole 4" Profile						Anchor Base (ZA-)		Direct Burial (ZB-)	
Anchor Base (A) or Direct Burial (B)	Mounting Height (ft)	Effective Projected Area (sq ft)				Anchor Base		Direct Burial	
		90 MPH	100 MPH	110 MPH	120 MPH	Bolt Hole Circle (in)	Weight (lbs)	Shaft Length (ft)	Weight (lbs)
Z_10 - 4	10'	21.5	17.0	13.7	11.1	8" - 12.5"	27#	13'	28#
Z_15 - 4	15'	12.9	9.8	7.5	5.7	8" - 12.5"	37#	19'	40#
Z_20 - 4	20'	7.4	5.2	3.5	2.3	8" - 12.5"	47#	25'	55#
Z_25 - 4	25'	3.8	2.1	0.8	-	8" - 12.5"	57#	30'	70#

Straight Square Composite Pole 5" Profile						Anchor Base (ZA-)		Direct Burial (ZB-)	
Anchor Base (A) or Direct Burial (B)	Mounting Height (ft)	Effective Projected Area (sq ft)				Anchor Base		Direct Burial	
		90 MPH	100 MPH	110 MPH	120 MPH	Bolt Hole Circle (in)	Weight (lbs)	Shaft Length (ft)	Weight (lbs)
Z_15 - 5	15'	28.7	22.1	17.3	13.6	10" - 12.5"	99#	19'	93#
Z_20 - 5	20'	17.5	12.7	9.2	6.5	10" - 12.5"	125#	25'	123#
Z_25 - 5	25'	10.2	6.5	3.8	1.7	10" - 12.5"	150#	30'	154#
Z_30 - 5	30'	5.0	2.0	-	-	10" - 12.5"	176#	35'	180#

Product improvements may be made without prior notice.

- Reduced lead time (higher quantities may require longer lead time - consult factory)
- 30' poles require shipment by flatbed and will ship first available flatbed.
- Freight allowed \$2,000.00, prepaid and add under \$2,000.00
- ZA includes base cover and Pre-Shipped, prepaid anchor bolts
- Standard colors are Black, Bronze, White and Grey
- Standard tenon sizes are 2 3/8" and 3"
- For cut down poles use full length pole price (Ex. ZA22 use ZA25 price)
- Contact factory for pricing regarding options or modifications
- Advise Size, Location and Orientation of Drilling Requirements (Ref. Drawings)



Z A 20 - 5 BZ 3T

STRAIGHT SQUARE A = Anchor Base B = Direct Burial	MOUNTING HEIGHT 10 = 10' * 15 = 15' 20 = 20' 25 = 25' 30 = 30' ** * Available in 4" only ** Available in 5" only	SERIES 5 = 5" Square 4 = 4" Square	COLOR BK = Black GR = Grey BZ = Bronze WH = White XX = Other* * Additional Charges May Apply	POLE TOP CONFIGURATION 2T = 2 3/8" x 3 3/4" Tenon 3T = 3" x 3 3/4" Tenon 19 = 1 @ 90 Degree 29 = 2 @ 90 Degree 39 = 3 @ 90 Degree 49 = 4 @ 90 Degree 28 = 2 @ 180 Degree ND = Capped (No Drilling)
--	--	---	---	---

