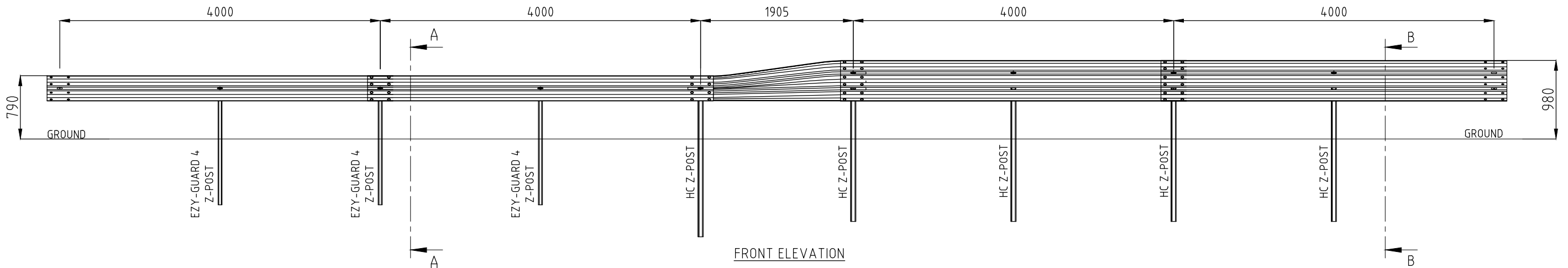
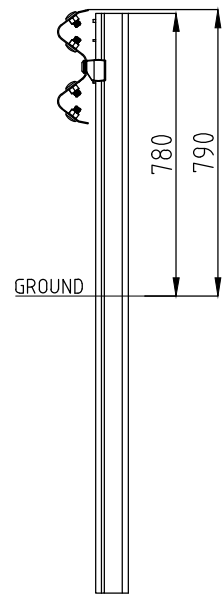


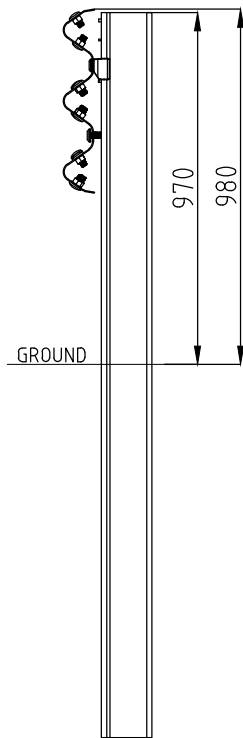
PLAN VIEW



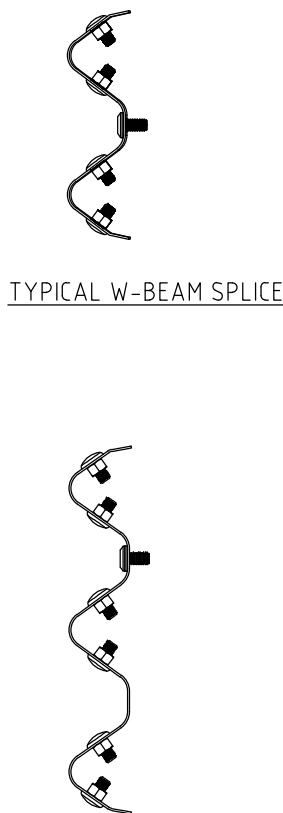
FRONT ELEVATION



SECTION A-A
1:20

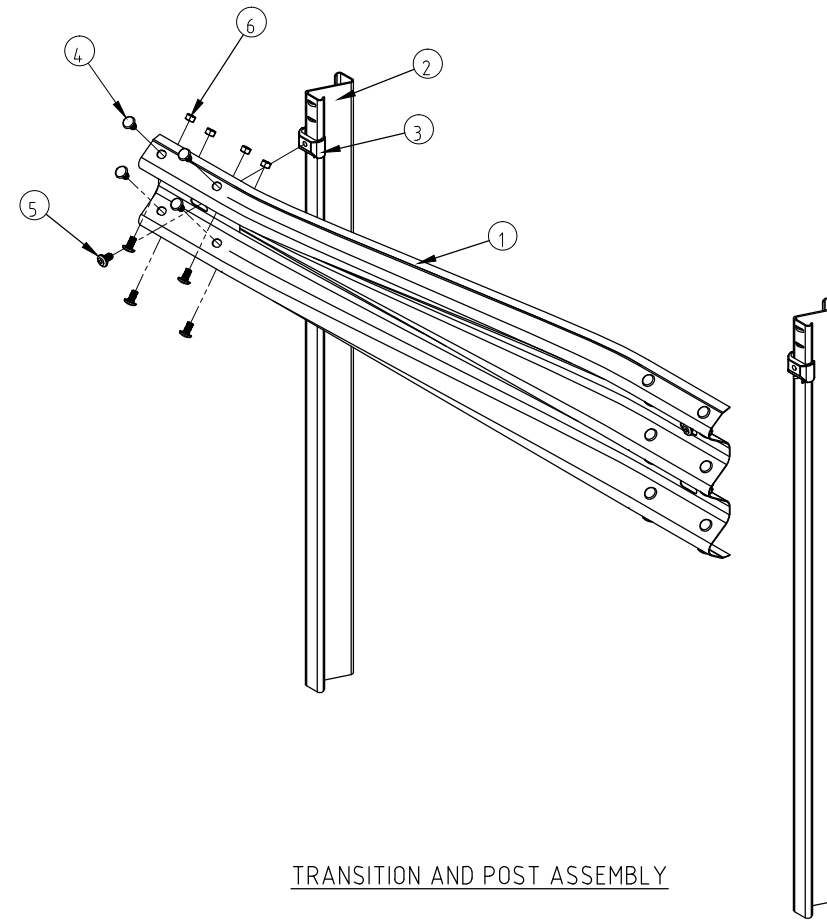


SECTION B-B
1:20



TYPICAL W-BEAM SPLICE

TYPICAL THRIE-BEAM SPLICE



TRANSITION AND POST ASSEMBLY

REV	DATE	DESCRIPTION	DRAWN	CHECKED	APPROVED
1	07-12-16	POST LABELS CORRECTED	MC	LG	LG

DRAWING NUMBER	REFERENCE DRAWINGS

NAME	DATE
DRAWN AUSCOL	05-07-2016
CHECKED LG	12-07-2016
APPROVED LG	12-07-2016
SCALE N.T.S. @ A3	
ISSUE FOR	

DRAWING AND CONTENTS ARE COPYRIGHT TO INGAL CIVIL PRODUCTS AND CAN ONLY BE USED WITH PRIOR WRITTEN CONSENT FROM INGAL CIVIL PRODUCTS
 57-65 AIRDS ROAD MINTO, N.S.W 2566 PH. +61 2 9827 3333 www.ingalcivil.com.au

PROJECT	TITLE
	EZY-GUARD HIGH CONTAINMENT TRANSITION DETAIL EZY-GUARD HC TO 790MM W-BEAM

INGAL CIVIL PRODUCTS PART No.	DRAWING No.
	EZY-HC-002