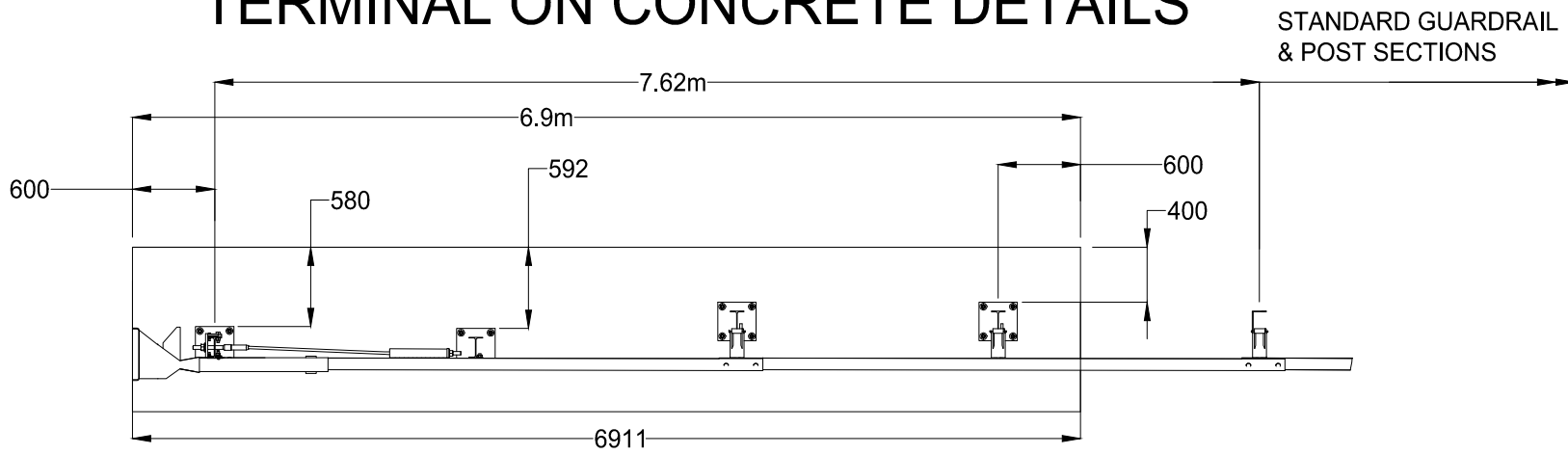
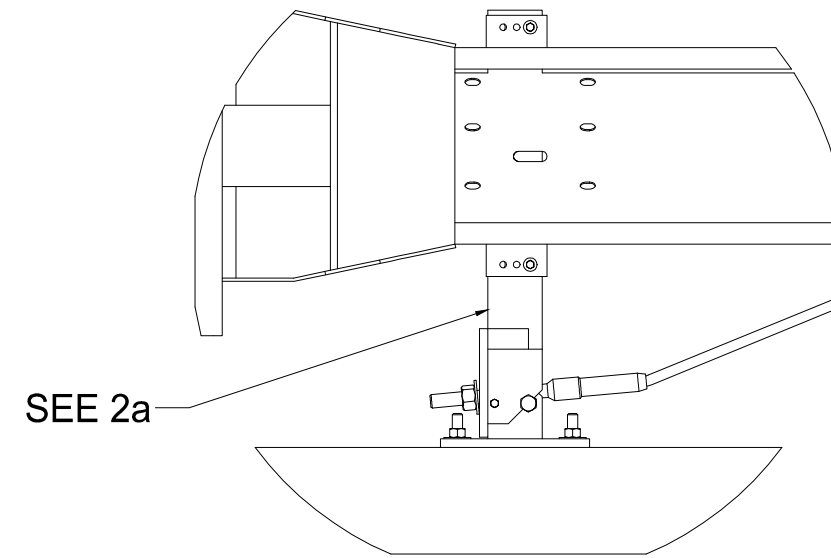


# TERMINAL ON CONCRETE DETAILS



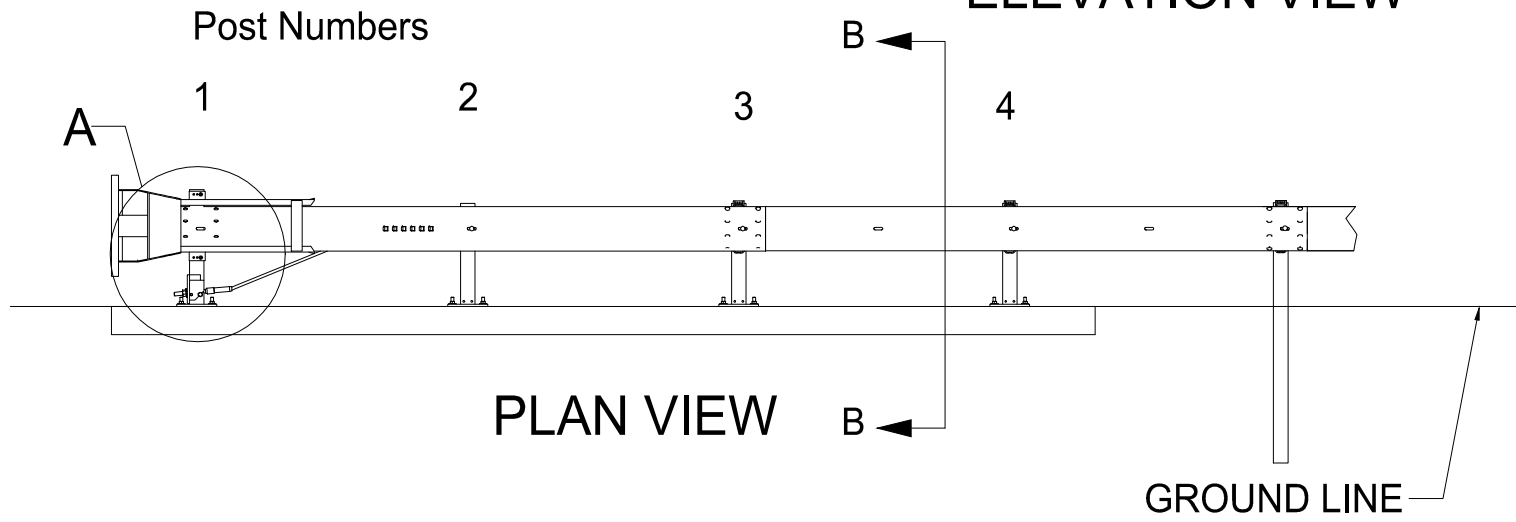
STANDARD GUARDRAIL  
& POST SECTIONS

ELEVATION VIEW



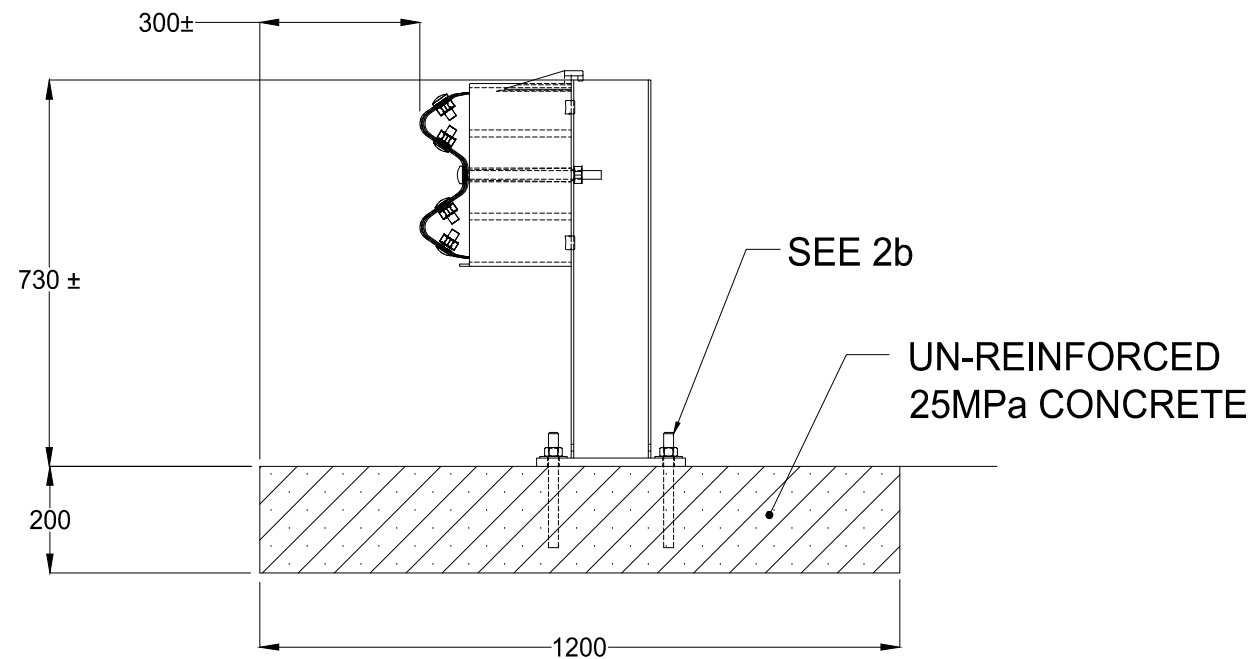
SEE 2a

DETAIL A



PLAN VIEW

GROUND LINE



SECTION B-B

BILL OF MATERIALS		
PART NO	DESCRIPTION	QTY
10000985	W Beam 3810mm NLL	1
10001416	ET-2000 3810mm NLL Anchor Rail Galv	1
10001422	ET-2000 Cable Anchor Fitting Galv	1
10001218	Bearing Plate 200x200x16mm	1
10001419	ET-2000 Extruder Head Galv	1
10000719	Cable Assembly 2m	1
10001298	5/8" ROUND WASHER 1 3/4" OD GL	2
10001299	5/8" HEX NUT GALV	2
10001300	5/8" X 10" G/R BOLT GALV	2
10001248	M16 x 32 Splice Bolt Grade 8.8	17
10001239	M16 Oversize Nut	17
10001284	3/4" ROUND WASHER GALV	2
10001285	3/4" HEX NUT GALV	2
10001286	3/4" X 2 1/2" HEX HD BOLT GALV	2
10001397	ET-Plus 355mm King Block	2
10001287	3/8" ROUND WASHER GALV	4
10001288	3/8" FENDER WASHER 1 1/2" OD G	2
10001289	3/8" LOCK WASHER GALV	2
10001290	3/8" X 1 1/2" HEX HD BOLT GALV	2
10001294	7/16" HEX NUT GALV	2
10001295	7/16" ROUND WASHER GALV	2
10001296	7/16" X 1 1/2" HEX HD BOLT GAL	2
10001297	7/16" LOCK WASHER GALV	2
10001291	3/4" LOCK WASHER GALV	2
10001292	3/8" X 2" HEX HD BOLT GALV	2
10001293	3/8" HEX NUT GALV	4
10006805	ET-Plus 714mm SYT post on 16mm Base Plate	3
10006812	ET-2000 776mm HBA Top Post Galv	1
10006815	ET-2000 HBA Base Plate Assy Galv	1

- 2a. Post 1 is a modified HBA Post , and Posts 2 - 4 are modified SYT Posts. There is no strut.
- 2b. Hilti HT-Z (or equivalent) Ø20 x 215mm anchors, 4 per post. Embedment depth is 150mm ± 5. Install according to manufacturer's instructions using Hilti HIT-HY 200-R epoxy (or equivalent). Do not drill deeper than 165mm. Typical for posts 1 - 4.

REV	DATE	DESCRIPTION	DRAWN	CHECKED	APPROVED
4	23-02-2016	BOM ADDED	MC	SE	LG
3	05-12-2014	'OR EQUIVALENT' ADDED	LG	SE	LG
2	12-08-2014	IMPERIAL ANCHOR CHANGED	LG	SE	LG
1	06-08-2014	NOTE CORRECTION	LG	HF	LG

REFERENCES	DRAWING NUMBER	REFERENCE DRAWINGS

	NAME	DATE
DRAWN	TRIN	510602-TOC
CHECKED	LG	07-04-2014
APPROVED	LG	07-04-2014
SCALE	N.T.S. @	A3
ISSUE FOR	APPROVAL	

INGAL CIVIL PRODUCTS  
57-65 AIRDS ROAD  
MINTO, N.S.W.  
AUSTRALIA 2566  
PH. +61 2 9827 3333  
FAX +61 2 9827 3300  
www.ingalcivil.com.au

DRAWING AND CONTENTS ARE COPYRIGHT TO  
INGAL CIVIL PRODUCTS AND CAN ONLY BE USED  
WITH PRIOR WRITTEN CONSENT FROM INGAL CIVIL  
PRODUCTS

PROJECT	TITLE
	ET2000 PLUS - TL2 STEEL YIELDING TERMINAL POST SYSTEM SURFACE MOUNT CONFIGURATION

INGAL CIVIL PRODUCTS PART No.	DRAWING No.
	CAB-STD-128