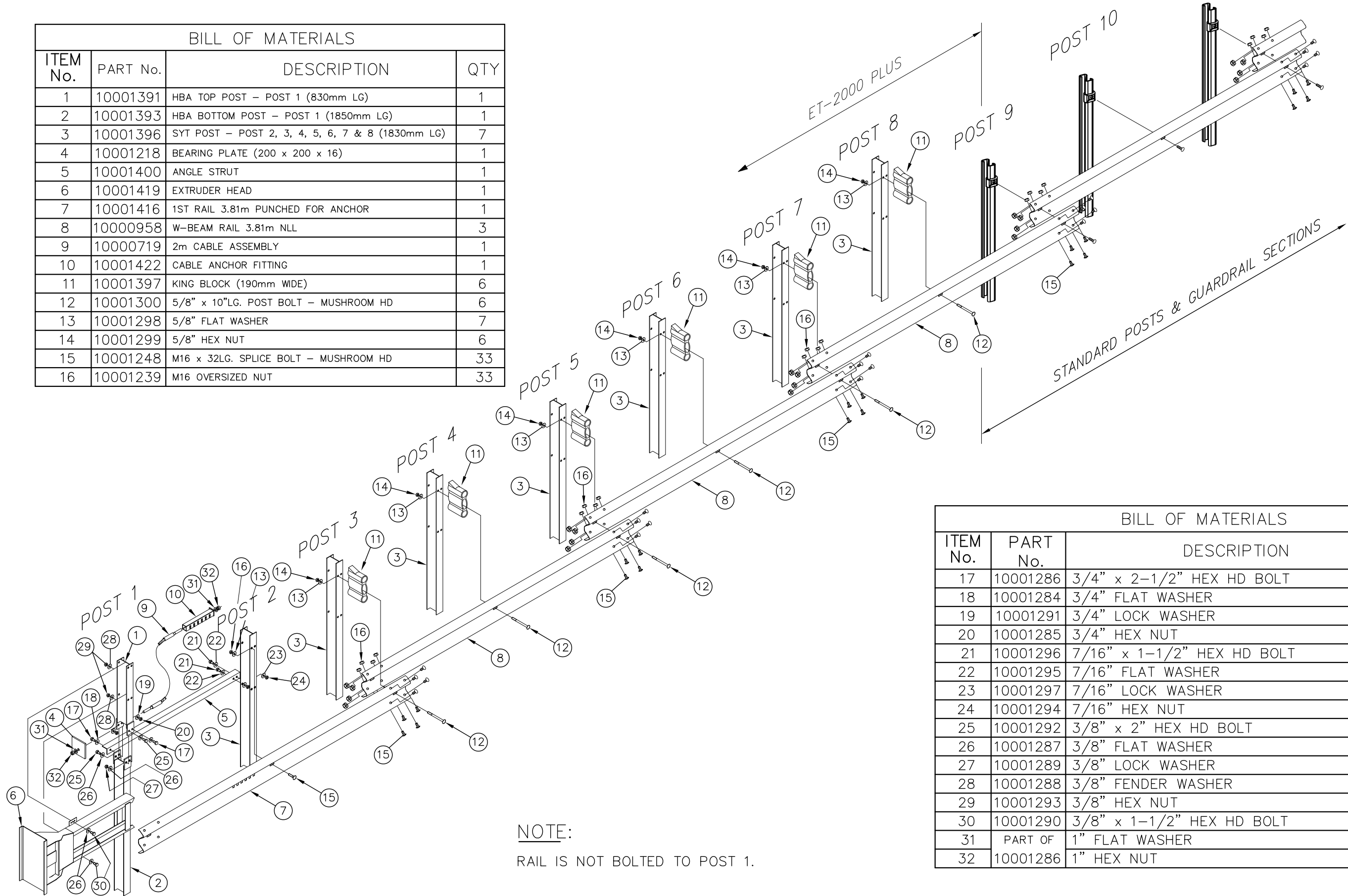


| BILL OF MATERIALS | | | |
|-------------------|----------|--|-----|
| ITEM No. | PART No. | DESCRIPTION | QTY |
| 1 | 10001391 | HBA TOP POST – POST 1 (830mm LG) | 1 |
| 2 | 10001393 | HBA BOTTOM POST – POST 1 (1850mm LG) | 1 |
| 3 | 10001396 | SYT POST – POST 2, 3, 4, 5, 6, 7 & 8 (1830mm LG) | 7 |
| 4 | 10001218 | BEARING PLATE (200 x 200 x 16) | 1 |
| 5 | 10001400 | ANGLE STRUT | 1 |
| 6 | 10001419 | EXTRUDER HEAD | 1 |
| 7 | 10001416 | 1ST RAIL 3.81m PUNCHED FOR ANCHOR | 1 |
| 8 | 10000958 | W-BEAM RAIL 3.81m NLL | 3 |
| 9 | 10000719 | 2m CABLE ASSEMBLY | 1 |
| 10 | 10001422 | CABLE ANCHOR FITTING | 1 |
| 11 | 10001397 | KING BLOCK (190mm WIDE) | 6 |
| 12 | 10001300 | 5/8" x 10" LG. POST BOLT – MUSHROOM HD | 6 |
| 13 | 10001298 | 5/8" FLAT WASHER | 7 |
| 14 | 10001299 | 5/8" HEX NUT | 6 |
| 15 | 10001248 | M16 x 32LG. SPLICE BOLT – MUSHROOM HD | 33 |
| 16 | 10001239 | M16 OVERSIZED NUT | 33 |



NOTE:
RAIL IS NOT BOLTED TO POST 1.

| BILL OF MATERIALS | | | |
|-------------------|----------|----------------------------|-----|
| ITEM No. | PART No. | DESCRIPTION | QTY |
| 17 | 10001286 | 3/4" x 2-1/2" HEX HD BOLT | 2 |
| 18 | 10001284 | 3/4" FLAT WASHER | 2 |
| 19 | 10001291 | 3/4" LOCK WASHER | 2 |
| 20 | 10001285 | 3/4" HEX NUT | 2 |
| 21 | 10001296 | 7/16" x 1-1/2" HEX HD BOLT | 2 |
| 22 | 10001295 | 7/16" FLAT WASHER | 2 |
| 23 | 10001297 | 7/16" LOCK WASHER | 2 |
| 24 | 10001294 | 7/16" HEX NUT | 2 |
| 25 | 10001292 | 3/8" x 2" HEX HD BOLT | 2 |
| 26 | 10001287 | 3/8" FLAT WASHER | 4 |
| 27 | 10001289 | 3/8" LOCK WASHER | 2 |
| 28 | 10001288 | 3/8" FENDER WASHER | 2 |
| 29 | 10001293 | 3/8" HEX NUT | 4 |
| 30 | 10001290 | 3/8" x 1-1/2" HEX HD BOLT | 2 |
| 31 | PART OF | 1" FLAT WASHER | 2 |
| 32 | 10001286 | 1" HEX NUT | 2 |

NOTES:
1. MATERIAL= AS SHOWN
2. FINISH= AS SHOWN

| REV | DATE | DESCRIPTION | DRAWN | CHECKED | APPROVED |
|-----|------------|----------------------|-------|---------|----------|
| E | 31/01/2018 | LINE WEIGHTS UPDATED | WD | LG | LG |
| D | 11/10/11 | TITLE BLOCK UPDATED | DJB | TC | TC |
| C | 24/02/09 | TITLE BLOCK UPDATED | MS | TC | TC |
| B | 19/05/04 | ITEM 11 CHANGED | IJ | BF | BF |
| A | 22/03/04 | ITEM 13 CHANGED | IJ | BF | BF |
| 0 | 04/08/03 | INITIAL ISSUE | BF | GPP | GPP |

| REV | DATE | DESCRIPTION | DRAWN | CHECKED | APPROVED |
|-----|------------|----------------------|-------|---------|----------|
| E | 31/01/2018 | LINE WEIGHTS UPDATED | WD | LG | LG |
| D | 11/10/11 | TITLE BLOCK UPDATED | DJB | TC | TC |
| C | 24/02/09 | TITLE BLOCK UPDATED | MS | TC | TC |
| B | 19/05/04 | ITEM 11 CHANGED | IJ | BF | BF |
| A | 22/03/04 | ITEM 13 CHANGED | IJ | BF | BF |
| 0 | 04/08/03 | INITIAL ISSUE | BF | GPP | GPP |

| NAME | DATE |
|-------------------------------|------------|
| DRAWN AUSTEC | 11/10/2011 |
| CHECKED TC | 11/10/2011 |
| APPROVED TC | 11/10/2011 |
| SCALE N.T.S. @ A3 | |
| ISSUE FOR INFORMATION ONLY | |

| PROJECT | TITLE |
|---------------------------------------|--------------------|
| ET2000 PLUS NCHRP 350 TEST LEVEL 3 | ISOMETRIC ASSEMBLY |

| INGAL CIVIL PRODUCTS PART No. | DRAWING No. |
|-------------------------------|-------------|
| | CAB-STD-62 |