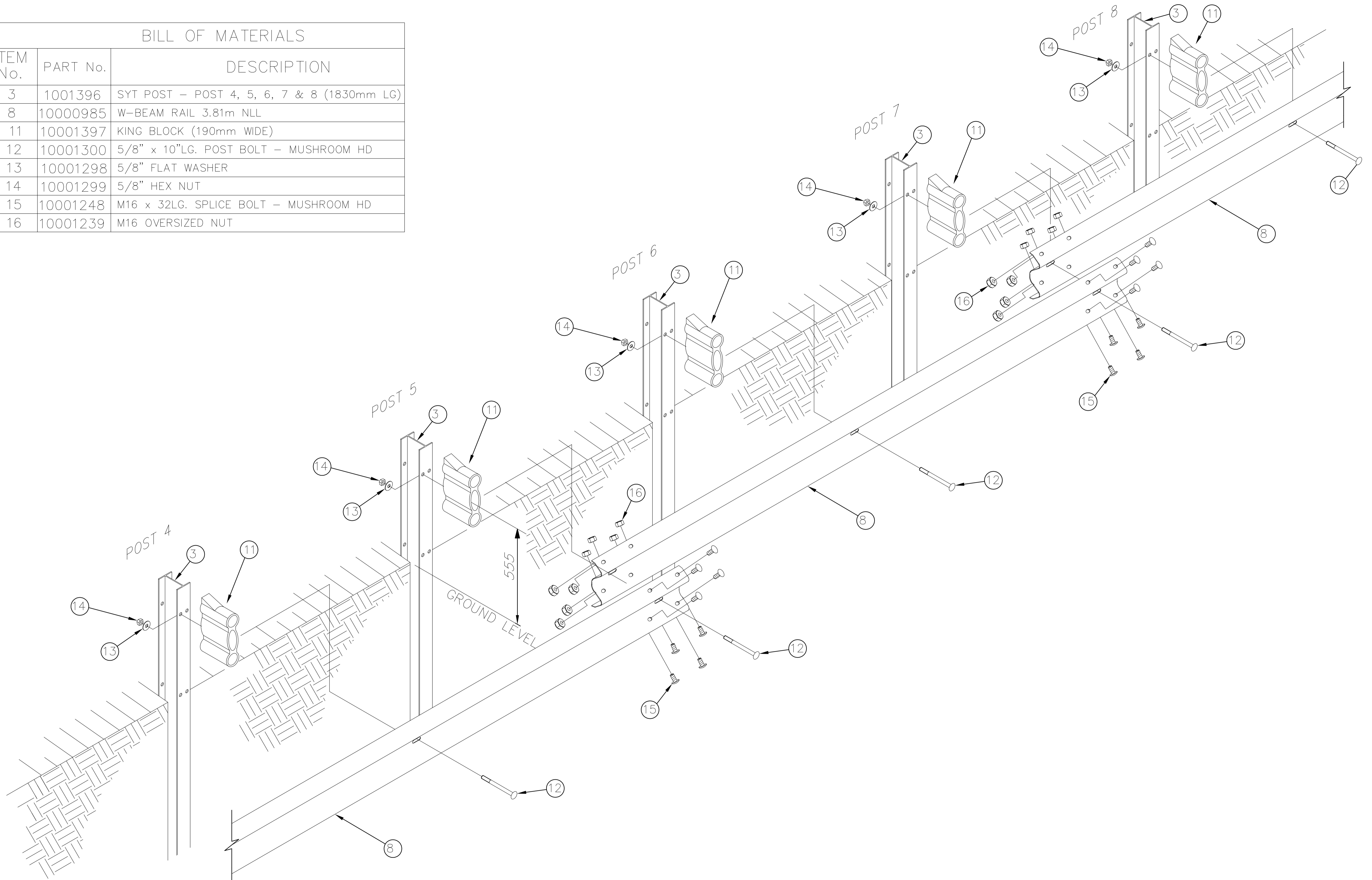


BILL OF MATERIALS

ITEM No.	PART No.	DESCRIPTION
3	1001396	SYT POST – POST 4, 5, 6, 7 & 8 (1830mm LG)
8	10000985	W-BEAM RAIL 3.81m NLL
11	10001397	KING BLOCK (190mm WIDE)
12	10001300	5/8" x 10"LG. POST BOLT – MUSHROOM HD
13	10001298	5/8" FLAT WASHER
14	10001299	5/8" HEX NUT
15	10001248	M16 x 32LG. SPLICE BOLT – MUSHROOM HD
16	10001239	M16 OVERSIZED NUT



REV	DATE	DESCRIPTION	DRAWN	CHECKED	APPROVED
D	11/10/11	TITLE BLOCK UPDATED	DJB	TC	TC
C	24/02/09	TITLE BLOCK UPDATED	MS	TC	TC
B	19/05/04	ITEM 11 CHANGED	IJ	BF	GPP
A	22/03/04	BILL OF MATERIALS AMENDED	IJ	BF	GPP
0	10/02/04	INITIAL ISSUE	BF	IJ	GPP

DRAWING NUMBER	REFERENCE DRAWINGS

	NAME	DATE
DRAWN	AUSTEC	11/10/2011
CHECKED	TC	11/10/2011
APPROVED	TC	11/10/2011
SCALE	NTS	
SIZE	A1	

INGAL CIVIL PRODUCTS
57-65 AIRDS ROAD
MINTO, N.S.W
AUSTRALIA 2566
PH. +61 2 9827 3333
FAX +61 2 9827 3300
www.ingalcivil.com.au

DRAWING AND CONTENTS ARE COPYRIGHT TO
INGAL CIVIL PRODUCTS AND CAN ONLY BE USED
WITH PRIOR WRITTEN CONSENT FROM INGAL CIVIL
PRODUCTS

PROJECT ET2000 PLUS NCHRP 350 TEST LEVEL 3	TITLE ISOMETRIC ASSEMBLY POSTS 4, 5, 6, 7 & 8
--	---

INGAL CIVIL PRODUCTS REFERENCE No.	DRAWING No. CAB-STD-64
---------------------------------------	---------------------------