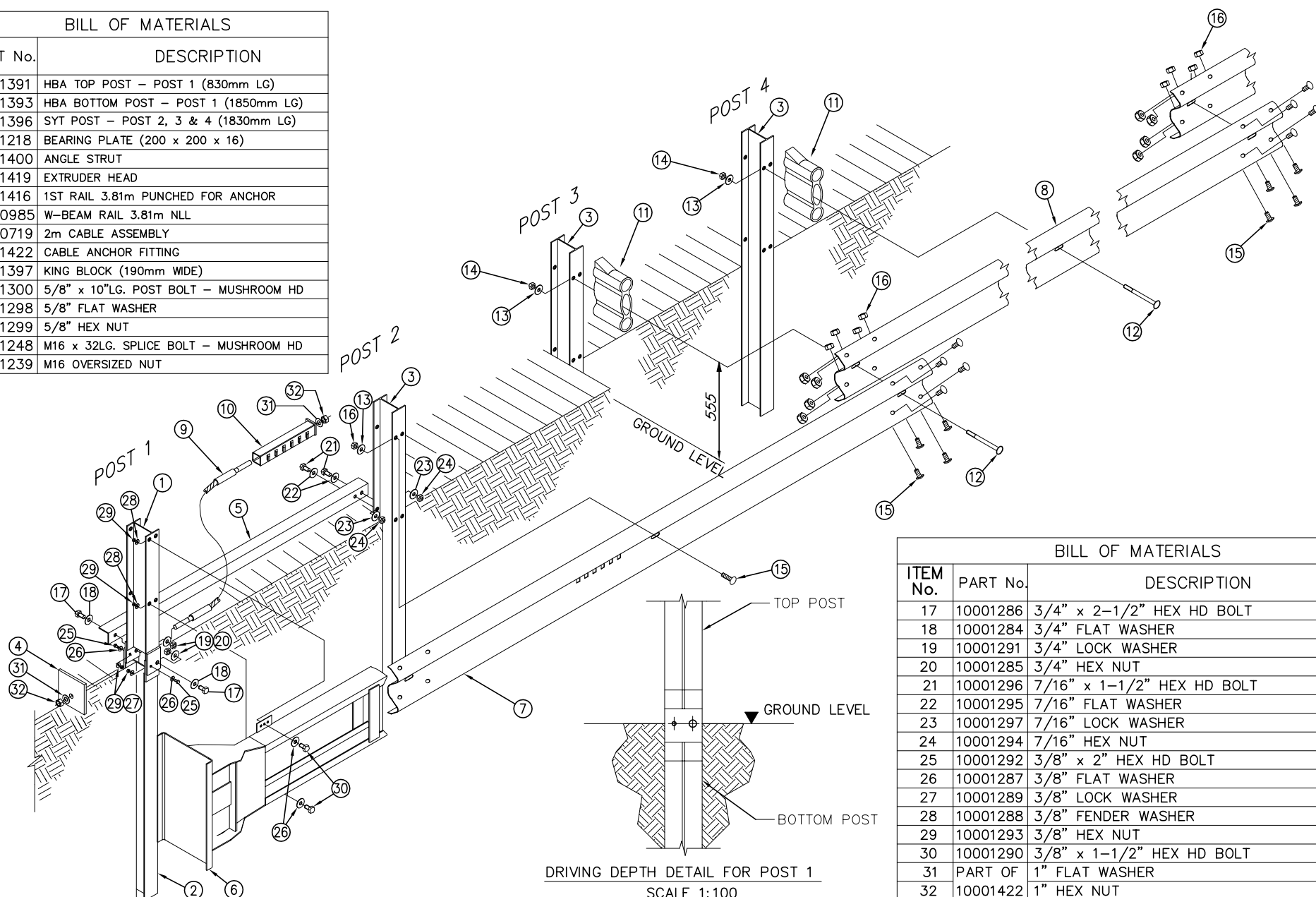


BILL OF MATERIALS

ITEM No.	PART No.	DESCRIPTION
1	10001391	HBA TOP POST – POST 1 (830mm LG)
2	10001393	HBA BOTTOM POST – POST 1 (1850mm LG)
3	10001396	SYT POST – POST 2, 3 & 4 (1830mm LG)
4	10001218	BEARING PLATE (200 x 200 x 16)
5	10001400	ANGLE STRUT
6	10001419	EXTRUDER HEAD
7	10001416	1ST RAIL 3.81m PUNCHED FOR ANCHOR
8	10000985	W-BEAM RAIL 3.81m NLL
9	10000719	2m CABLE ASSEMBLY
10	10001422	CABLE ANCHOR FITTING
11	10001397	KING BLOCK (190mm WIDE)
12	10001300	5/8" x 10" LG. POST BOLT – MUSHROOM HD
13	10001298	5/8" FLAT WASHER
14	10001299	5/8" HEX NUT
15	10001248	M16 x 32LG. SPLICE BOLT – MUSHROOM HD
16	10001239	M16 OVERSIZED NUT



BILL OF MATERIALS

ITEM No.	PART No.	DESCRIPTION
17	10001286	3/4" x 2-1/2" HEX HD BOLT
18	10001284	3/4" FLAT WASHER
19	10001291	3/4" LOCK WASHER
20	10001285	3/4" HEX NUT
21	10001296	7/16" x 1-1/2" HEX HD BOLT
22	10001295	7/16" FLAT WASHER
23	10001297	7/16" LOCK WASHER
24	10001294	7/16" HEX NUT
25	10001292	3/8" x 2" HEX HD BOLT
26	10001287	3/8" FLAT WASHER
27	10001289	3/8" LOCK WASHER
28	10001288	3/8" FENDER WASHER
29	10001293	3/8" HEX NUT
30	10001290	3/8" x 1-1/2" HEX HD BOLT
31	PART OF	1" FLAT WASHER
32	10001422	1" HEX NUT

NOTES:

1. MATERIAL= AS SHOWN
2. FINISH= AS SHOWN

NOTE:
RAIL IS NOT BOLTED TO POST 1.

DRIVING DEPTH DETAIL FOR POST 1
SCALE 1:100

REV	DATE	DESCRIPTION	DRAWN	CHECKED	APPROVED	DRAWING NUMBER	REFERENCE DRAWINGS	NAME	DATE	PROJECT	INGAL CIVIL PRODUCTS PART No.
C	31/01/2018	LINE WEIGHTS UPDATED		WD				AUSTEC	11/10/2011	ET2000 PLUS NCHRP 350 TEST LEVEL 2	
B	11/10/11	TITLE BLOCK UPDATED		DJB	TC			TC	11/10/2011		
A	24/02/09	TITLE BLOCK UPDATED		MS	TC			TC			
O	10/02/04	ORIGINAL ISSUE		BF	LI	GPP					
REVISIONS			REFERENCES			DRAWING NUMBER		SCALE		DRAWING No.	
								N.T.S. @ A3		CAB-STD-67	
								ISSUE FOR INFORMATION ONLY		INGAL CIVIL PRODUCTS PART No.	
								57-85 ARDS ROAD MINTO, N.S.W 2566		CAB-STD-67	
								PH. +61 2 9827 3333 www.ingalcivil.com.au		Rev: 0	

I:\MINTO\PE\ENGINEERING\SALES & MARKETING\DRAWINGS\SET 2009\ASSEMBLY\CAB-STD-67.VXD.DWG