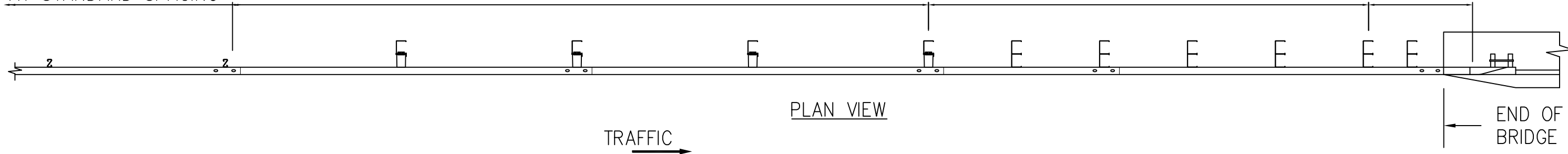


EZY-GUARD SMART/4
AT STANDARD SPACING

STANDARD C POSTS AND
BLOCKING PIECES AT 2m SPACING

5 SPACES AT 1000

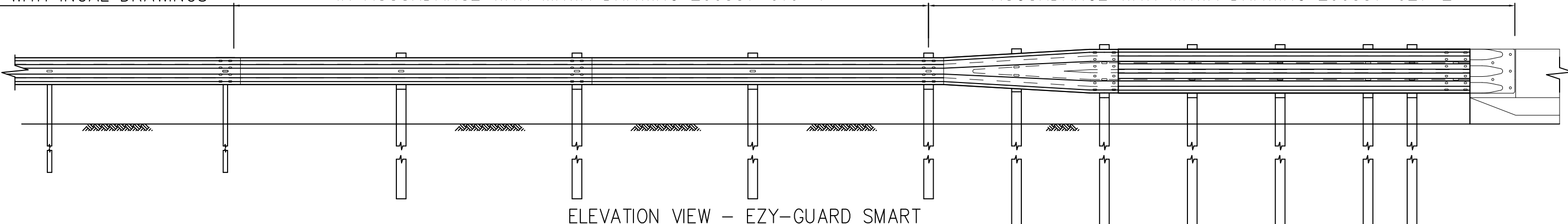
2 SPACES
@ 500



EZY-GUARD TO BE
CONSTRUCTED IN ACCORDANCE
WITH INGAL DRAWINGS

8m STANDARD MID-SECTION TO BE CONSTRUCTED
IN ACCORDANCE WITH MRWA DRAWING 200331-010-4

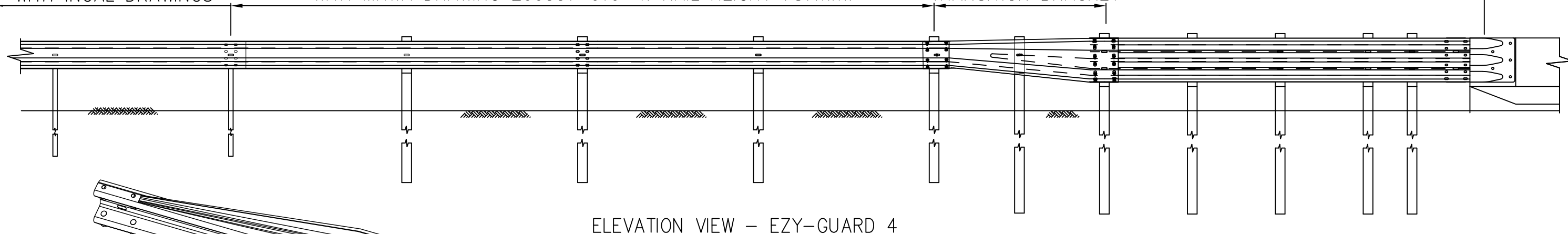
6m TRANSITION TO BE CONSTRUCTED IN
ACCORDANCE WITH MRWA DRAWING 200331-021-2



EZY-GUARD 4 TO BE
CONSTRUCTED IN ACCORDANCE
WITH INGAL DRAWINGS

8m STANDARD MID-SECTION TO BE CONSTRUCTED IN ACCORDANCE
WITH MRWA DRAWING 200331-010-4. RAIL HEIGHT 787mm.

6m TRANSITION TO BE CONSTRUCTED IN
ACCORDANCE WITH MRWA DRAWING 200331-021-2
1.905m ASYMMETRIC
TRANSITION BRACKET



ASYMMETRIC TRANSITION
BRACKET

NOTE: THIS CONFIGURATION IS FOR Main Roads WA
PROJECTS ONLY. FOR OTHER JURISDICTIONS,
REFER DRAWING EZY-SM-108.

J:\SALES & MARKETING\DRAWINGS\EZY-GUARD ASSEMBLY\EZY-SM-124\EZY-GUARD SMART MRWA CONNECTION TO BRIDGE.DWG

REV	DATE	DESCRIPTION	DRAWN	CHECKED	APPROVED
3	13-07-2016	NOTE ADDED	LG		
2	20-04-2016	EZY-GUARD 4 DETAIL ADDED	LG		
1	14-03-2016	1m EZY-GUARD SECTION REMOVED	LG		

DRAWING NUMBER	REFERENCE DRAWINGS

NAME	DATE
DRAWN MC	11-03-2016
CHECKED LG	11-03-2016
APPROVED	
SCALE N.T.S. @ A3	
ISSUE FOR INFORMATION ONLY	

INGAL CIVIL PRODUCTS
A valmont COMPANY

DRAWING AND CONTENTS ARE COPYRIGHT TO INGAL CIVIL PRODUCTS AND CAN ONLY BE USED WITH PRIOR WRITTEN CONSENT FROM INGAL CIVIL PRODUCTS

57-65 AIRDS ROAD MINTO, N.S.W 2566 PH. +61 2 9827 3333 www.ingalcivil.com.au

PROJECT	TITLE
	EZY-GUARD TRANSITION TO RIGID BARRIER MAIN ROADS WA SPEC

INGAL CIVIL PRODUCTS PART No.	DRAWING No.
	EZY-SM-124