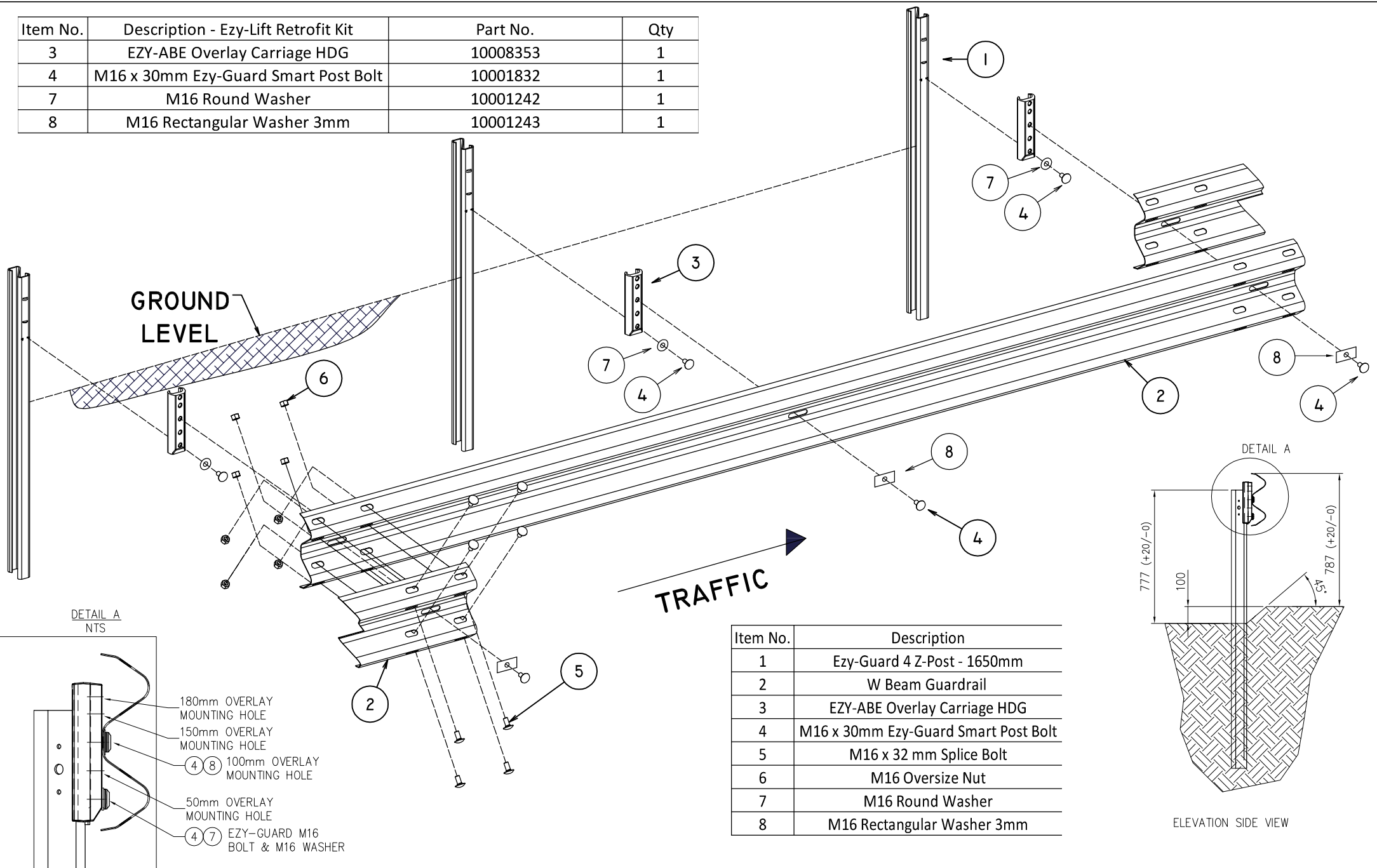
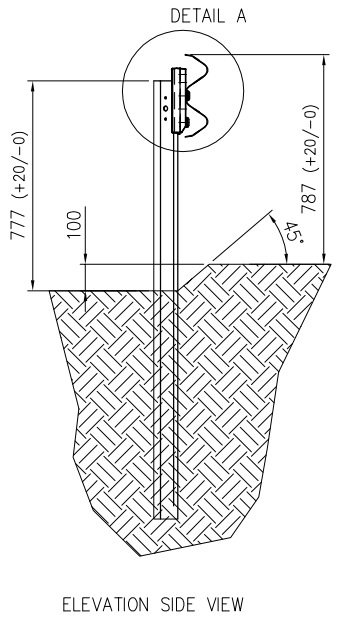
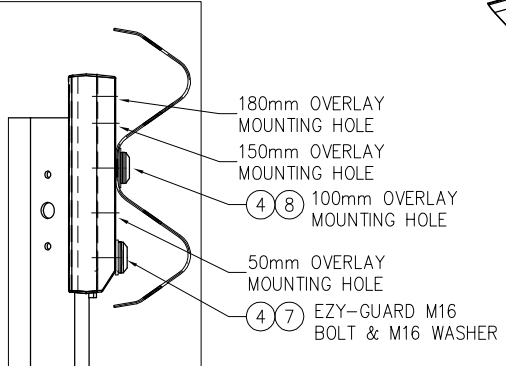


Item No.	Description - Ezy-Lift Retrofit Kit	Part No.	Qty
3	EZY-ABE Overlay Carriage HDG	10008353	1
4	M16 x 30mm Ezy-Guard Smart Post Bolt	10001832	1
7	M16 Round Washer	10001242	1
8	M16 Rectangular Washer 3mm	10001243	1



DETAIL A
NTS



Item No.	Description
1	Ezy-Guard 4 Z-Post - 1650mm
2	W Beam Guardrail
3	EZY-ABE Overlay Carriage HDG
4	M16 x 30mm Ezy-Guard Smart Post Bolt
5	M16 x 32 mm Splice Bolt
6	M16 Oversize Nut
7	M16 Round Washer
8	M16 Rectangular Washer 3mm

REV	DATE	DESCRIPTION	DRAWN	CHECKED	APPROVED
2	29-03-18	DETAIL A TABLE ADDED	WD	LG	
2	29-03-17	DRAWING TITLE UPDATED	MC	LG	
1	16-02-2017	PART NUMBERING CORRECTION - LOWER CARRIAGE BOLT	LG		

REFERENCES	DRAWING NUMBER	REFERENCE DRAWINGS

NAME	DATE
DRAWN MC	13-12-16
CHECKED LG	13-12-16
APPROVED LG	13-12-16
SCALE N.T.S. @ A3	
ISSUE FOR INFORMATION ONLY	

57-65 AIRDS ROAD
MINTO, N.S.W 2566
PH. +61 2 9827 3333
www.ingalcivil.com.au

PROJECT	TITLE
	EZY-GUARD 4 WITH EZY-LIFT CARRIAGE EXPLODED ASSEMBLY DETAIL

INGAL CIVIL PRODUCTS PART No.	DRAWING No.
	EZY-SM-131

JCS/LES & MARKET/ING/DRAWING/EZY-GUARD ASSEMBLY/EZY-SM-131 - EZY-LIFT EXPLODED ASSEMBLY/DWG