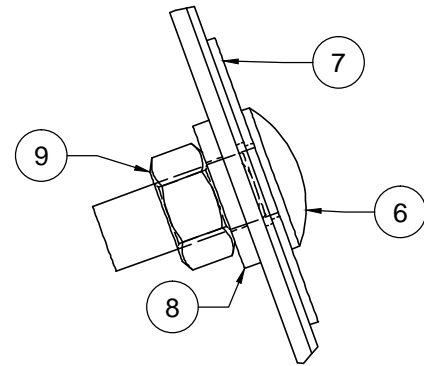
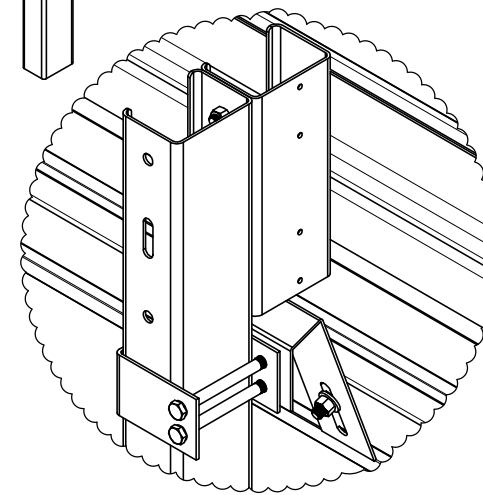


PLAN VIEW
W-BEAM & BLOCK NOT
SHOWN FOR CLARITY



DETAIL 'A'



DETAIL 'B'

| G4 CONFIG - MPR BILL OF MATERIALS (4 m) | | | |
|---|-----|-------------|-------------------------------------|
| ITEM | QTY | PART NUMBER | DESCRIPTION |
| 1 | 1 | 10006773 | Motorcyclist protection beam |
| 2 | 2 | 10006774 | MPS C-Post Bracket |
| 3 | 2 | 10006772 | Rail mounting bracket |
| 4 | 4 | 10001228 | M16x190 hex bolt |
| 5 | 4 | 10001248 | Round head bolt M16x32 |
| 6 | 2 | 10006769 | Round head bolt M16x40 |
| 7 | 2 | 10006771 | Slot Washer $\phi 70 \times 2$ |
| 8 | 10 | 10006770 | Washer $\phi 35 \times 17 \times 4$ |
| 9 | 6 | 10007834 | M16 nut |

| REV | DATE | DESCRIPTION | DRAWN | CHECKED | APPROVED |
|-----|------------|-------------------------|-------|---------|----------|
| 3 | 31-08-2016 | BOM CORRECTION - ITEM 9 | MC | | |
| 2 | 20-07-2015 | BOM CORRECTION - ITEM 8 | LG | | |

| DRAWING NUMBER | REFERENCE DRAWINGS |
|----------------|--------------------|
| | |

| NAME | DATE |
|-----------|------------------|
| DRAWN LG | 23-09-2013 |
| CHECKED | |
| APPROVED | |
| SCALE | N.T.S. @ A3 |
| ISSUE FOR | INFORMATION ONLY |

INGAL CIVIL PRODUCTS
57-65 AIRDS ROAD
MINTO, N.S.W
AUSTRALIA 2566
PH. +61 2 9827 3333
FAX +61 2 9827 3300
www.ingalcivil.com.au

INGAL CIVIL PRODUCTS
TRADE MARK

DRAWING AND CONTENTS ARE COPYRIGHT TO
INGAL CIVIL PRODUCTS AND CAN ONLY BE USED
WITH PRIOR WRITTEN CONSENT FROM INGAL CIVIL
PRODUCTS

| PROJECT | TITLE |
|---------|--|
| | MOTORCYCLIST PROTECTION INGAL MPR G4 CONFIGURATION |

| INGAL CIVIL PRODUCTS PART No. | DRAWING No. |
|----------------------------------|-------------|
| N/A | ICP-MPR-002 |