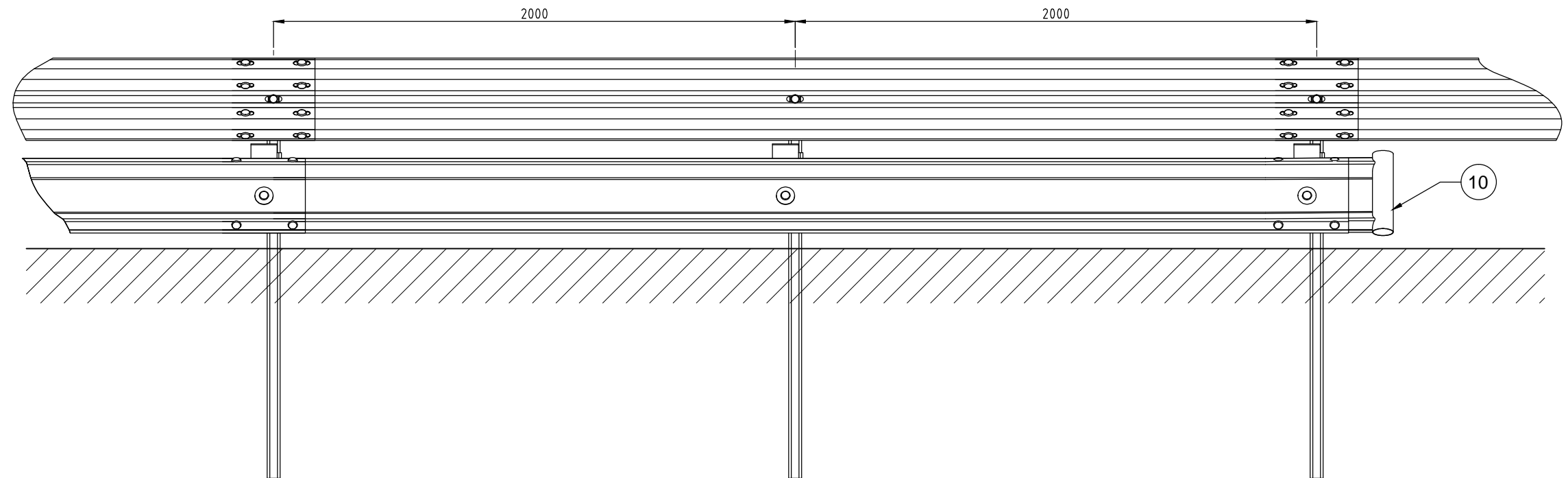
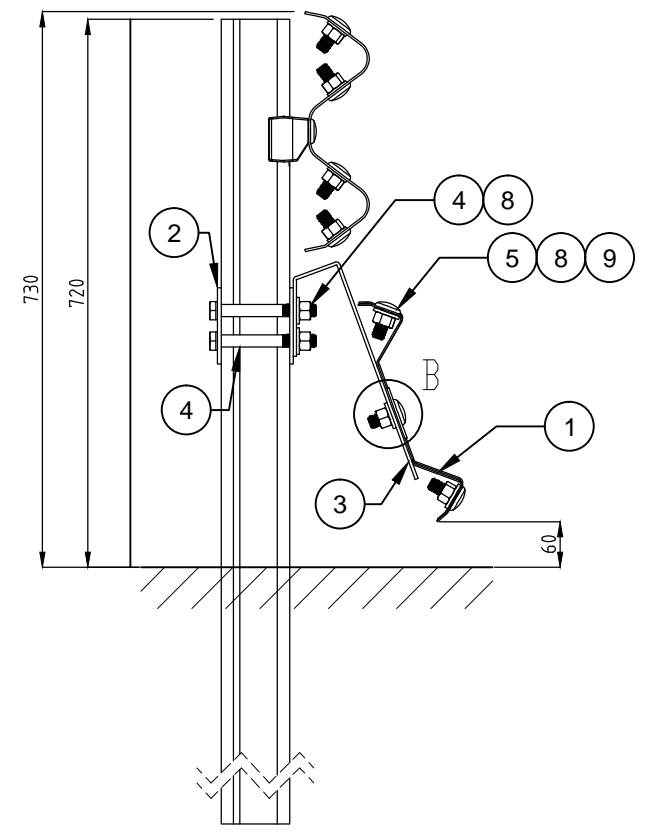
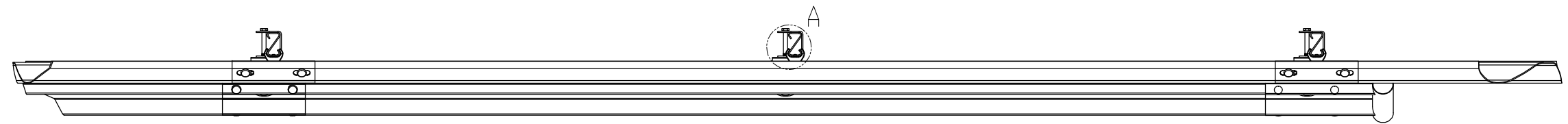
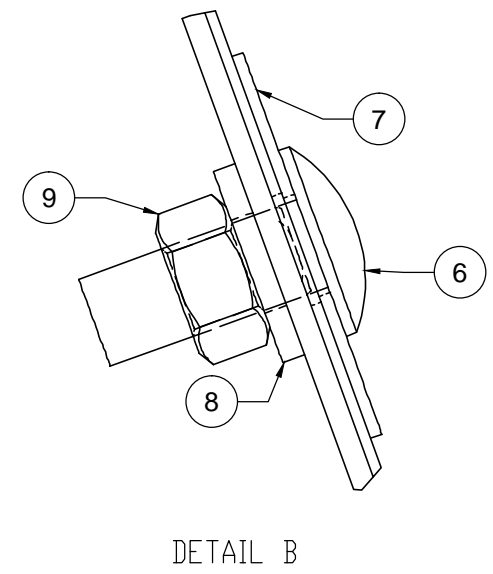
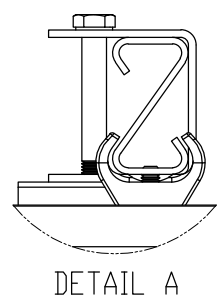
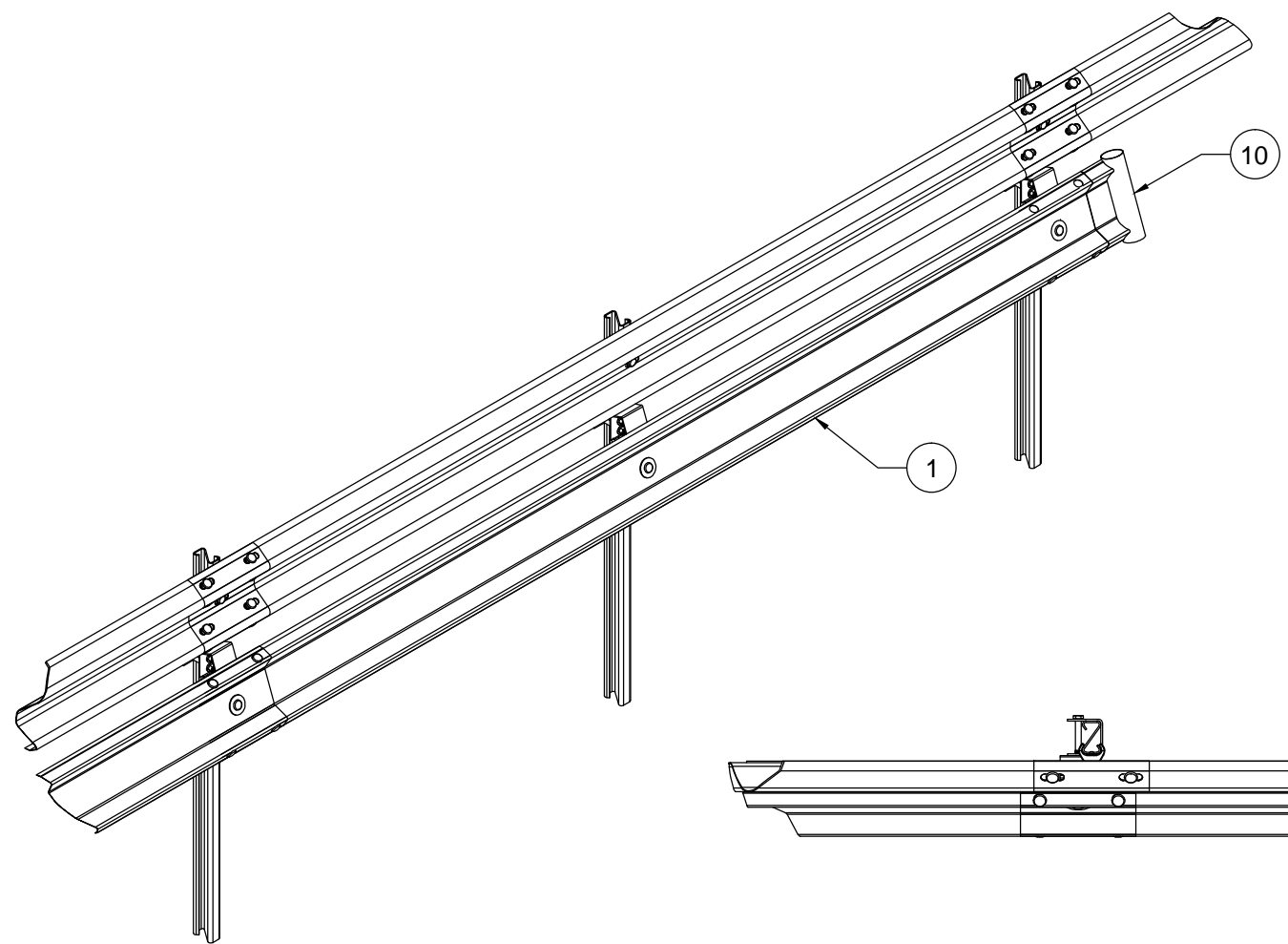


EZY-GUARD CONFIG - MPR BILL OF MATERIALS (4 m)			
ITEM	QTY	PART NUMBER	DESCRIPTION
1	1	10006773	Motorcyclist protection beam
2	2	10007332	Z-Post Bracket
3	2	10006772	Rail mounting bracket
4	4	10003618	M16x130 Hex bolt
5	4	10001248	Round head bolt M16x32
6	2	10006769	Round head bolt M16x40
7	2	10006771	Slot Washer $\phi 70 \times 2$
8	10	10006770	Washer $\phi 35 \times 17 \times 4$
9	6	10007834	M16 nut
10	1	10006767	MPR END TERMINAL



NOTES:
 1. ALL STEELWORK TO BE HOT DIP GALVANISED AFTER FABRICATION TO AS/NZS 4680 AND STRAIGHTENED AFTER GALVANISING IF REQUIRED.

REV	DATE	DESCRIPTION	DRAWN	CHECKED	APPROVED
2	26-07-2016	Z POST BRACKET PART NUMBER ADDED	MC	LG	MC
1	20-07-2015	BOM CORRECTION - ITEM 10	LG		

DRAWING NUMBER	REFERENCE DRAWINGS

NAME	DATE
DRAWN A.R.	28/07/2014
CHECKED	
APPROVED	
SCALE	N.T.S. @ A3
ISSUE FOR	INFORMATION ONLY

INGAL CIVIL PRODUCTS
 57-65 AIRDS ROAD
 MINTO, N.S.W
 AUSTRALIA 2566
 PH. +61 2 9827 3333
 FAX +61 2 9827 3300
 www.ingalcivil.com.au

DRAWING AND CONTENTS ARE COPYRIGHT TO
 INGAL CIVIL PRODUCTS AND CAN ONLY BE USED
 WITH PRIOR WRITTEN CONSENT FROM INGAL CIVIL
 PRODUCTS

PROJECT	TITLE
INGAL CIVIL PRODUCTS PART No.	INGAL MPR MOTORCYCLIST PROTECTION EZY-GUARD CONFIGURATION ASSEMBLY DETAILS

PART No.	DRAWING No.
ICP-MPR-003	ICP-MPR-003