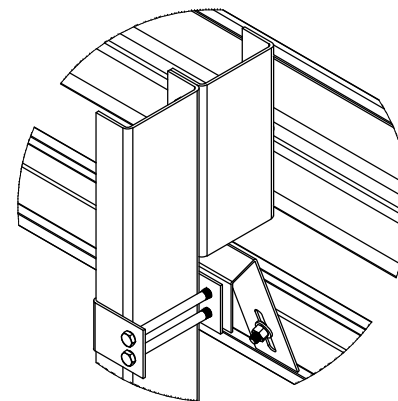


DETAIL A
1 : 2



DETAIL B
2 : 25

TYPE B - U-POST - BILL OF MATERIALS			
ITEM	QTY	PART No	DESCRIPTION
1	1	10007376	Motorcyclist protection beam 5m NLL
2	2	10006768	MPS U-Post bracket
3	2	10006772	Rail mounting bracket
4	4	10004064	M16x220 HEX HEAD BOLT GALV
5	4	10001248	Round head bolt M16x32
6	2	10006769	Round head bolt M16x40
7	2	10006771	Slot washer ϕ 70x2
8	10	10006770	Washer ϕ 35x17x4
9	10	10007834	M16 nut

REV	DATE	DESCRIPTION	DRAWN	CHECKED	APPROVED
1	30-10-2015	BOM UPDATED	MC	LG	LG
0	11-12-2014	ORIGINAL ISSUE	AR	LG	LG

REV	DATE	DESCRIPTION	DRAWN	CHECKED	APPROVED

SCALE	NAME	DATE
DRAWN	A.R.	11-12-2014
CHECKED	LG	11-12-2014
APPROVED	LG	11-12-2014
SCALE	N.T.S. @	A3
ISSUE FOR	INFORMATION ONLY	

INGAL CIVIL PRODUCTS
 57-65 AIRDS ROAD
 MINTO, N.S.W
 AUSTRALIA 2566
 PH. +61 2 9827 3333
 FAX +61 2 9827 3300
 www.ingalcivil.com.au

DRAWING AND CONTENTS ARE COPYRIGHT TO
 INGAL CIVIL PRODUCTS AND CAN ONLY BE USED
 WITH PRIOR WRITTEN CONSENT FROM INGAL CIVIL
 PRODUCTS

PROJECT	TITLE
	INGAL MPR MOTORCYCLIST PROTECTION TYPE-B GUARDRAIL CONFIGURATION ASSEMBLY DETAILS

INGAL CIVIL PRODUCTS PART No.	DRAWING No.
	ICP-MPR-004