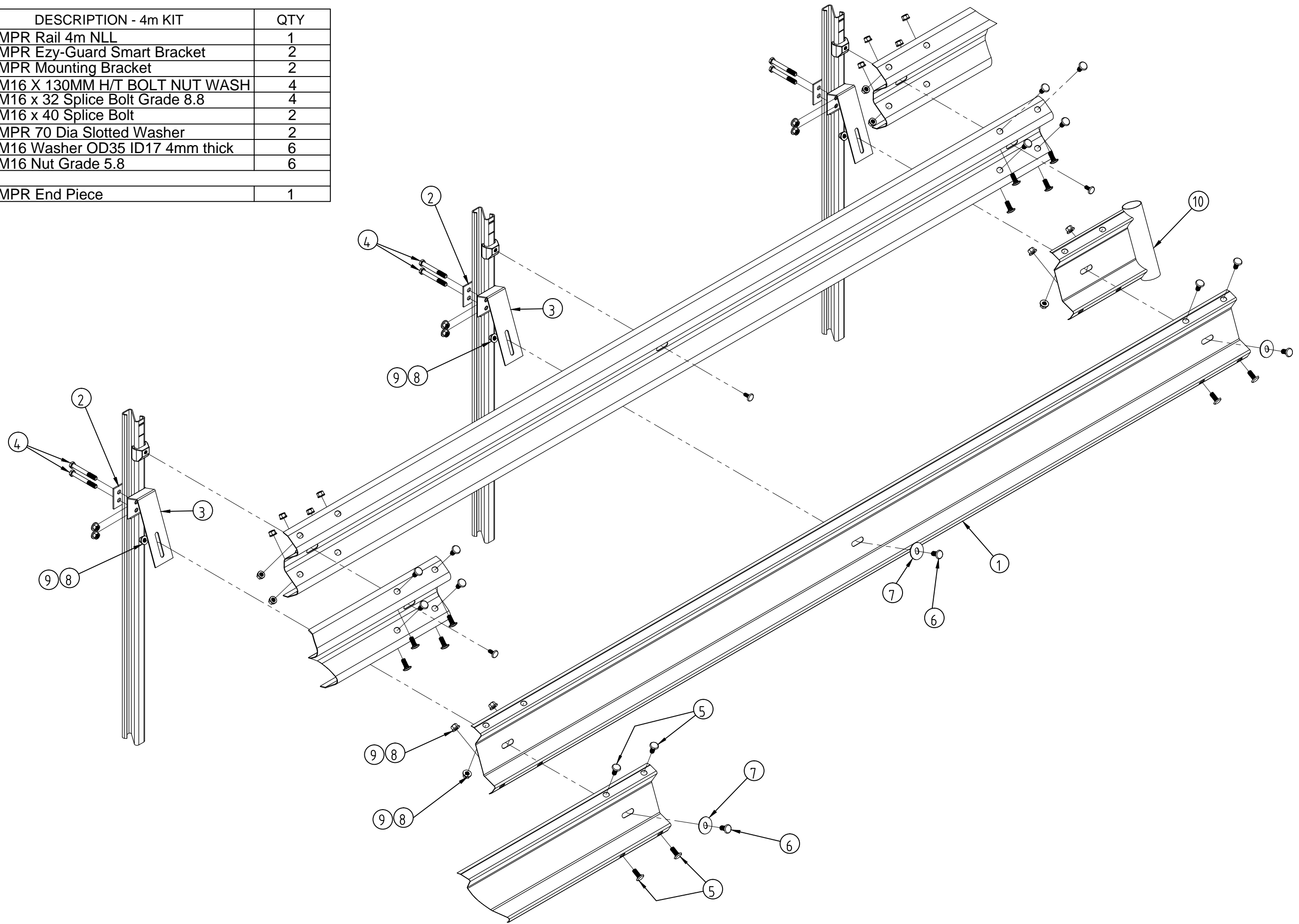


ITEM	PART No	DESCRIPTION - 4m KIT	QTY
1	10006773	MPR Rail 4m NLL	1
2	10007332	MPR Ezy-Guard Smart Bracket	2
3	10006772	MPR Mounting Bracket	2
4	10003618	M16 X 130MM H/T BOLT NUT WASH	4
5	10001248	M16 x 32 Splice Bolt Grade 8.8	4
6	10006769	M16 x 40 Splice Bolt	2
7	10006771	MPR 70 Dia Slotted Washer	2
8	10006770	M16 Washer OD35 ID17 4mm thick	6
9	10007834	M16 Nut Grade 5.8	6
10	10006767	MPR End Piece	1



REV	DATE	DESCRIPTION	DRAWN	CHECKED	APPROVED
2	22-11-16	WASHER QTY REDUCED	MC	LG	MC
1	31-01-16	BOM UPDATED	MC	LG	MC

REFERENCES	DRAWING NUMBER	REFERENCE DRAWINGS

	NAME	DATE
DRAWN	AR	18-07-2015
CHECKED	LG	20-07-2015
APPROVED	LG	20-07-2015
SCALE	N.T.S. @	A3
ISSUE FOR	INFORMATION ONLY	

INGAL
CIVIL PRODUCTS
A valmont COMPANY

DRAWING AND CONTENTS ARE COPYRIGHT TO
INGAL CIVIL PRODUCTS AND CAN ONLY BE USED
WITH PRIOR WRITTEN CONSENT FROM INGAL CIVIL
PRODUCTS
57-65 AIRDS ROAD PH. +61 2 9827 3333
MINTO, N.S.W 2566 www.ingalcivil.com.au

PROJECT	TITLE
	INGAL MPR - 4m NLL EZY-GUARD SMART CONFIGURATION EXPLODED VIEW

INGAL CIVIL PRODUCTS PART No.	DRAWING No.
10007333	ICP-MPR-005