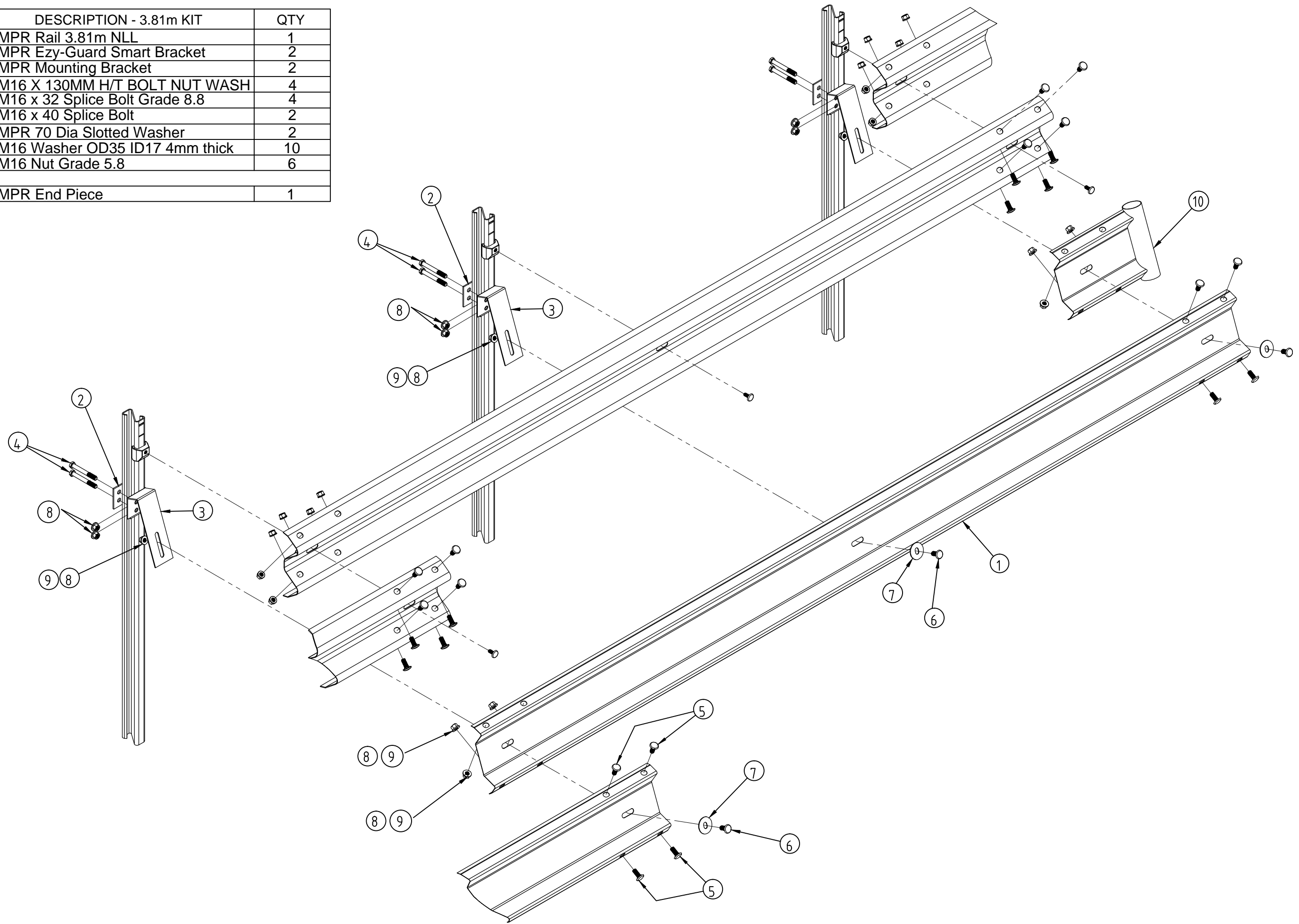


ITEM	PART No	DESCRIPTION - 3.81m KIT	QTY
1	10007769	MPR Rail 3.81m NLL	1
2	10007332	MPR Ezy-Guard Smart Bracket	2
3	10006772	MPR Mounting Bracket	2
4	10003618	M16 X 130MM H/T BOLT NUT WASH	4
5	10001248	M16 x 32 Splice Bolt Grade 8.8	4
6	10006769	M16 x 40 Splice Bolt	2
7	10006771	MPR 70 Dia Slotted Washer	2
8	10006770	M16 Washer OD35 ID17 4mm thick	10
9	10007834	M16 Nut Grade 5.8	6
10	10006767	MPR End Piece	1



REV	DATE	DESCRIPTION	DRAWN	CHECKED	APPROVED
1	31-01-16	BOM UPDATED	MC	LG	MC

DRAWING NUMBER	REFERENCE DRAWINGS

	NAME	DATE
DRAWN	AR	29-10-2015
CHECKED	LG	29-10-2015
APPROVED	LG	29-10-2015
SCALE	N.T.S. @	A3
ISSUE FOR	INFORMATION ONLY	

**INGAL CIVIL PRODUCTS**  
A valmont COMPANY

DRAWING AND CONTENTS ARE COPYRIGHT TO INGAL CIVIL PRODUCTS AND CAN ONLY BE USED WITH PRIOR WRITTEN CONSENT FROM INGAL CIVIL PRODUCTS

57-65 AIRDS ROAD  
MINTO, N.S.W 2566

PH. +61 2 9827 3333  
www.ingalcivil.com.au

PROJECT	TITLE
	INGAL MPR - 3.81m NLL EZY-GUARD CONFIGURATION EXPLODED VIEW

INGAL CIVIL PRODUCTS PART No.	DRAWING No.
	ICP-MPR-006