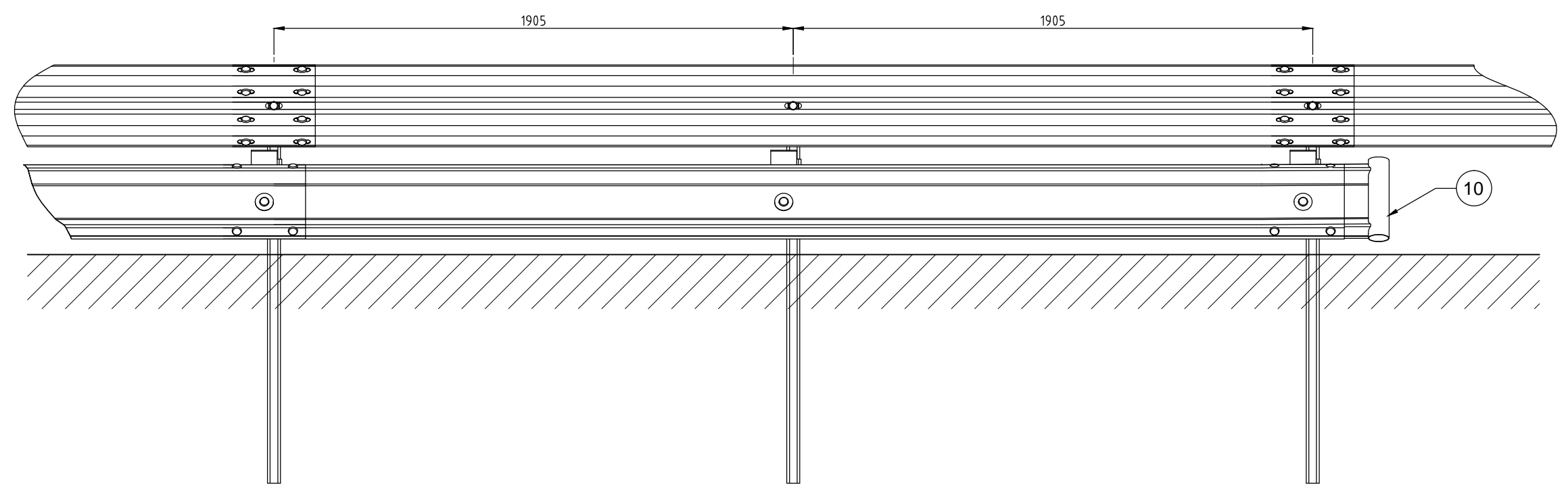
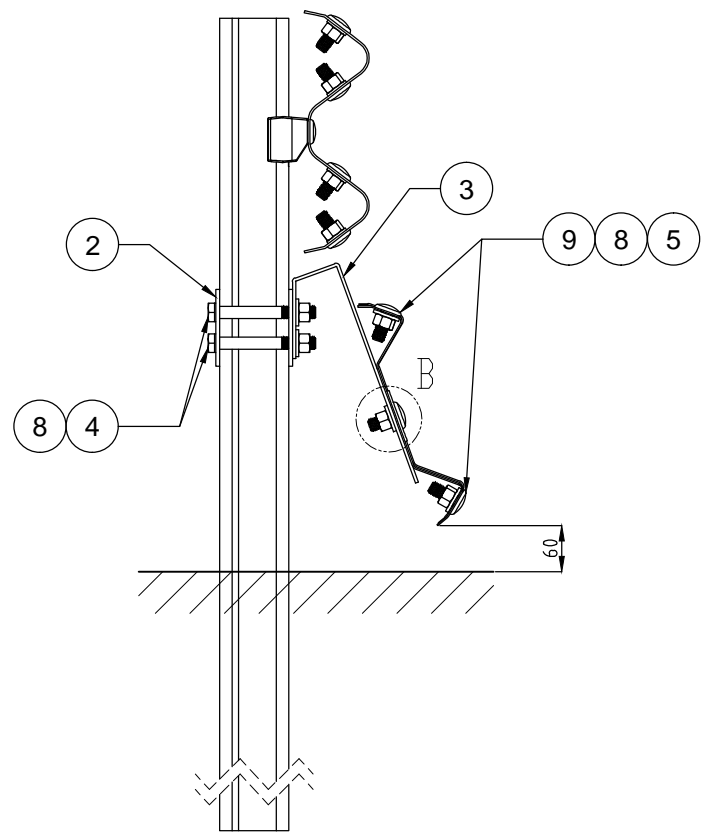
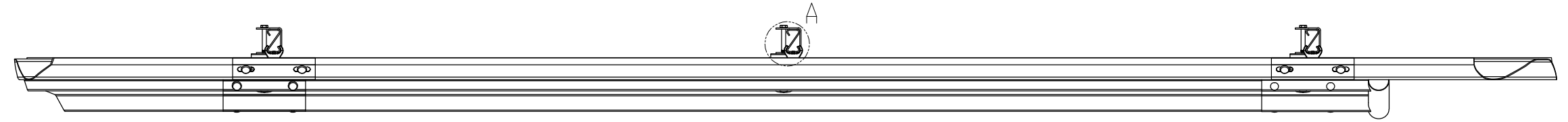
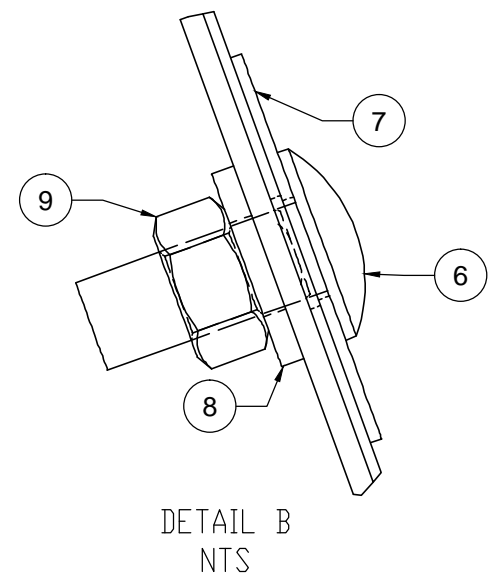
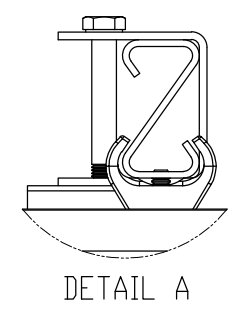
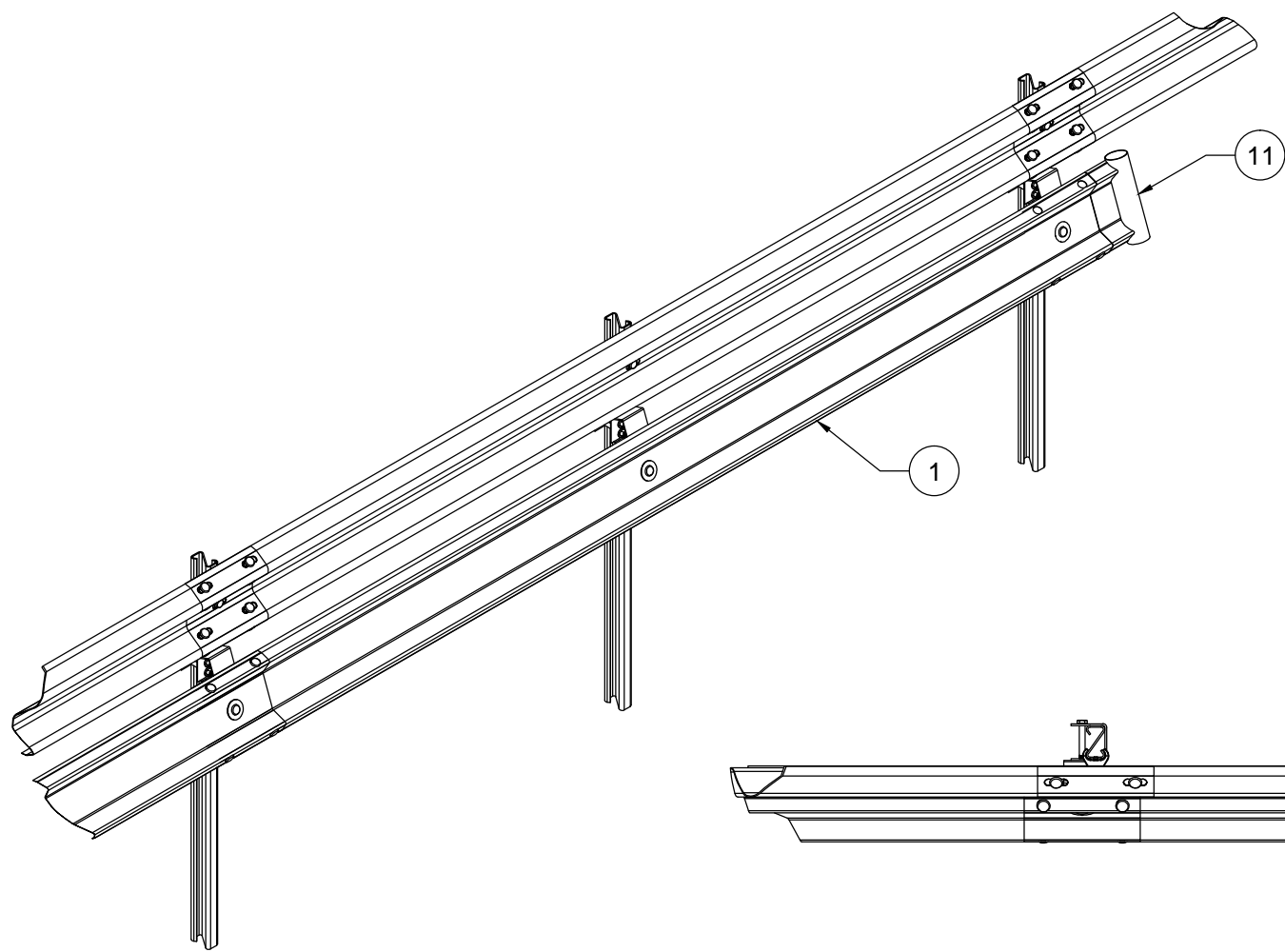


EZY-GUARD CONFIG - MPR BILL OF MATERIALS (3.81m)			
ITEM	QTY	PART NUMBER	DESCRIPTION
1	1	10007769	Motorcyclist protection beam
2	2	10007332	Z-Post Bracket
3	2	10006772	Rail mounting bracket
4	4	10003618	M16x130 Hex bolt/nut
5	4	10001248	Round head bolt M16x32
6	2	10006769	Round head bolt M16x40
7	2	10006771	Slot Washer $\phi 70 \times 2$
8	10	10006770	Washer $\phi 35 \times 17 \times 4$
9	6	10007834	M16 nut
10		10006767	MPR END TERMINAL



- NOTES:
- ALL STEELWORK TO BE HOT DIP GALVANISED AFTER FABRICATION TO AS/NZS 4680 AND STRAIGHTENED AFTER GALVANISING IF REQUIRED.
 - TO BE READ IN CONJUNCTION WITH EZY-GUARD PRODUCT MANUAL

REV	DATE	DESCRIPTION	DRAWN	CHECKED	APPROVED
2	31-08-16	PART NUMBERS AND LABELS ADDED TO DRAWING	MC	LG	
1	20-07-2015	BOM CORRECTION - ITEM 10	LG		

REV	DATE	DESCRIPTION	DRAWN	CHECKED	APPROVED
2	31-08-16	PART NUMBERS AND LABELS ADDED TO DRAWING	MC	LG	
1	20-07-2015	BOM CORRECTION - ITEM 10	LG		

NAME	DATE
DRAWN A.R.	29/10/2015
CHECKED LG	29/10/2015
APPROVED	
SCALE	N.T.S. @ A3
ISSUE FOR	INFORMATION ONLY

PROJECT	TITLE
INGAL CIVIL PRODUCTS 57-65 AIRDS ROAD MINTO, N.S.W AUSTRALIA 2566 PH. +61 2 9827 3333 FAX +61 2 9827 3300 www.ingalcivil.com.au	INGAL MPR MOTORCYCLIST PROTECTION 3.81m EZY-GUARD CONFIGURATION ASSEMBLY DETAILS

INGAL CIVIL PRODUCTS PART No.	DRAWING No.
10007895	ICP-MPR-007

J:\SALES & MARKETING\DRAWINGS\INGAL MPR\ICP-MPR-007 - EZY-GUARD 3.81M WITH MPR.DWG