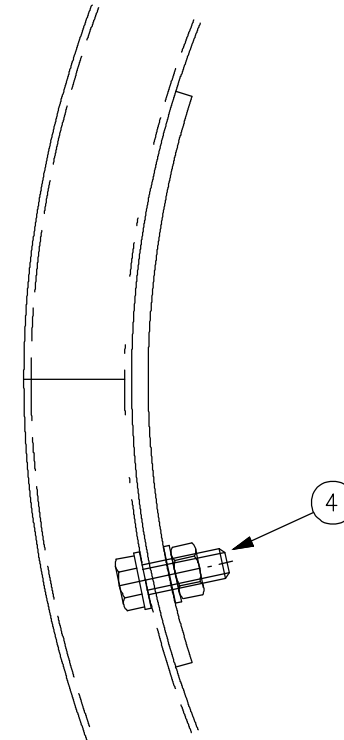
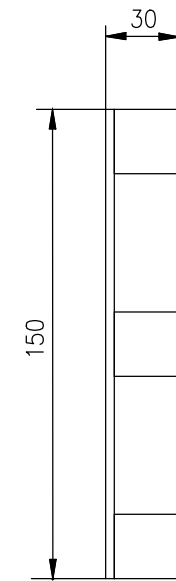


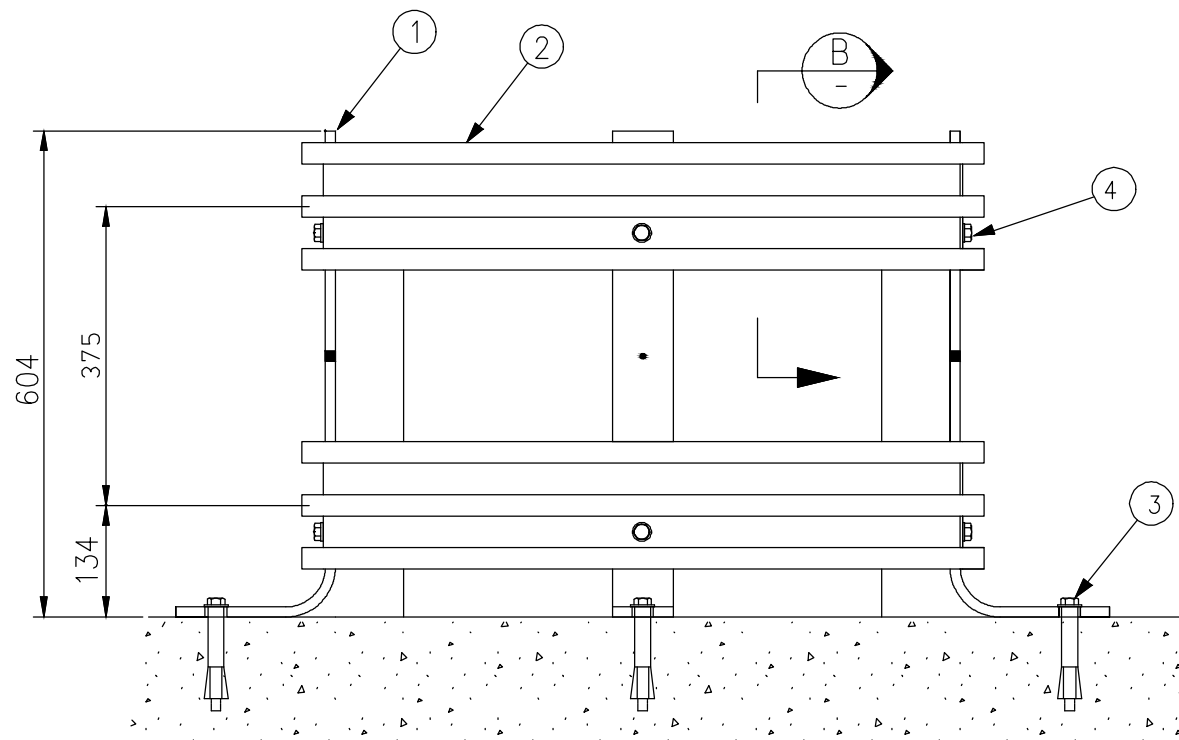
PLAN VIEW



DETAIL A



VIEW B



ELEVATION

- NOTES:
1. ALL DIMENSIONS ARE IN MILLIMETRES.
  2. HOLES FOR RAIL ATTACHMENT TO POSTS ARE TO BE DRILLED ON SITE.
  3. MATERIAL = AS SHOWN.
  4. FINISH = H.D.GALV.

BILL OF MATERIALS			
ITEM No.	PART No.	DESCRIPTION	QTY
1	10001701 (C1984)	610mm COLUMN BUFFA POST	4
2	10008297	1000mm DIA. RAIL SEMI CIRCLE	4
3	10001725	ANCHOR BOLT	4
4	10001727(C1999)	M12 x 45mm BOLT/NUT/WASHER	16

REV	DATE	DESCRIPTION	DRAWN	CHECKED	APPROVED
1	25-01-17	DWG NO UPDATED, BOTTOM PLATE REMOVED, BORDER CHANGE	MC	PP	PP

REV	DATE	DESCRIPTION	DRAWN	CHECKED	APPROVED

NAME	DATE
DRAWN PP	19-10-2016
CHECKED MC	19-10-2016
APPROVED PP	19-10-2016
SCALE N.T.S. @ A3	
ISSUE FOR INFORMATION ONLY	

**INGAL CIVIL PRODUCTS**  
A valmont COMPANY

DRAWING AND CONTENTS ARE COPYRIGHT TO INGAL CIVIL PRODUCTS AND CAN ONLY BE USED WITH PRIOR WRITTEN CONSENT FROM INGAL CIVIL PRODUCTS

57-65 AIRDS ROAD MINTO, N.S.W 2566 PH. +61 2 9827 3333 www.ingalcivil.com.au

PROJECT	TITLE
	COLUMN BUFFA 1000mm DIAMETER GENERAL ARRANGEMENT

INGAL CIVIL PRODUCTS PART No.	DRAWING No.
10008306	STB-101