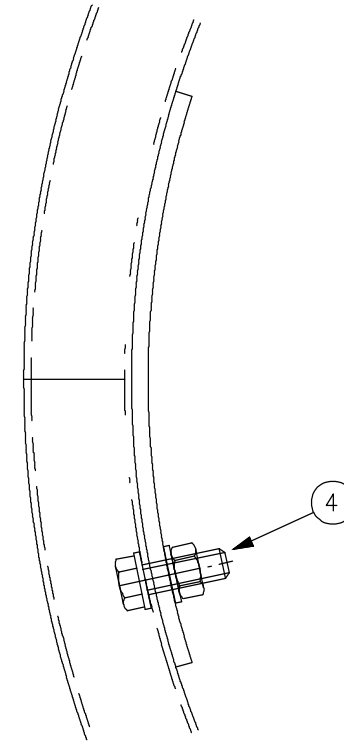
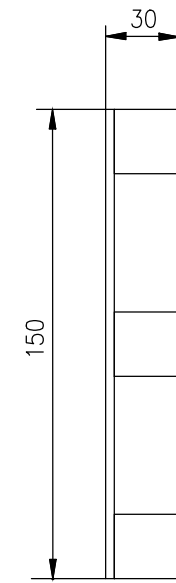


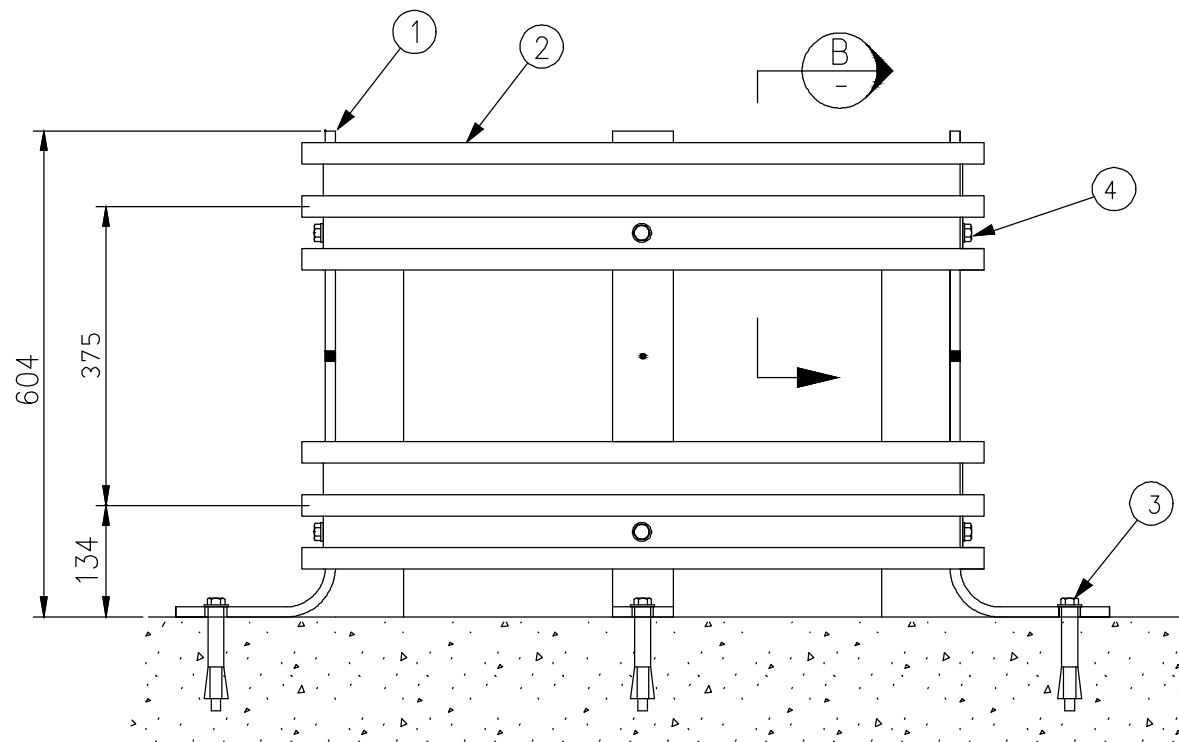
PLAN VIEW



DETAIL A



VIEW B



ELEVATION

- NOTES:
1. ALL DIMENSIONS ARE IN MILLIMETRES.
 2. HOLES FOR RAIL ATTACHMENT TO POSTS ARE TO BE DRILLED ON SITE.
 3. MATERIAL = AS SHOWN.
 4. FINISH = H.D.GALV.

BILL OF MATERIALS			
ITEM No.	PART No.	DESCRIPTION	QTY
1	10001701 (C1984)	610mm COLUMN BUFFA POST	4
2	10008305	750mm DIA. RAIL SEMI CIRCLE	4
3	10001725	ANCHOR BOLT	4
4	10001727(C1999)	M12 x 45mm BOLT/NUT/WASHER	16

REV	DATE	DESCRIPTION	DRAWN	CHECKED	APPROVED
1	25-01-17	DWG NO UPDATED, BOTTOM PLATE REMOVED, BORDER CHANGE	MC	PP	PP

REFERENCES	DRAWING NUMBER	REFERENCE DRAWINGS

	NAME	DATE
DRAWN	PP	19-10-2016
CHECKED	MC	19-10-2016
APPROVED	PP	19-10-2016
SCALE	N.T.S. @	A3
ISSUE FOR	INFORMATION ONLY	

DRAWING AND CONTENTS ARE COPYRIGHT TO INGAL CIVIL PRODUCTS AND CAN ONLY BE USED WITH PRIOR WRITTEN CONSENT FROM INGAL CIVIL PRODUCTS
 57-65 AIRDS ROAD MINTO, N.S.W 2566 PH. +61 2 9827 3333 www.ingalcivil.com.au

PROJECT	TITLE
INGAL CIVIL PRODUCTS PART No. 10008312	COLUMN BUFFA 750mm DIAMETER GENERAL ARRANGEMENT

DRAWING No.
STB-102