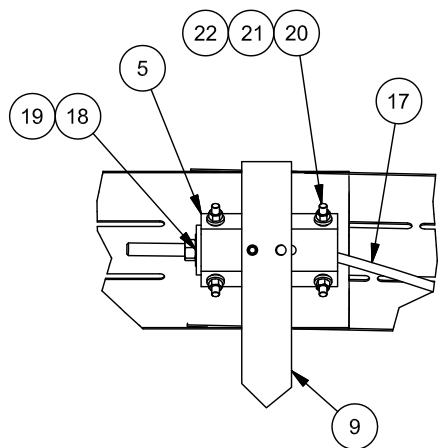
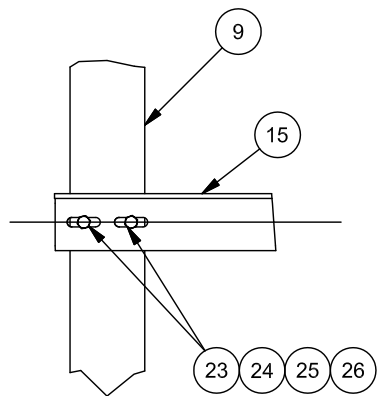


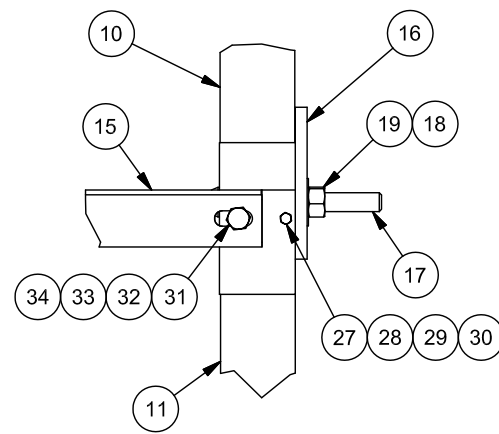
**DETAIL A**



**DETAIL B**

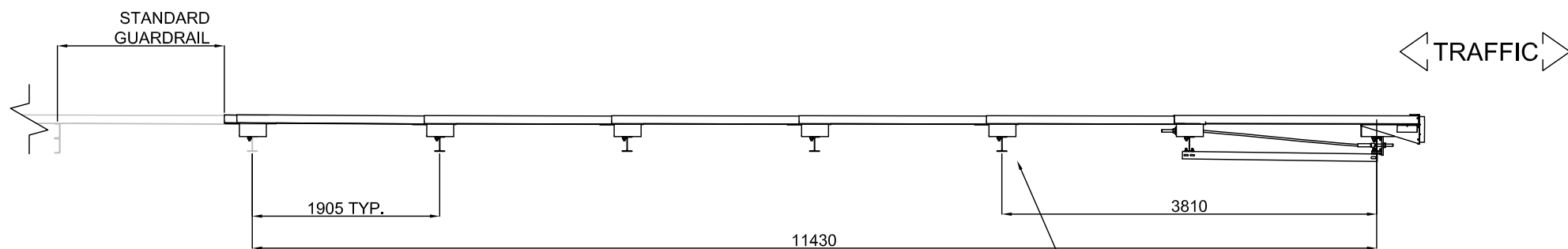


**DETAIL C**

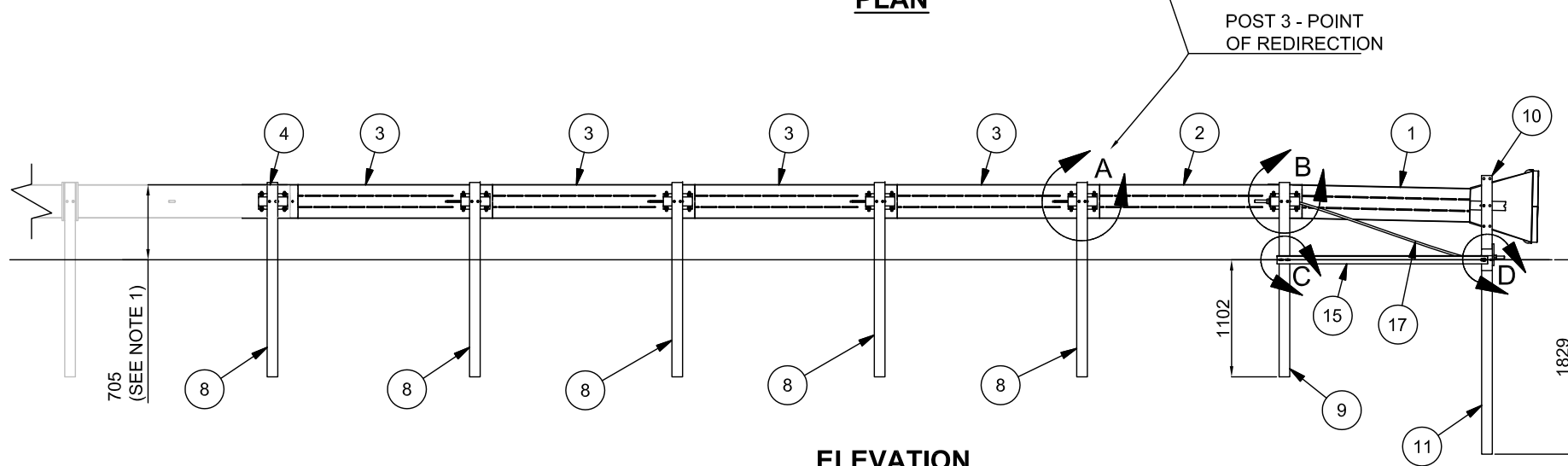


**DETAIL D**

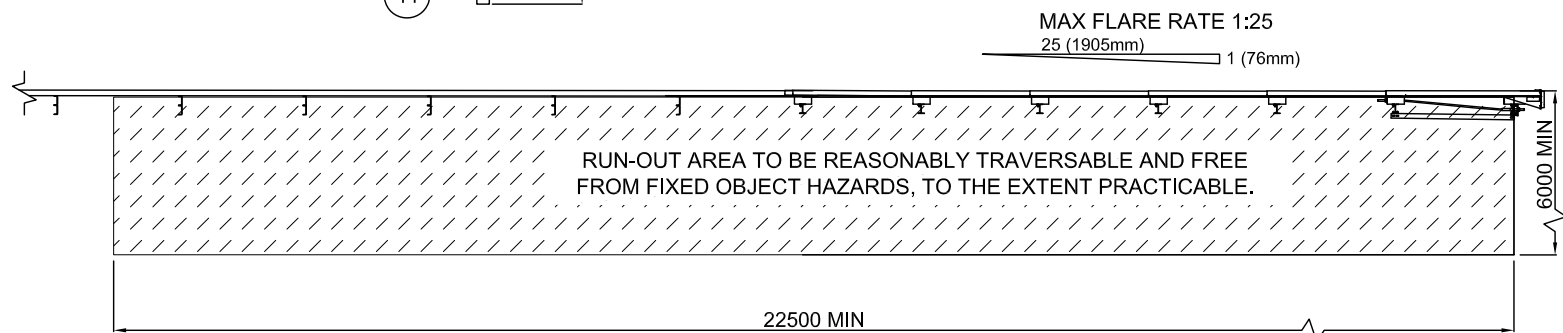
PARTS LIST			
ITEM	STOCK NO.	DESCRIPTION	QTY.
1	620708	HEAD/RAIL 350 TREND,G,W/DECAL	1
2	618192	RAIL,W-SHAPE,2228	1
3	618193	RAIL,W-SHAPE,2228,W/FIN	4
4	613554	RAIL,W/FIN,W-SHAPE,525	1
5	620727	SPACER,CABLE ANCHOR,350 TE	1
6	620726	SPACER,POST/RAIL,350 TE	5
7	604465	BACKING PLATE,POST,TE	6
8	000533	1830mm POST/8.5/DDR	5
9	014578	1830mm PST/8.5#/SYTP	1
10	034074	TRND350 HBA BKY PST'2'8.75W/6 HOLES	1
11	033873	ET HBA P1-2 BTM X 6-1 1/2	1
12	003403	5/8"X2" HEX BOLT A307	7
13	617000	WASHER,BAR,1/4X2X89M,W/SLOT	6
14	003340	5/8" GR HEX NUT	7
15	033795	SYT-3"AN STRT 3-HL 6'6	1
16	000782	5/8" X 8" X 8" BEARING PLATE	1
17	118439	2m CABLE,95 1/2,350TE	1
18	003900	1" ROUND WASHER F844	2
19	003910	1" HEX NUT A563	2
20	118614	BOLT,RAIL,5/8X2,G5,G	34
21	118615	WASHER,FLAT,5/8,THICK,G	34
22	003361	5/8" HVY HEX NUT A563 DH	34
23	004390	7/16"X1.5" HEX BOLT GRD 5	2
24	004389	7/16" WASHER F844	2
25	004393	7/16" LOCK WASHER	2
26	004396	7/16" HEX NUT A563 DH	2
27	006321	3/8"X2" HEX BOLT GR-5 HDG	2
28	004254	3/8" ROUND WASHER F436	2
29	004258	3/8" LOCK WASHER	2
30	006405	3/8" HVY HEX NUT A563GRDH	2
31	003717	3/4"X2.5" HEX BOLT A325	2
32	003701	3/4" ROUND WASHER F436	2
33	004699	3/4" LOCK WASHER	2
34	003704	3/4" HVY HEX NUT A563 DH	2
35	617939	MANUAL,PRODUCT,TREND 350 TANGENT	1



**PLAN**



**ELEVATION**



- NOTES:**
- SYSTEM CAN BE ATTACHED TO DOWNSTREAM GUARDRAIL WITH HEIGHTS UP TO 790mm.
  - THE APPROACH TERRAIN SHOULD BE LEVEL, OTHERWISE MAXIMUM GRADING TO 1V:10H.
  - MAX DEFLECTION FOR REDIRECTIVE STAGE: 1.2m.

REV	DATE	DESCRIPTION	DRAWN	CHECKED	APPROVED
3	19-10-2015	POST 8 ADDED	AUSC	LG	LG
2	08-01-2015	NOTES & DETAIL ADDED	AUSC	LG	LG
1	03-12-2014	FLARE DETAIL ADDED	AUSC	LG	LG

DRAWING NUMBER	REFERENCE DRAWINGS

	NAME	DATE
DRAWN	TRN	16-08-2010
CHECKED	BS	21-11-2014
APPROVED	LG	21-11-2014
SCALE	N.T.S. @	A3
ISSUE FOR	INFORMATION ONLY	

**INGAL CIVIL PRODUCTS**  
 57-65 AIRDS ROAD  
 MINTO, N.S.W  
 AUSTRALIA 2566  
 PH. +61 2 9827 3333  
 FAX +61 2 9827 3300  
 www.ingalcivil.com.au

DRAWING AND CONTENTS ARE COPYRIGHT TO  
 INGAL CIVIL PRODUCTS AND CAN ONLY BE USED  
 WITH PRIOR WRITTEN CONSENT FROM INGAL CIVIL  
 PRODUCTS

PROJECT	TITLE
	TREND 350 END TERMINAL GENERAL ARRANGEMENT SHEET 1 OF 2

INGAL CIVIL PRODUCTS PART No.	DRAWING No.
	TR-STD-001