

valmont 
INDIA

Your Highway, Roadway and
Street Lighting Solution.



STREET LIGHTING POLES

Valmont is recognized throughout the world as an industry leader in engineered support structures and irrigation equipment. With more than 65 years of experience, Valmont has knowledge, expertise and resources to provide the highest quality products and services to the industry on time.

Valmont has been actively selling in the Indian market since 2007 and supplies its quality products from its state of the art pole manufacturing and galvanizing facility at Indapur, Pune district, Maharashtra.

You can depend on Valmont's high quality galvanized steel poles for an appealing solution to your roadways and street lighting needs. Refer overleaf for the range and specifications. We offer round tapered, octagonal type of poles and brackets & accessories. Valmont can offer Galvanised and powder coated poles also to the Indian market for better finish and aesthetics.

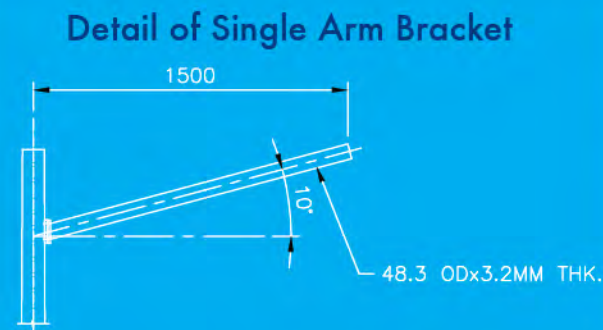
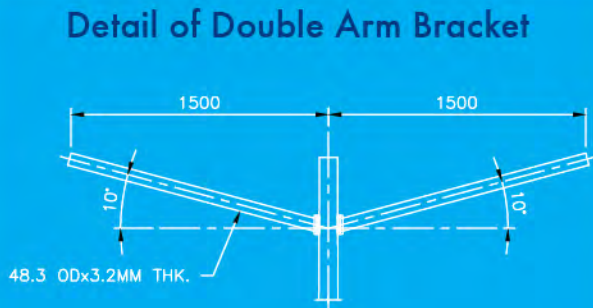
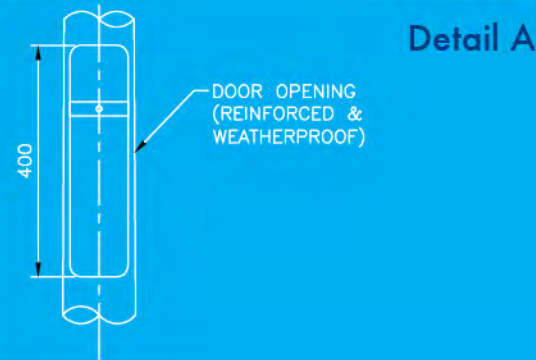
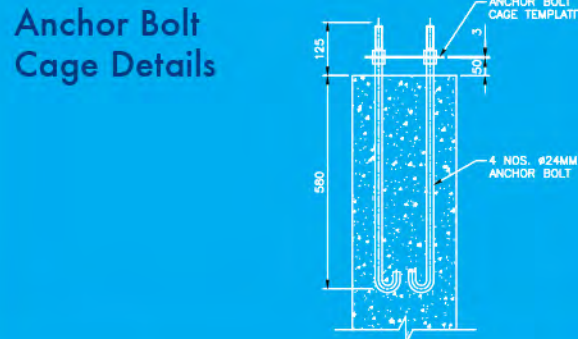
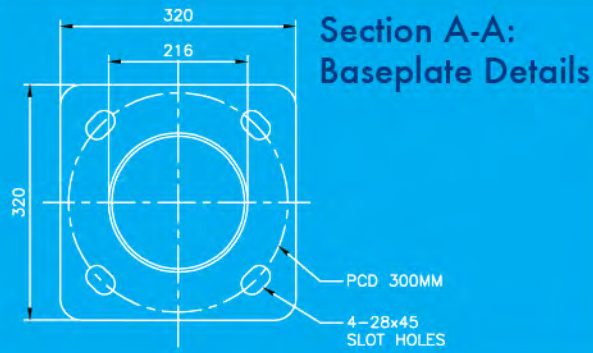
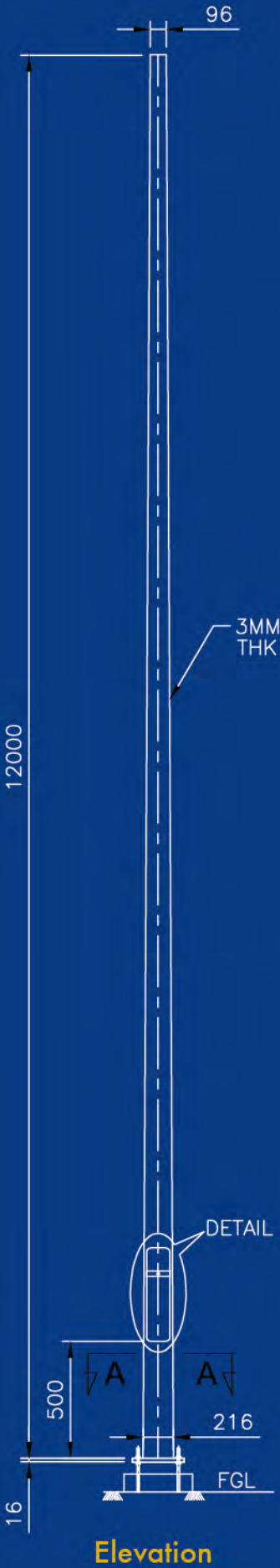
Meeting the needs of you, our customer is our top priority no matter how large or small your order whether it's standard product or specifically designed to meet your requirements our focus is to provide a quality product on time and per agreed standards.

We are your reliable partner for your lighting needs.



For more than 65 years Valmont has offered steel pole and str

Typical drawing of a round conical pole



Structures to meet the most demanding requirements worldwide.

OCTAGONAL POLES - STANDARD SPECIFICATIONS

Height (m)	Top Diameter (A/F) mm	Bottom Diameter (A/F) mm	Shaft Thick. (T) mm	Base Plate NEW		Foundation Bolt (EN 8 Grade)				
				Dimensions (LxBxt) mm	Yield Stress in N/mm ²	J-Bolt (Nos.xdia. (mm))	Yield Stress in N/mm ²	Pitch Circle Dia. (PCD) mm	Bolt Length (mm)	Projected Bolt Length (mm)
3	70	130	3	200x200x12	240	4x16	280	200	450	80
4	70	130	3	200x200x12	240	4x16	280	200	450	80
5	70	130	3	200x200x12	240	4x16	280	200	600	80
6	70	130	3	220x220x12	345	4x20	280	205	600	100
7	70	130	3	220x220x14	345	4x20	280	205	700	100
8	70	135	3	225x225x16	345	4x20	280	210	750	100
9	70	155	3	260x260x16	345	4x24	280	250	750	125
10	70	175	3	275x275x20	345	4x24	280	270	750	125
11	90	210	3	300x300x20	345	4x24	280	300	850	125
12	90	240	3	320x320x20	345	4x24	280	325	850	125

CONICAL POLES - STANDARD SPECIFICATIONS

Height (m)	Top Diameter (A/F) mm	Bottom Diameter (A/F) mm	Shaft Thick. (T) mm	Base Plate NEW		Foundation Bolt (EN 8 Grade)				
				Dimensions (LxBxt) mm	Yield Stress in N/mm ²	J-Bolt (Nos.xdia. (mm))	Yield Stress in N/mm ²	Pitch Circle Dia. (PCD) mm	Bolt Length (mm)	Projected Bolt Length (mm)
3	75	105	3	200x200x12	240	4x16	280	200	450	80
4	75	115	3	200x200x12	240	4x16	280	200	600	80
5	75	125	3	200x200x12	240	4x16	280	200	600	80
6	75	135	3	225x225x12	345	4x20	280	210	600	100
7	75	145	3	240x240x12	345	4x20	280	235	700	100
8	75	155	3	240x240x14	345	4x20	280	235	750	100
9	75	165	3	275x275x16	345	4x24	280	270	850	125
10	75	175	3	275x275x16	345	4x24	280	270	850	125
11	85	195	3	300x300x16	345	4x24	280	300	850	125
12	96	216	3	320x320x16	345	4x24	280	300	850	125



valmont 
INDIA

Pune Office:
Unit 403, 4th floor, Pentagon 4,
Magarpatta City,
Hadapsar. Pune - 4110028
T: +91 20 30403830

Mumbai Office:
909/910, FILIX,
LBS Marg, Bhandup (W)
Mumbai 400 078, India.
Tel: +91 22 25952580

Delhi Office:
Level 12, Building No. 8, DLF Cyber City,
Phase II, Gurgaon - 122002, India.

Factory:
A-20, Indapur Industrial Area, MIDC,
Indapur, Pune (Dist) Pin 413132, India.

www.valmont.com
E-mail: sales.india@valmont.com