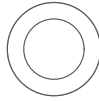




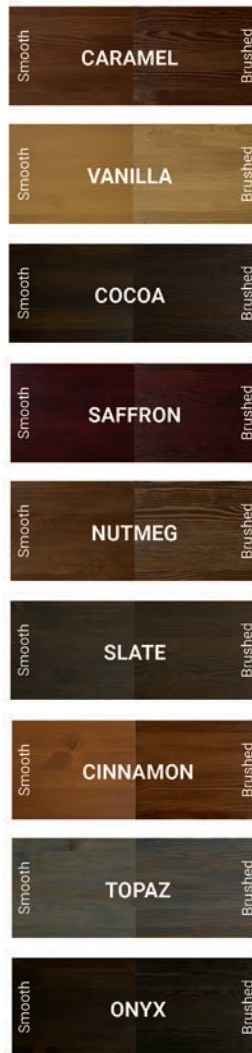
Cross Section



Dart Square - 2T
(Standard)



Finish Options



INARI

Round Non-Tapered Decorative Wooden Pole

Pole Shaft – Wood shafts are manufactured from glued-laminated timber. The raw materials used are harvested from sustainability managed, PEFC certified forests in Finland. Wood shaft combined with a steel base section.

Handhole – All pole assemblies are provided with a 15.75" x 3.35" rectangular handhole located 19.69" from the base plate.

Base Cover – A two-piece square Dart (2T) spun aluminum cover is provided with each pole assembly.

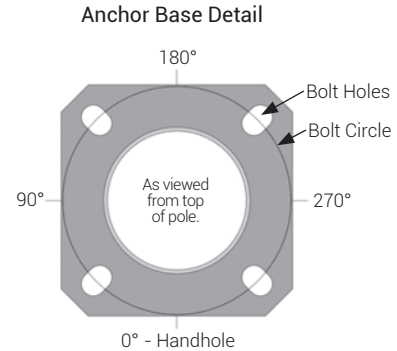
Anchor Bolts – Anchor bolts conform to ASTM F1554 Grade 55 and are provided with two hex nuts and two flat washers. Bolts have an "L" bend on one end and are galvanized a minimum of 12" on the threaded end.

Finish – Wood pole section is finished with a water-based stain consisting of four protective coats. Multiple color stain options available (see below). The galvanized steel pole section, comes with a polyester silver grey powder applied coating finish in accordance with the Valmont® Structures specifications.

INARI Round Non-Tapered Decorative Wooden Pole

Anchorage Data

INARI	Base Plate		Anchor Bolts (IN)		
	Bolt Circle	Width	Dia x Length x Hook	Projection	+/-
4	11.13"	10.63	.75 x 17.00 x 3.00	3.75	0.5
5	11.13"	10.63	.75 x 17.00 x 3.00	3.75	0.5
6	11.13"	10.63	.75 x 17.00 x 3.00	3.75	0.5



Designation, Load and Dimensional Data

INARI	Pole Dimensions					Design Information					
	Height (ft)	Top ø	Base ø	Steel Section Height	Internal Pole Dimensions	90		100		110	
						Max EPA	Max Weight	Max EPA	Max Weight	Max EPA	Max Weight
4	13.12	5.51	5.51	51.18	w3.15* d3.54	12.4	310	9.8	245	8	200
5	16.40	5.51	5.51	51.18	w3.15* d3.54	9	225	7	175	5.6	140
6	19.69	5.51	5.51	51.18	w3.15* d3.54	6	150	4.6	115	3.6	90

1. EPA values are calculated using fastest mile winds. EPA represents the Effective Projected Area of each luminaire. Designs are limited to top mount or side-mount luminaires. Variations from sizes above are available upon inquiry at the factory. Satisfactory performance of poles is dependent upon the pole being properly attached to a supporting foundation of adequate design. Structure weight is a nominal value which includes the pole shaft and base plate. * Shafts may be a two piece assembly.

Wind loading is based on AASHTO LTS-6 (2013) design.

Job Name:	_____
Job Location - City:	_____ State: _____
Quote:	_____
Client Name:	_____
Created By:	_____ Date: _____
Customer Approval:	_____ Date: _____

