

Features:

- Attaches to angle adapters, tower standoffs, etc. with 3/8" hardware (not included)
- Accepts hose clamps or 1/2" banding to attach directly to round members
- For use with Stackable Snap-In Hangers only
- When used with 1-1/4" or 1-5/8" Monobloc Stackable Snap-Ins the centre hole cannot be used

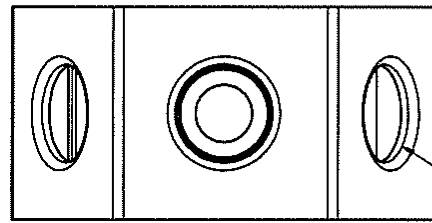
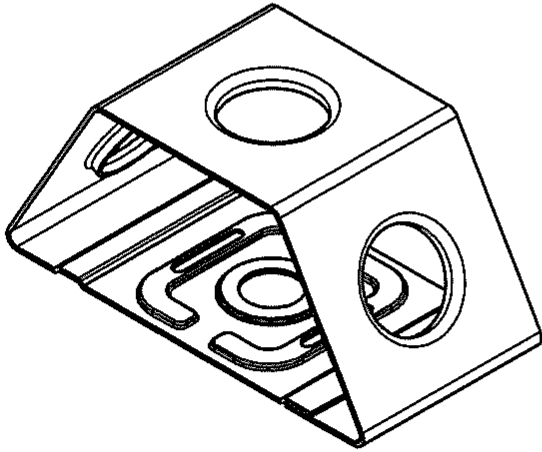
Construction:

- Constructed from high grade 304 stainless steel for maximum corrosion protection

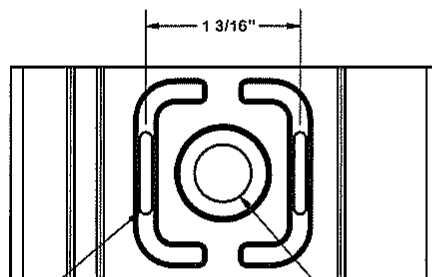
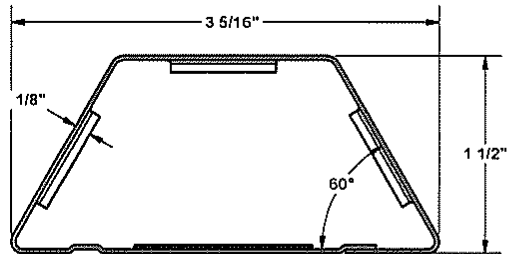
Design Criteria:

- Three 3/4" mounting holes, maximum load is six 1-5/8" cables
- Can be used outdoors or indoors

Part #	Size	Unit Weight	U of M
TRAP3	3-1/4" x 1-1/2" x 1-1/2"	0.05kg	10 pack



3/4" HOLE
TYP. 3 PLACES



1/8" X 5/8" SLOT
FOR 1/2" BANDING

7/16" DIA. HOLE
(BOTTOM ONLY)