



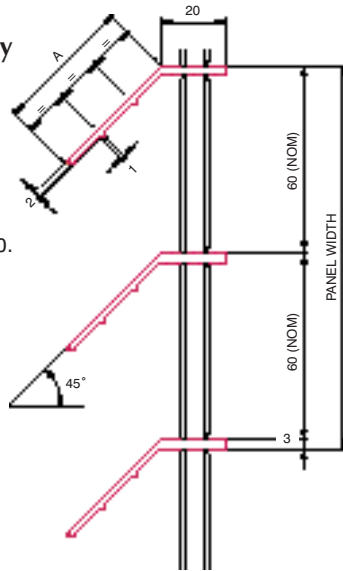
## LOUVRE PROFILES

### AND PANEL WIDTHS

All measurements in mm

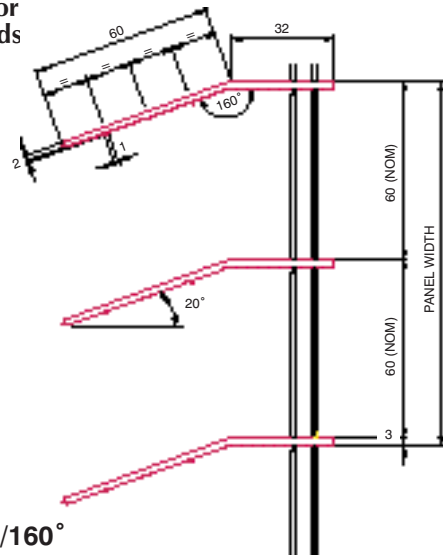
Suitable for  
Wind Loads Only

A	Section No.
43mm	SS203/43
54mm	SS203/54
60mm	SS203/60
80mm	SS203/80



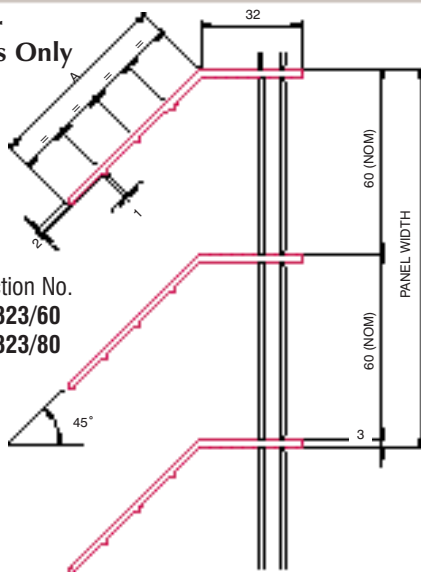
Suitable for  
Wind Loads

SS323/60/160°



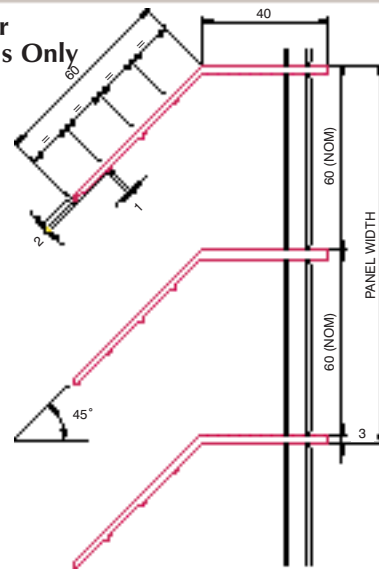
Suitable for  
Wind Loads Only

A	Section No.
60mm	SS323/60
80mm	SS323/80



Suitable for  
Wind Loads Only

SS403/60



#### PANEL WIDTHS

At 60mm Centres  
Width mm      No. of Bars

123	3
180	4
239	5
298	6
357	7
416	8
475	9
534	10
593	11
652	12
711	13
770	14
829	15
888	16
947	17
1006	18

At 30mm Centres  
Width mm      No. of Bars      Width mm      No. of Bars

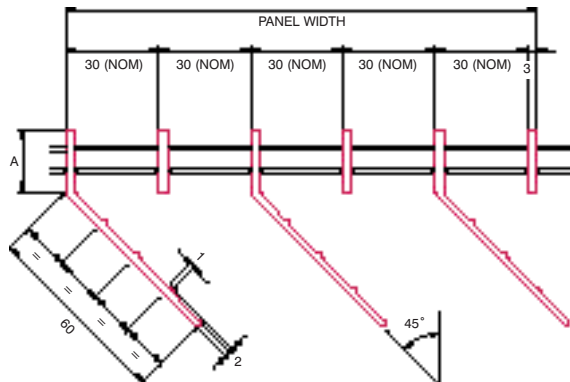
123	5	593	21
153	6	623	22
180	7	652	23
210	8	682	24
239	9	711	25
269	10	741	26
298	11	770	27
328	12	800	28
357	13	829	29
387	14	859	30
416	15	888	31
446	16	918	32
475	17	947	33
505	18	977	34
534	19	1006	35
564	20		

Add 2mm to panel widths for screen profiles with 5mm load bars



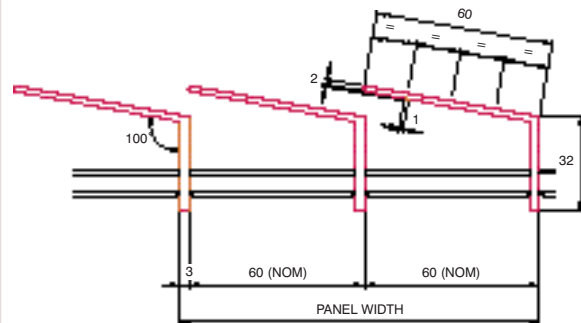
All measurements in mm

Suitable for Wind Loads and Live Loads



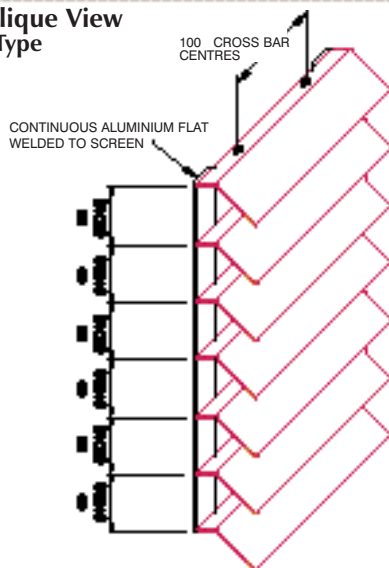
SC203/60 A = 20mm  
 SC323/60 A = 32mm  
 SC403/60 A = 40mm

Sun Control Light Shelf System  
 Suitable for Wind Loads Only

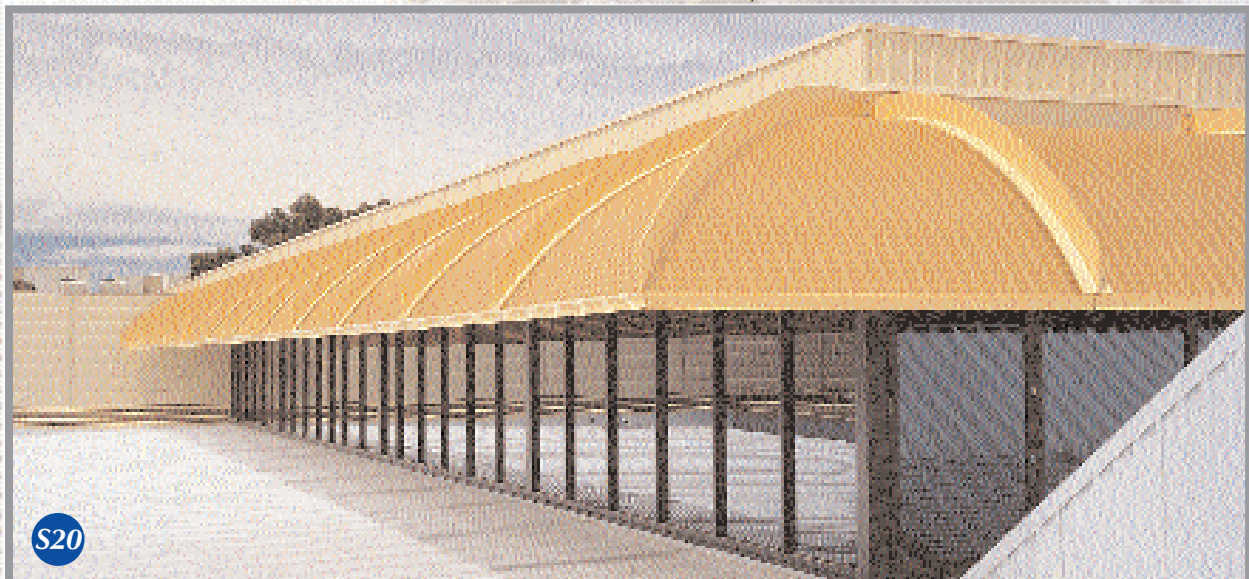


SS323/60/100°

Oblique View  
 SS Type



Sydney Sports Ground, Moore Park, NSW,  
 SS203/60 louvre & DAN017 extruded frame



Regency TAFE, Regency Park, SA,  
 SS203/60 roll curved louvre  
 with structural "T" section framing