

INGAL *EPS*

A **valmont**  COMPANY



Platform System



INGAL **EPS**

A **valmont**  COMPANY

INGAL EPS is recognised throughout Australia as an industry leader in engineered products and services for poles, columns, and structures. We grow our business by leveraging our existing products, markets, and processes. Essential to our success is a company-wide commitment to customer service, innovation, and our ability to be the best cost producer for all of the products and services that we provide. Recognising that our employees are the cornerstone of our accomplishments, we pride ourselves on being people of passion and integrity who excel at delivering customer service.

First established in 1969, **INGAL EPS** is Australia's leading manufacturer of quality poles, columns, and structures. As part of Valmont Industries, **INGAL EPS** is proud to be part of a large network of trained specialists who can offer customer solutions for any structural pole design requirement.

INGAL EPS understands that plans and schedules change; we add value by utilising our global networks to provide products and services to suit your project's critical path requirement.

INGAL EPS aspires to maintain and strengthen its position as Australia's most efficient supplier of quality poles, columns, and structures by supplying products and services that consistently exceed customer expectations:

Rapid Stock

INGAL EPS is able to provide a rapid response to your needs by utilising shelf stock from one of our distribution centres. Depending on your location, we can deliver stock within 48 hours.

Made to Order

By planning the manufacture of your order in one of our facilities, you can optimise its cost and lead time.

Project Management

Our capability in meeting your critical path requirements are our key strength. You can choose from our standard range or we can provide custom designs to manufacture your order.

Contents

Technical Specifications.....	Page 4
Features and Benefits	Page 5
Hinged Poles	
2.3m and 3.0m Platform Mounted Pole	Page 6
2.3m Structure Mounted Pole.....	Page 7
3.0m Baseplate Mounted Pole	Page 8
Pole Fixing Brackets	
Fixing Bracket.....	Page 9
Junction Box Mounting Bracket.....	Page 9
Outreach Options	
Spigot Adaptor, Double Sided (15° Upcast, 34OD).....	Page 10
Spigot Adaptor, Bull Horn (0° Upcast, 34OD).....	Page 10
Spigot Adaptor, (0° Upcast, 34OD).....	Page 11
Spigot Adaptor (15° Upcast, 34OD).....	Page 11
Floodlight Mounting Adaptor.....	Page 12
XSTA Spigot Adaptor.....	Page 12
Fluorescent Mounting Adaptor (1200, 42OD).....	Page 13
Luminaire Mounting Brackets	
Floodlight Mounting Bracket (360° Adjustable).....	Page 14
Column/Wall Mounting Luminaire Bracket	Page 15
Wall-Mounted Bracket (Adjustable).....	Page 16
Ceiling-Mounted Bracket (Adjustable)	Page 16



Technical Specifications

Material

All INGAL EPS hinged walkway poles and brackets are manufactured from structural steel that is hot-dipped galvanized to Australian Standard AS/NZS 4680 or equivalent.

Other material and manufacturing standards include:

- Steel Pipe: AS 1163 or equivalent
- Steel Plate: AS/NZS 3678 or equivalent
- Welding: AS 1554.1 or equivalent

Design Standards

- INGAL EPS hinged walkway poles are designed to meet the requirements of the following standards:
- AS 4100 Steel Structures
- AS 1657 Fixed platforms, walkways, stairways, and ladders (design, construction, and installation)
- AS/NZS 1170.2 Structural design actions (wind actions)
- AS/NZS 4600 Cold Formed Steel Structures

Wind Loading

Poles and Brackets are suitable for all Wind Regions A,B, and C, and Terrain Categories 2 and 3.

Maximum Service Weight of Light Fittings

To ensure operator ease of use when lowering, the combined weight of all the light fittings on a walkway pole should be limited to 12.0kg.



Features and Benefits

Efficiency

It is a one man operation to maintain the luminaire; the maintenance operator simply unlocks the toggle to lower the pole. The pole rotates at a shoulder height hinge to rest in the maintenance position. The operator can then use two hands to maintain the luminaire.

Ease of Assembly

The Platform System consists of 4 main components:

- The hinged pole (see page 6 for options)
- Adjustable mounting brackets (see page 9)
- The outreach (see page 10 for options)
- Adjustable control box mount plates (see page 9)

Flexibility of Design

- The hinged poles can be mounted to the supporting structure or a stanchion.
- The outreach can be rotated 360° to the required position for operation or service.
- Platform mounts can be adjusted up and down to suit.
- Control boxes can be located in a convenient position.

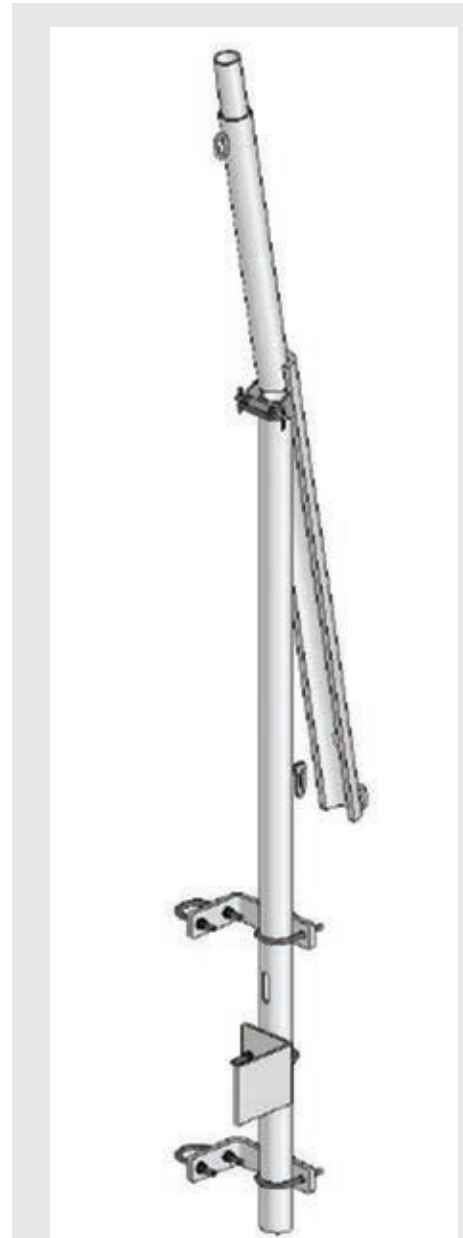
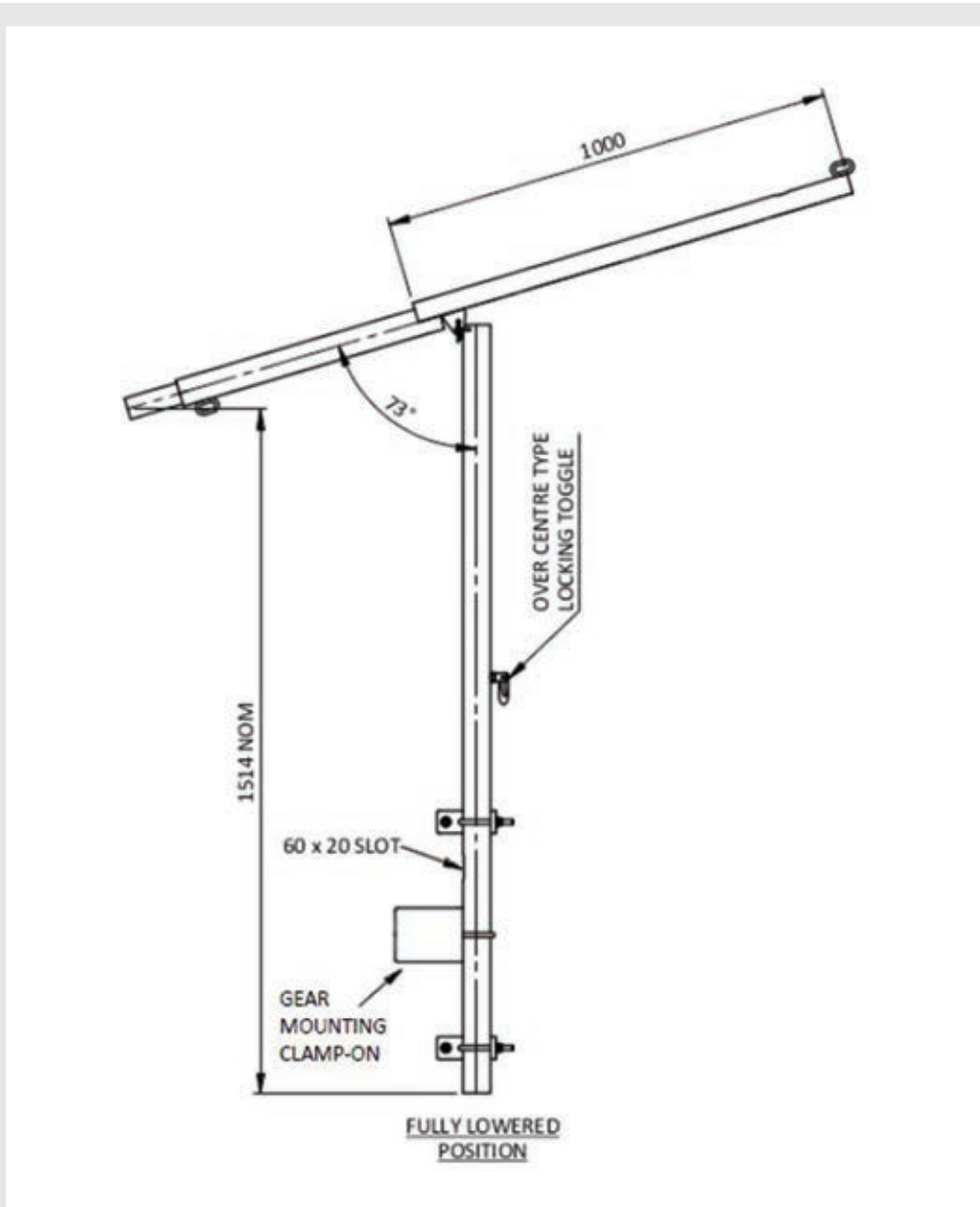
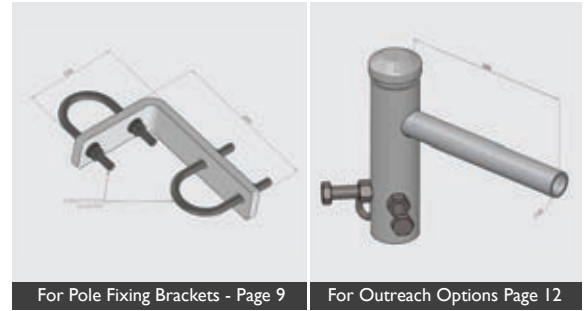
Minimising Interference

The pole does not rest on the handrail when in the maintenance position; the hinge is located higher up the pole to keep it away from wiring and other services near the pole base.

This System Brochure depicts the basic range. Variations are available. Please contact us on 1800 623 302 for further information.

Hinged Poles

2.3m and 3.0m Platform Mounted Pole

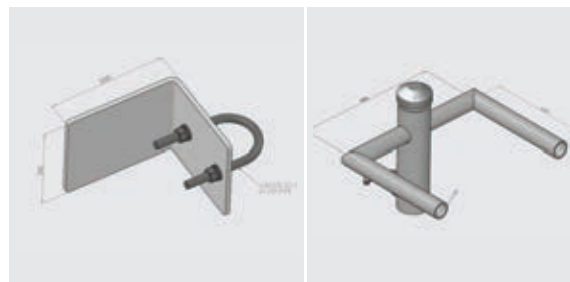


Product Code	
2.3m	3.0m
HP23R-GA5895-86*	HP3R-GA5896-86*
General Arrangement Drawing Number	
2.3m	3.0m
GA5895	GA5896

*Product includes fixing brackets and junction box bracket

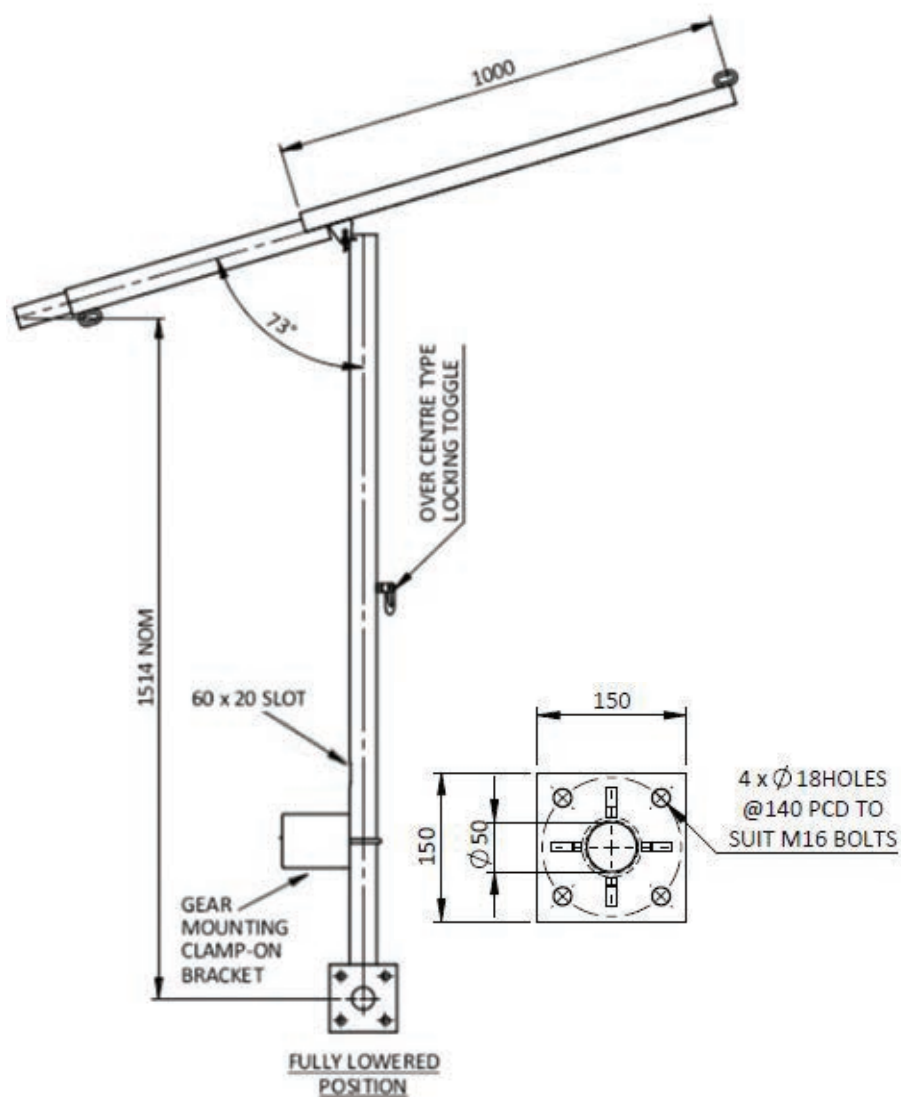
Hinged Poles

2.3m Structure Mounted Pole



Pole Fixing Brackets - Page 9

Outreach Options Page 12



Product Code

2.3m

HP23R-GA5945-86*

General Arrangement Drawing Number

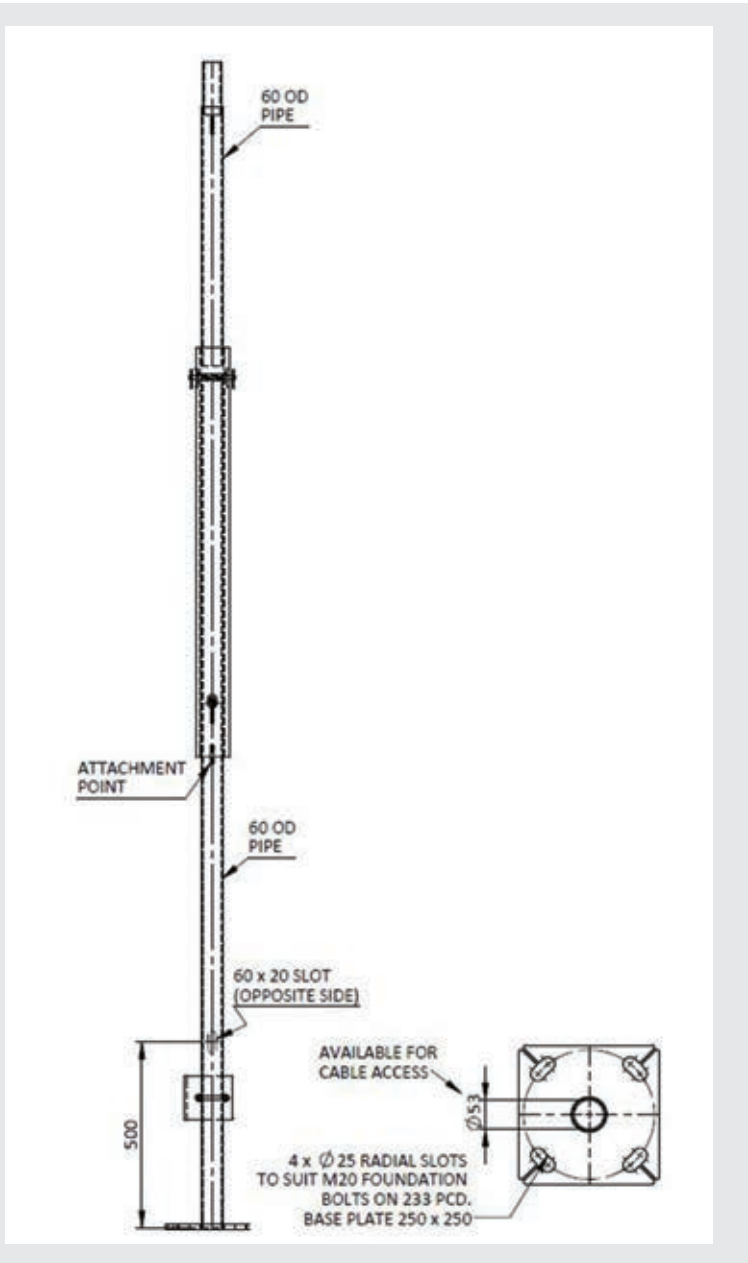
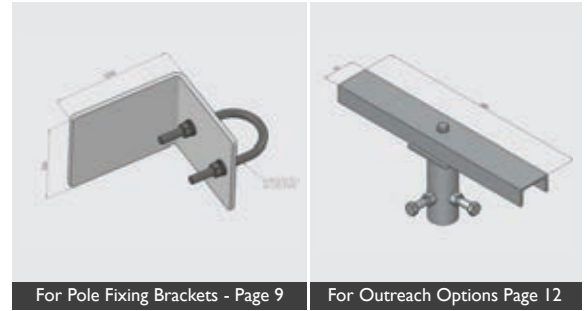
2.3m

GA5945

*Product includes fixing brackets and junction box bracket

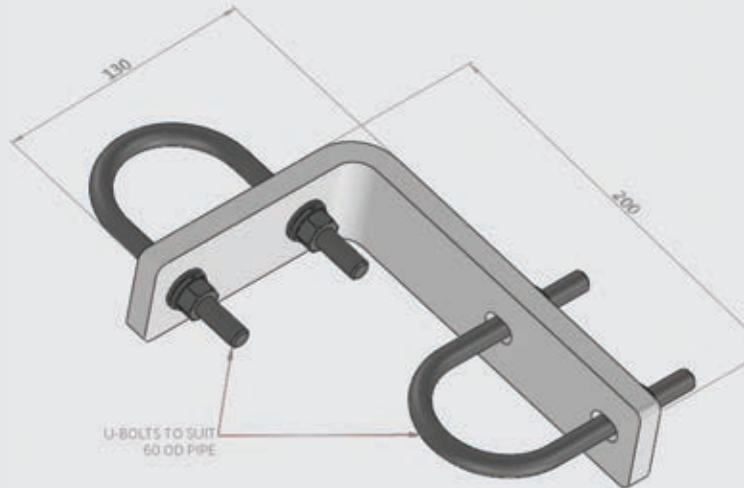
Hinged Poles

3.0m Baseplate Mounted Pole



Product Code	3.0m
	HP3F-GA5897-86
General Arrangement Drawing Number	3.0m
	GA5897

Pole Fixing Brackets



Fixing Bracket

Product Code

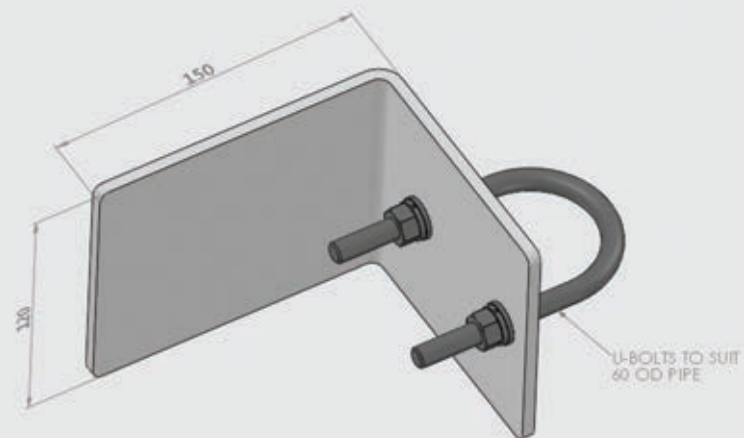
Fixing Bracket

XBRKT-GA5915-86

General Arrangement Drawing Number

Fixing Bracket

GA5915



Control Box Mounting Bracket

Product Code

Control Box Mounting Bracket

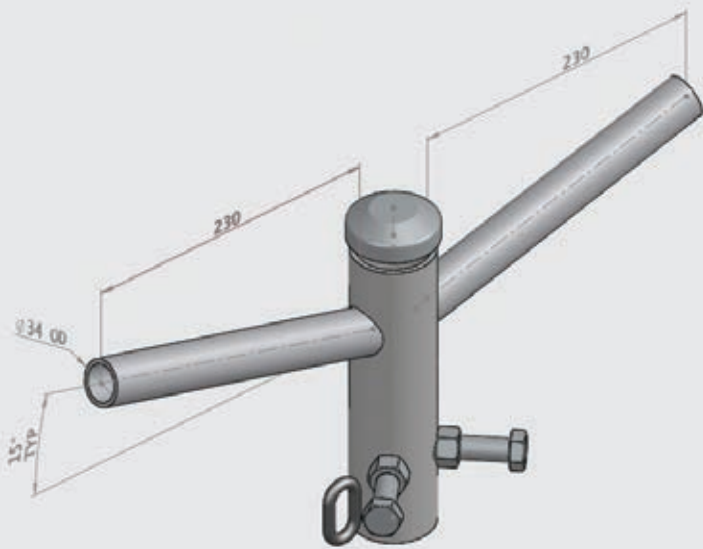
XBRKT-GA5916-86

General Arrangement Drawing Number

Control Box Mounting Bracket

GA5916

Outreach Options



Spigot Adaptor, Double Sided (15° Upcast, 34OD)

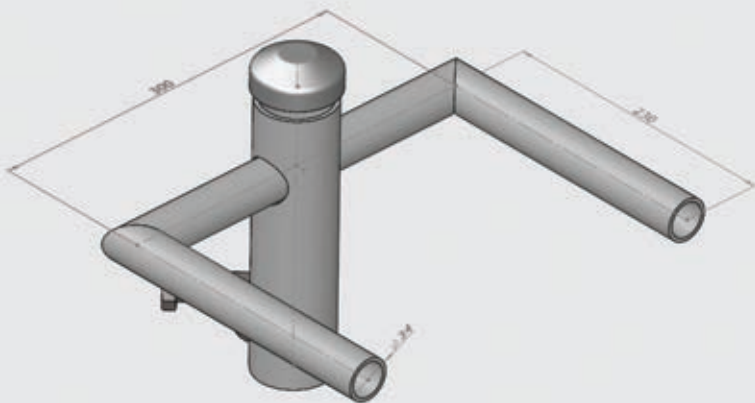
Spigot Adaptor, Double Sided (15° Upcast, 34OD)

XSAD-GA5939-86

General Arrangement Drawing Number

Spigot Adaptor, Double Sided (15° Upcast, 34OD)

GA5939



Spigot Adaptor, Bull Horn (0° Upcast, 34OD)

Spigot Adaptor, Bull Horn (0° Upcast, 34OD)

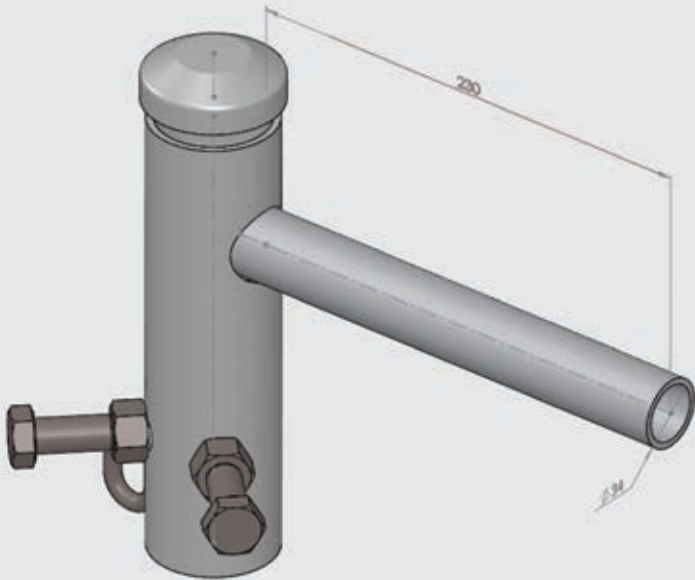
XBH-GA5941-86

General Arrangement Drawing Number

Spigot Adaptor, Bull Horn (0° Upcast, 34OD)

GA5941

Outreach Options



Spigot Adaptor (0° Upcast, 34OD)

Product Code

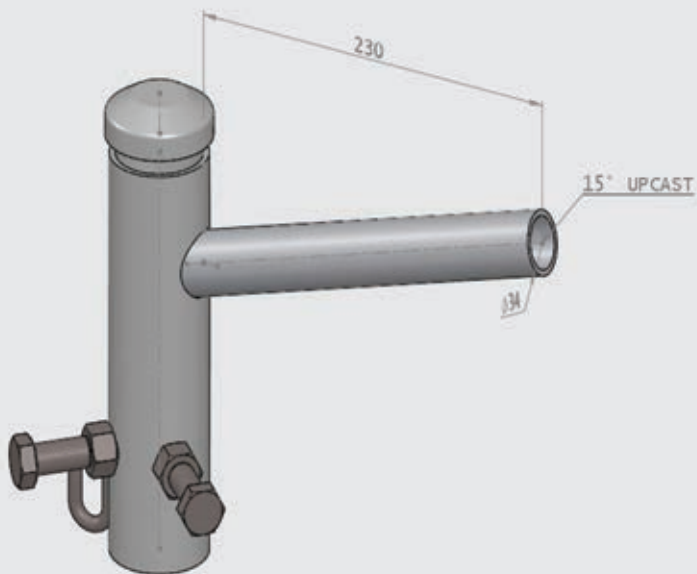
Spigot Adaptor (0° Upcast, 34OD)

XSA-GA5940-86

General Arrangement Drawing Number

Spigot Adaptor (0° Upcast, 34OD)

GA5940



Spigot Adaptor (15° Upcast, 34OD)

Spigot Adaptor (15° Upcast, 34OD)

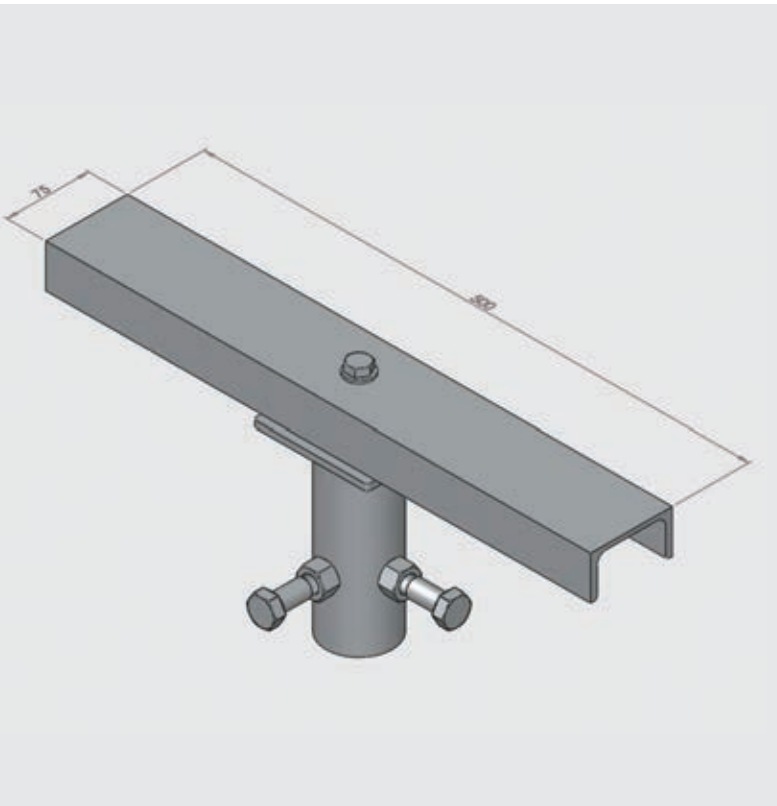
XSA-GA5938-86

General Arrangement Drawing Number

Spigot Adaptor (15° Upcast, 34OD)

GA5938

Outreach Options



Floodlight Mounting Adaptor

Product Code

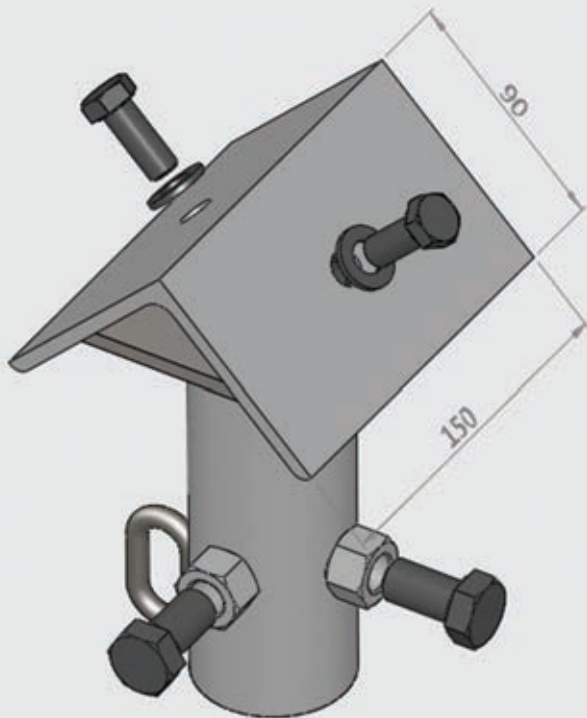
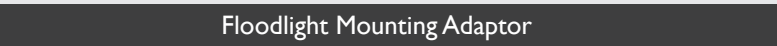
Floodlight Mounting Adaptor

XCP-GA5946-86

General Arrangement Drawing Number

Floodlight Mounting Adaptor

GA5946



XSTA Spigot Adaptor

Product Code

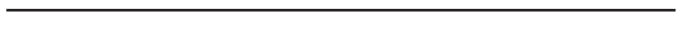
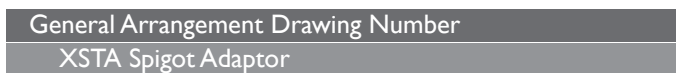
XSTA Spigot Adaptor

XSTA-GA5942-86

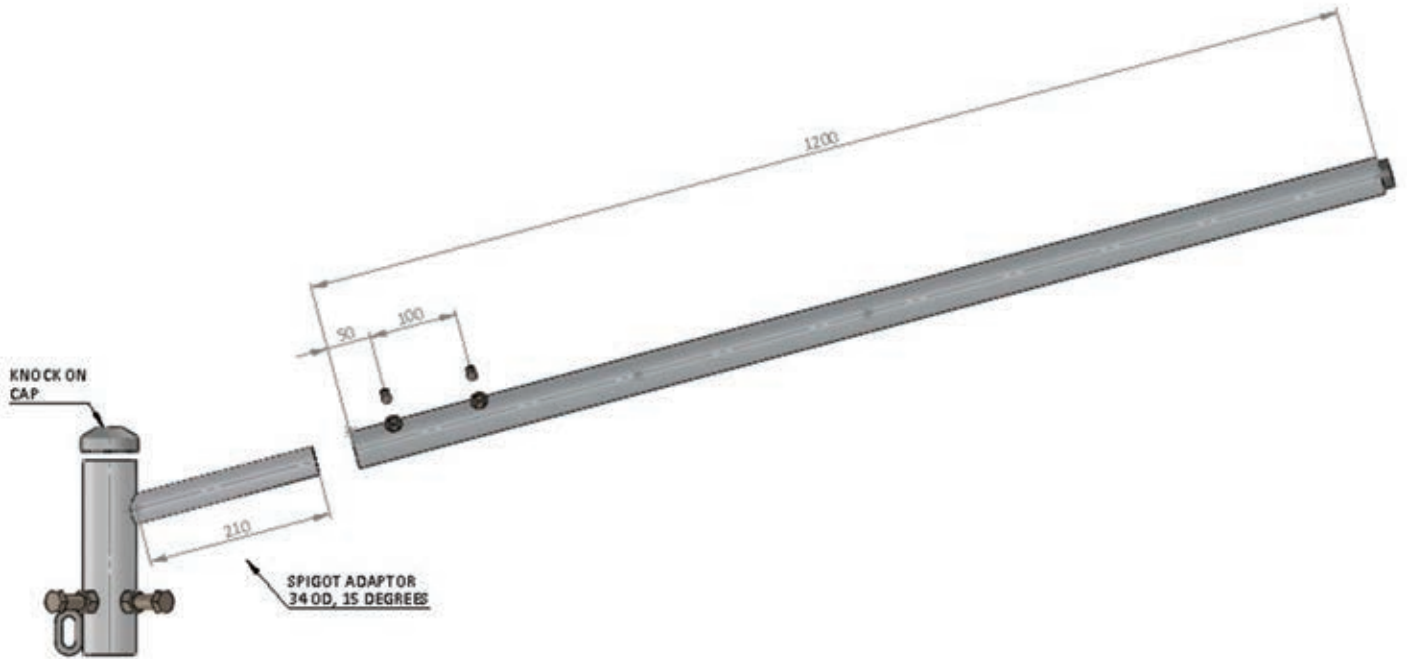
General Arrangement Drawing Number

XSTA Spigot Adaptor

GA5942



Outreach Options



Fluorescent Mounting Adaptor (1200 42OD)

Product Code

Fluorescent Mounting Adaptor - 1200 42OD

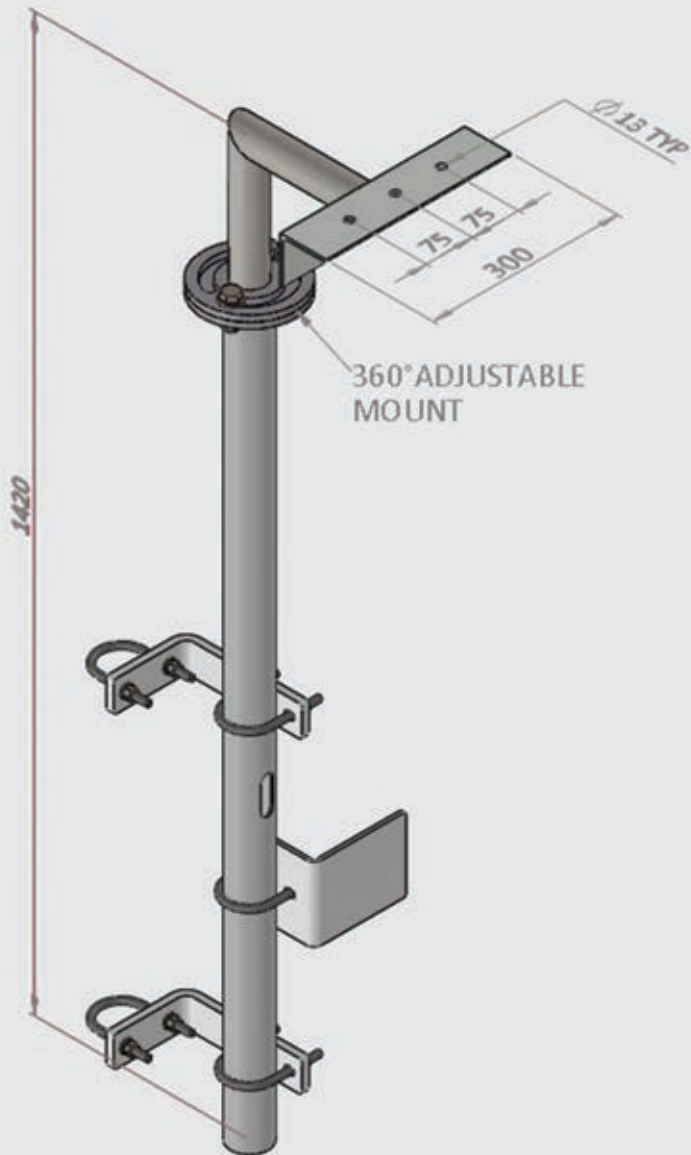
XSA1200-EI31-86

General Arrangement Drawing Number

Fluorescent Mounting Adaptor - 1200 42OD

GA5910

Luminaire Mounting Brackets



Product Code

Floodlight Mounting Bracket (360° Adjustable)

HPI4SW-GA5952-86

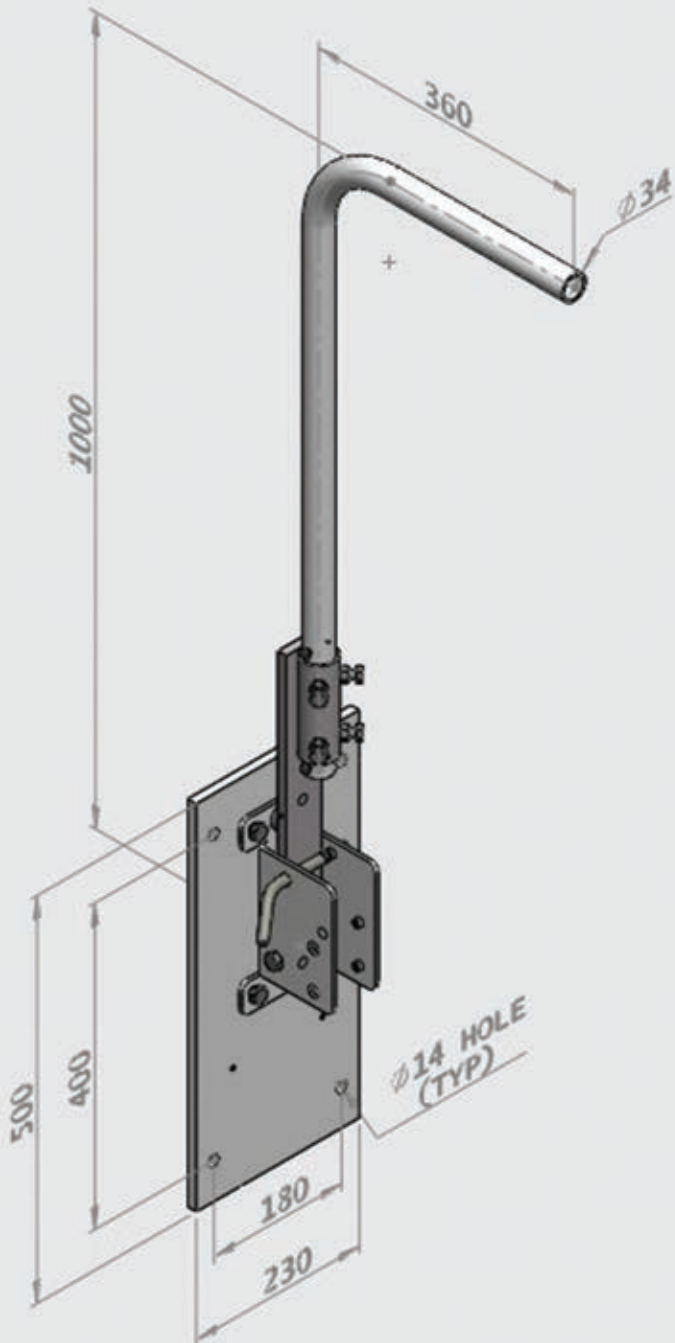
General Arrangement Drawing Number

Floodlight Mounting Bracket (360° Adjustable)

GA5952

Floodlight Mounting Bracket (360° Adjustable)

Luminaire Mounting Brackets

**Product Code**

Column/Wall Mounting Luminaire Bracket

HP927WRS-C098-86

General Arrangement Drawing Number

Column/Wall Mounting Luminaire Bracket

GA51 I2

Column/Wall Mounting Luminaire Bracket





This publication has been prepared by INGAL EPS, a trading division of Industrial Galvanizers Corporation Pty Ltd. ABN 40 000 545 415. Please note that any specifications or technical data referred to in this publication are subject to change and/or variation or improvement without notice and no warranty as to their suitability for any use is made. The views and opinions of third parties published herein are not necessarily the views and opinions of INGAL EPS and no warranty or guarantee is provided in relation to the truth or accuracy for any such content. Users of this publication – to ensure accuracy and adequacy for their purposes – are requested to check the information provided in this publication to satisfy themselves as to its appropriateness and not to rely on the information without first doing so. Unless required by law, the company does not accept any responsibility for any loss, damage or consequence resulting from the use of or reliance upon this publication. This publication is not an offer to trade and shall not form any part of the trading terms in any transaction. INGAL EPS is a registered trademark of Industrial Galvanizers Corporation Pty Ltd. ACN 000 545 415.

>> STREET LIGHTING >> FLOODLIGHTING >>
>> LOWERING SYSTEMS >> SPECIAL APPLICATION >> SERVICES & ACCESSORIES

To view our entire product range, or for the most up to date product information,
please visit our comprehensive on-line catalogue at www.ingaleps.com.au

INGAL **EPS**

A **valmont**  COMPANY

INGAL *EPS*

A **valmont**  COMPANY

ABN 40 000 545 415
FREECALL 1800 623 302

sales@ingaleps.com.au
www.ingaleps.com.au
www.valmont.com

