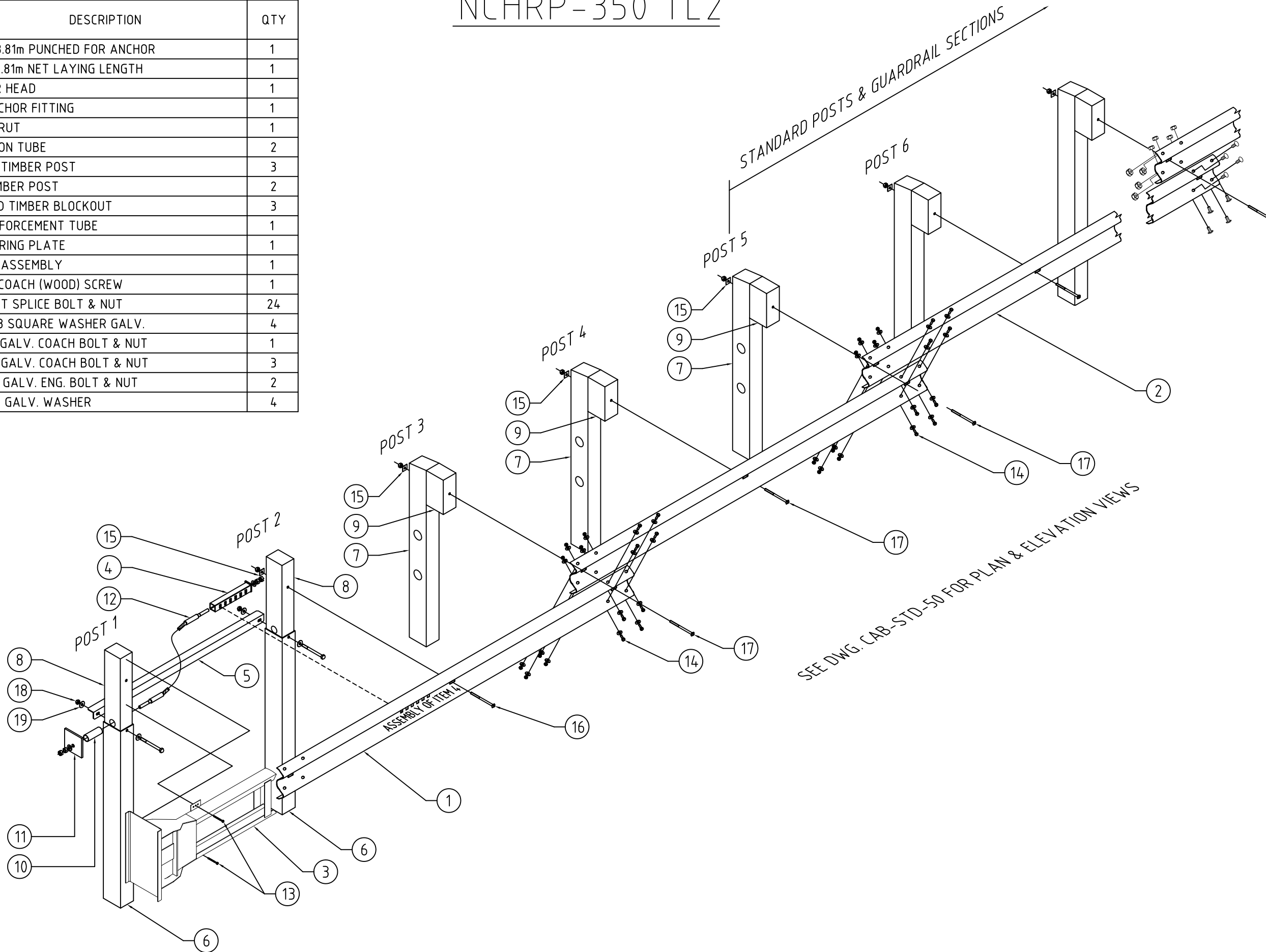


BILL OF MATERIALS

NCHRP-350 TL2

ITEM No.	PART No.	DESCRIPTION	QTY
1	10001416	1ST RAIL 3.81m PUNCHED FOR ANCHOR	1
2	10000985	W-BEAM 3.81m NET LAYING LENGTH	1
3	10001419	EXTRUDER HEAD	1
4	10001422	CABLE ANCHOR FITTING	1
5	10001413	ANGLE STRUT	1
6	10001204	FOUNDATION TUBE	2
7	10005896	CRT LONG TIMBER POST	3
8	10005909	SHORT TIMBER POST	2
9	10005907	STANDARD TIMBER BLOCKOUT	3
10	10000724	HOLE REINFORCEMENT TUBE	1
11	10001218	POST BEARING PLATE	1
12	10000719	2m CABLE ASSEMBLY	1
13	10001220	M10 x 100 COACH (WOOD) SCREW	1
14	10001248	M16 x 32 HT SPLICE BOLT & NUT	24
15	10004528	50 x 50 x 3 SQUARE WASHER GALV.	4
16	10004530	M16 x 260 GALV. COACH BOLT & NUT	1
17	10004527	M16 x 450 GALV. COACH BOLT & NUT	3
18	10001224	M20 x 240 GALV. ENG. BOLT & NUT	2
19	10001280	M20 PLAIN GALV. WASHER	4



REV	DATE	DESCRIPTION	DRAWN	CHECKED	APPROVED
C	09.06.15	BOLT CORRECTION	LG	MS	-
B	31.07.12	REVISED ISSUE	DM	MS	-
A	19.08.02	PROJECT TITLE AMENDED	BF	PP	-
0	04.04.02	INITIAL ISSUE	BF	PP	-

DRAWING NUMBER	REFERENCE DRAWINGS

NAME	DATE
DRAWN: AUSTEC	31.07.2012
CHECKED: M.SEAL	31.07.2012
APPROVED: -	-
SCALE: NTS	-
SIZE: A1	-

INGAL CIVIL PRODUCTS
 40 TIRONUI RD
 TAKANINI, AUCKLAND 2112
 NEW ZEALAND
 PH: 0212 464 997
 sedwards@ingalcivil.co.nz
 www.ingalcivil.com.au

INGAL CIVIL PRODUCTS
 PRODUCT
 TAB TONI

DRAWING AND CONTENTS ARE COPYRIGHT TO
 INGAL CIVIL PRODUCTS AND CAN ONLY BE USED
 WITH PRIOR WRITTEN CONSENT FROM INGAL CIVIL
 PRODUCTS

PROJECT	ET-2000 PLUS TERMINAL NCHRP 350 TEST LEVEL 2 TIMBER POST SYSTEM
TITLE	GUARDRAIL EXTRUDER TERMINAL ISOMETRIC ASSEMBLY DRAWING

INGAL CIVIL PRODUCTS REFERENCE No.	
DRAWING No.	CAB-STD-106