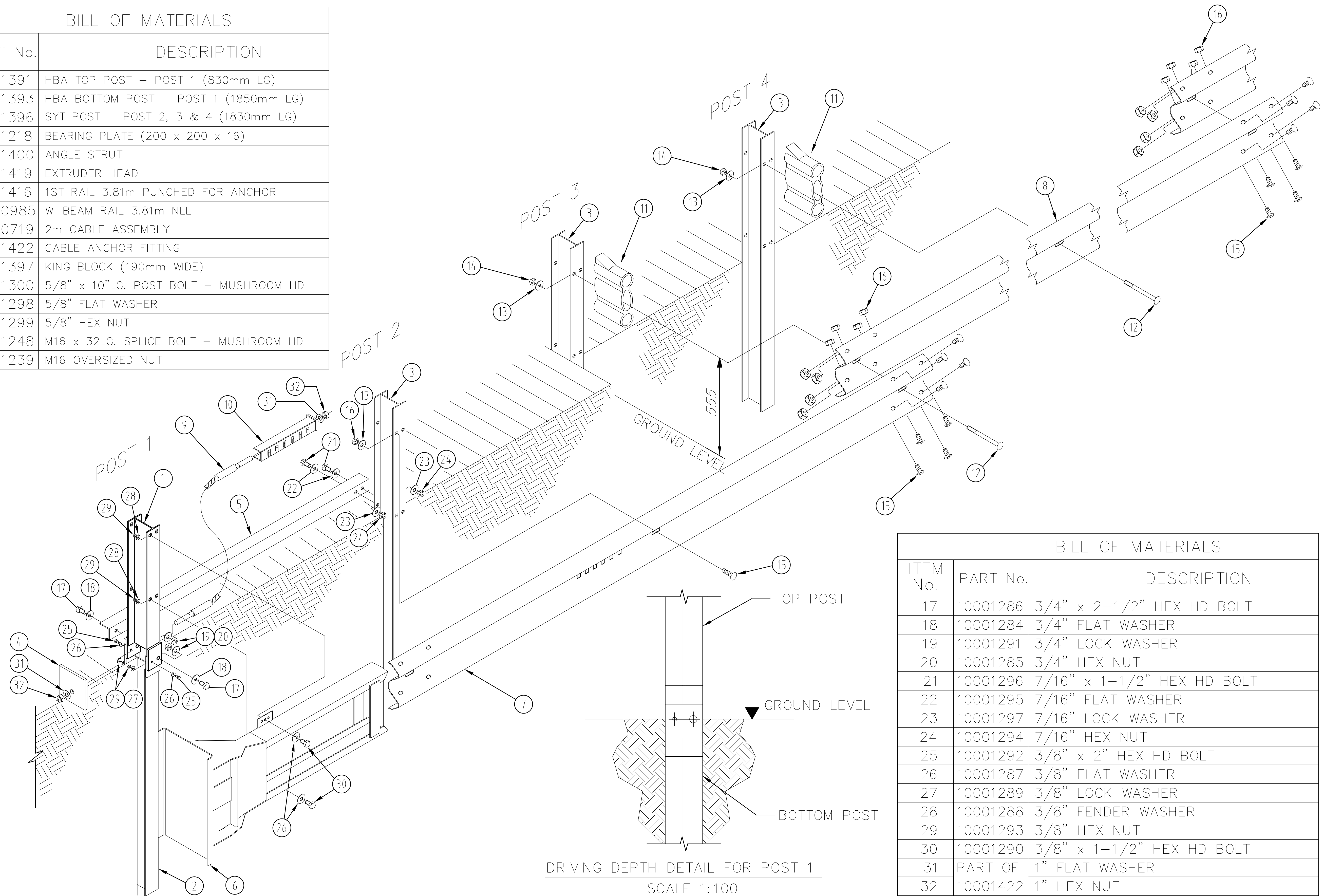


BILL OF MATERIALS		
ITEM No.	PART No.	DESCRIPTION
1	10001391	HBA TOP POST – POST 1 (830mm LG)
2	10001393	HBA BOTTOM POST – POST 1 (1850mm LG)
3	10001396	SYT POST – POST 2, 3 & 4 (1830mm LG)
4	10001218	BEARING PLATE (200 x 200 x 16)
5	10001400	ANGLE STRUT
6	10001419	EXTRUDER HEAD
7	10001416	1ST RAIL 3.81m PUNCHED FOR ANCHOR
8	10000985	W-BEAM RAIL 3.81m NLL
9	10000719	2m CABLE ASSEMBLY
10	10001422	CABLE ANCHOR FITTING
11	10001397	KING BLOCK (190mm WIDE)
12	10001300	5/8" x 10" LG. POST BOLT – MUSHROOM HD
13	10001298	5/8" FLAT WASHER
14	10001299	5/8" HEX NUT
15	10001248	M16 x 32LG. SPLICE BOLT – MUSHROOM HD
16	10001239	M16 OVERSIZED NUT



NOTE:  
RAIL IS NOT BOLTED TO POST 1.

BILL OF MATERIALS		
ITEM No.	PART No.	DESCRIPTION
17	10001286	3/4" x 2-1/2" HEX HD BOLT
18	10001284	3/4" FLAT WASHER
19	10001291	3/4" LOCK WASHER
20	10001285	3/4" HEX NUT
21	10001296	7/16" x 1-1/2" HEX HD BOLT
22	10001295	7/16" FLAT WASHER
23	10001297	7/16" LOCK WASHER
24	10001294	7/16" HEX NUT
25	10001292	3/8" x 2" HEX HD BOLT
26	10001287	3/8" FLAT WASHER
27	10001289	3/8" LOCK WASHER
28	10001288	3/8" FENDER WASHER
29	10001293	3/8" HEX NUT
30	10001290	3/8" x 1-1/2" HEX HD BOLT
31	PART OF	1" FLAT WASHER
32	10001422	1" HEX NUT

REV	DATE	DESCRIPTION	DRAWN	CHECKED	APPROVED
B	11/10/11	TITLE BLOCK UPDATED	DJB	TC	TC
A	24/02/09	TITLE BLOCK UPDATED	MS	TC	TC
0	10/02/04	INITIAL ISSUE	BF	IJ	GPP

DRAWING NUMBER	REFERENCE DRAWINGS

NAME	DATE
DRAWN AUSTEC	11/10/2011
CHECKED TC	11/10/2011
APPROVED TC	11/10/2011
SCALE NTS	
SIZE A1	

**INGAL CIVIL PRODUCTS**  
 57-65 AIRDS ROAD  
 MINTO, N.S.W.  
 AUSTRALIA 2566  
 PH. +61 2 9827 3333  
 FAX +61 2 9827 3300  
 www.ingalcivil.com.au

DRAWING AND CONTENTS ARE COPYRIGHT TO  
 INGAL CIVIL PRODUCTS AND CAN ONLY BE USED  
 WITH PRIOR WRITTEN CONSENT FROM INGAL CIVIL  
 PRODUCTS

PROJECT	TITLE
ET2000 PLUS NCHRP 350 TEST LEVEL 2	ISOMETRIC ASSEMBLY

INGAL CIVIL PRODUCTS REFERENCE No.	DRAWING No.
	CAB-STD-67