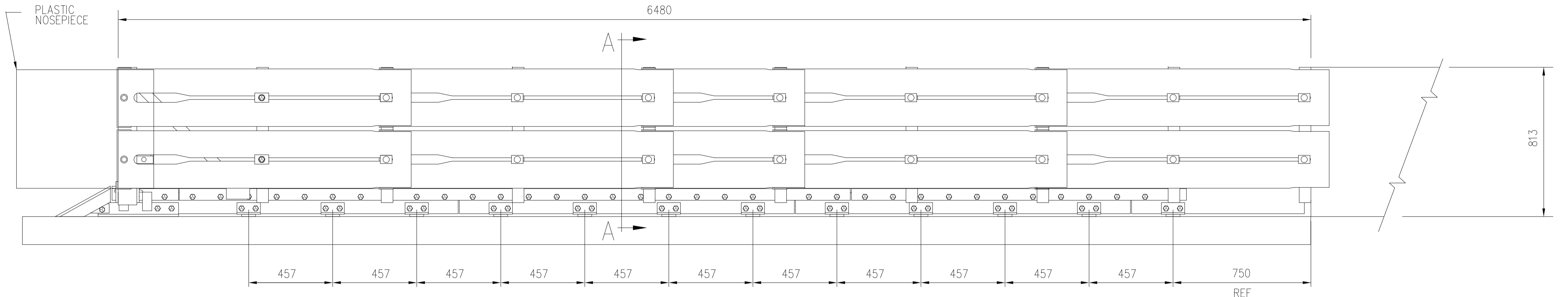
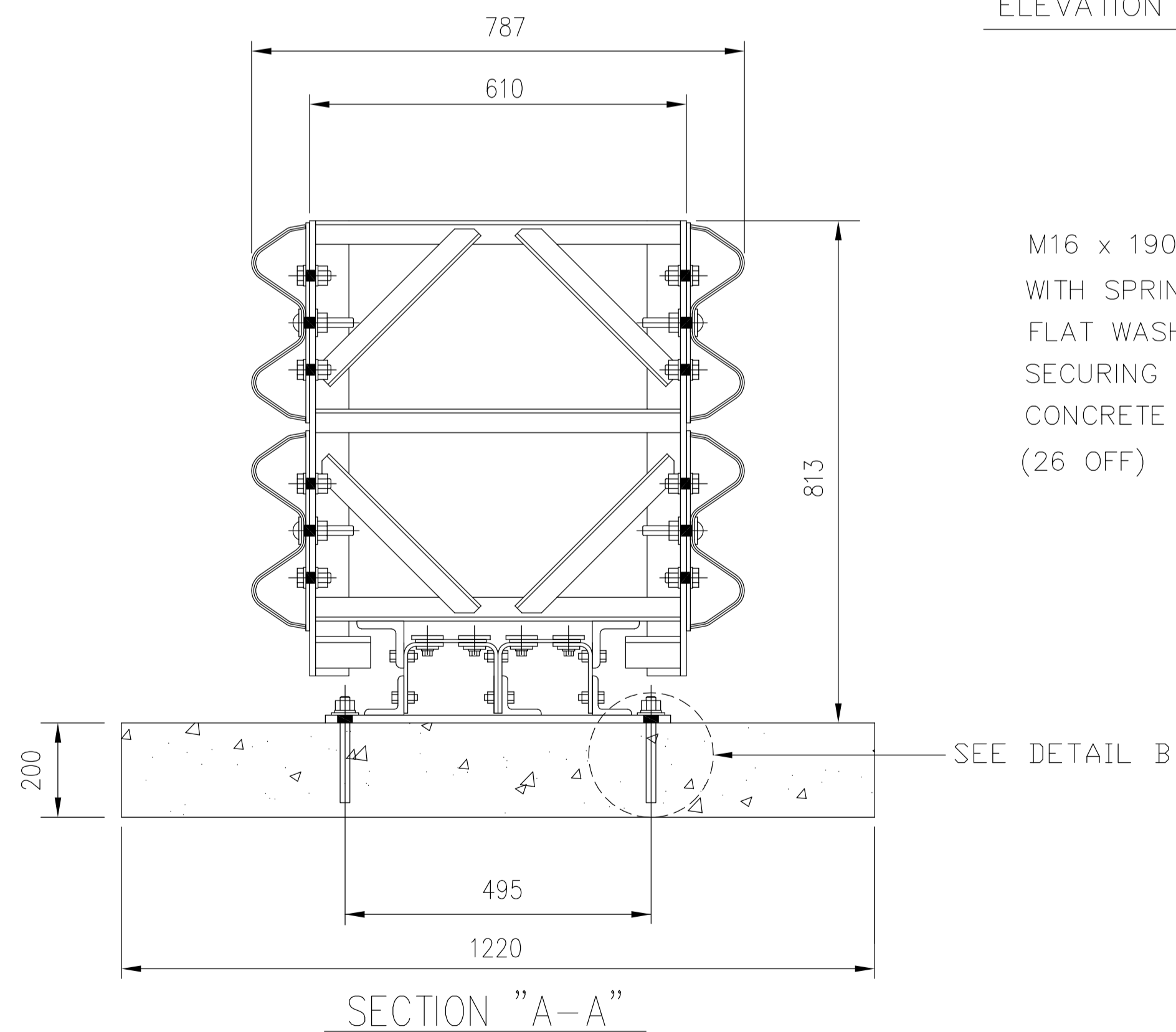


PLAN

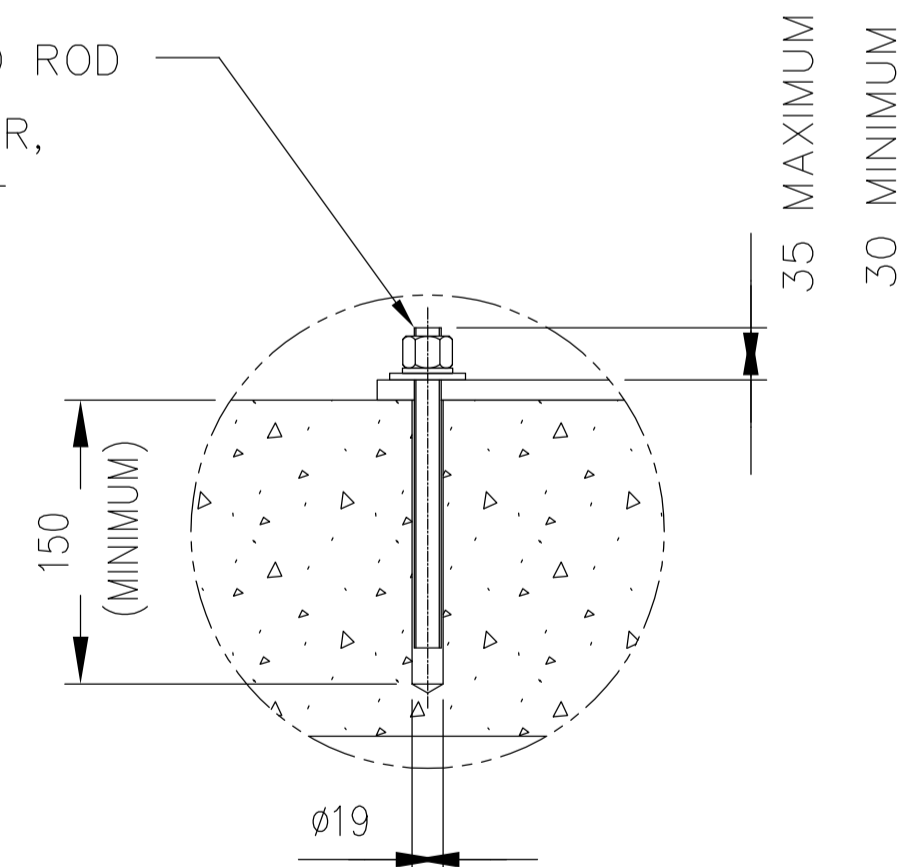


ELEVATION



SECTION "A-A"

M16 x 190 ALL THREADED ROD
WITH SPRING LOCK WASHER,
FLAT WASHER & HEX NUT
SECURING TRACC UNIT TO
CONCRETE PAD.
(26 OFF)



DETAIL B

Notes:

- 200mm UNREINFORCED CONCRETE PAD IS SHOWN. OTHER OPTIONS ARE:
 1. 150mm REINFORCED CONCRETE
 2. 200mm ASPHALT (MIN)
 3. 75mm ASPHALT (MIN) OVER 75mm CONCRETE (MIN)
 4. 150mm ASPHALT (MIN) OVER COMPACTED SUB-BASE
- THIS TRACC CRASH ATTENUATOR HAS BEEN APPROVED BY THE U.S DEPARTMENT OF TRANSPORTATION FEDERAL HIGHWAY ADMINISTRATION AS CONFORMING TO NCHRP 350 TEST LEVEL 3. THIS REPORT HAS BEEN ADOPTED AS THE BASIS OF TESTING FOR AS/NZS 3845-1999 "ROAD SAFETY BARRIER SYSTEMS".
- MATERIAL GALVANISED TO CONFORM TO AS/NZS4680-2006 "HOT-DIP GALVANIZED (ZINC) COATINGS ON FABRICATED FERROUS ARTICLES.

REV	DATE	DESCRIPTION	DRAWN	CHECKED	APPROVED
A	13/10/11	TITLE BLOCK UPDATED	DJB	TC	TC
0	03/08/09	INITIAL ISSUE	MS	TC	TC

DRAWING NUMBER	REFERENCE DRAWINGS

NAME	DATE
DRAWN AUSTEC	13/10/2011
CHECKED TC	13/10/2011
APPROVED TC	13/10/2011
SCALE NTS	
SIZE A1	

INGAL CIVIL PRODUCTS
57-65 AIRDS ROAD
MINTO, N.S.W
AUSTRALIA 2566
PH. +61 2 9827 3333
FAX +61 2 9827 3300
www.ingalcivil.com.au

DRAWING AND CONTENTS ARE COPYRIGHT TO
INGAL CIVIL PRODUCTS AND CAN ONLY BE USED
WITH PRIOR WRITTEN CONSENT FROM INGAL CIVIL
PRODUCTS

PROJECT TL3 TRACC SYSTEM	INGAL CIVIL PRODUCTS REFERENCE No. C3033
TITLE PLAN, ELEVATION & SECTION	DRAWING No. CAB-STD-80