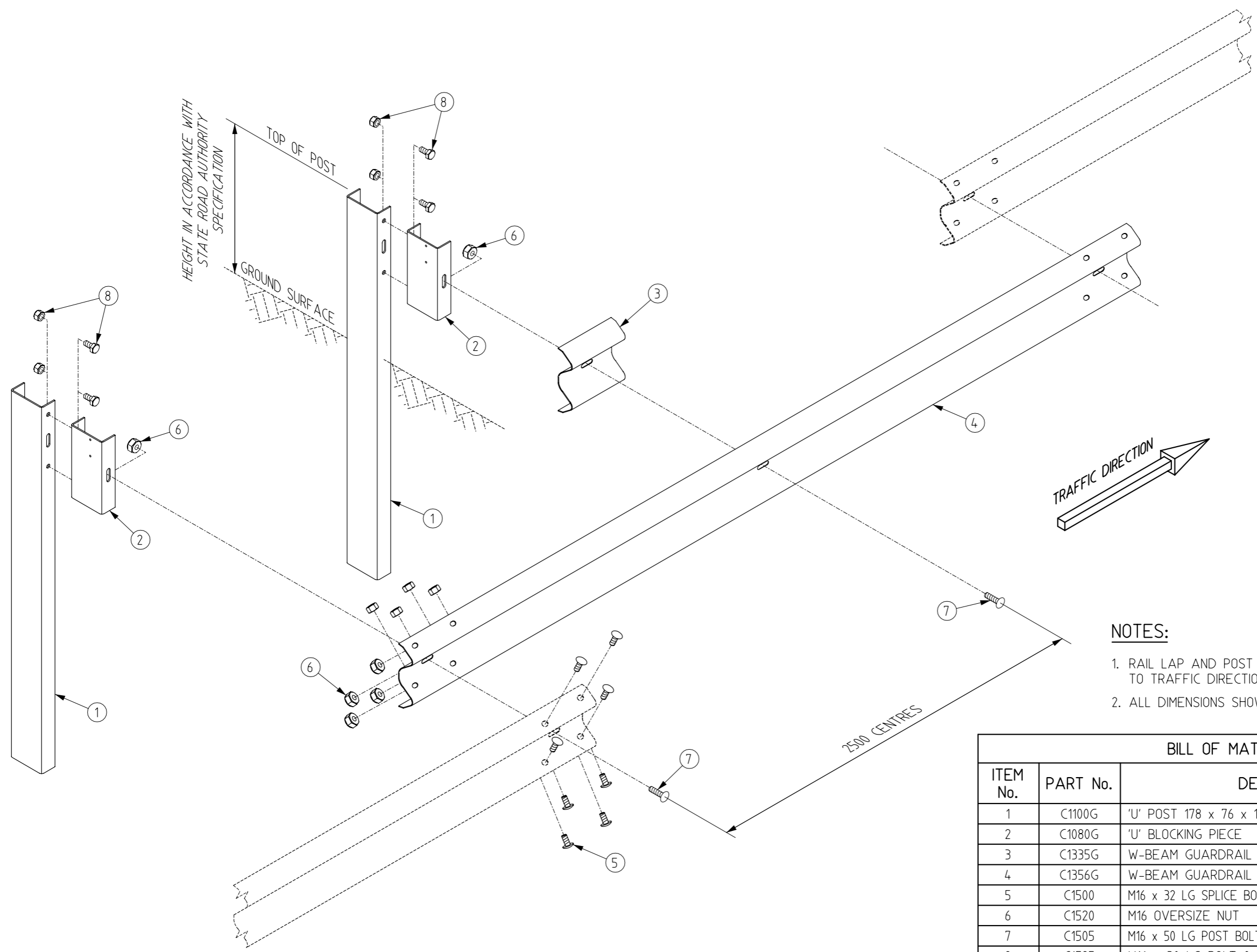


CAD FILE - CABSTD73.DGN 15/11/05



NOTES:

1. RAIL LAP AND POST ORIENTATION IN RELATION TO TRAFFIC DIRECTION AS SHOWN IS ESSENTIAL.
2. ALL DIMENSIONS SHOWN ARE IN MILLIMETRES.

BILL OF MATERIALS			
ITEM No.	PART No.	DESCRIPTION	QTY
1	C1100G	'U' POST 178 x 76 x 1800 LG	2
2	C1080G	'U' BLOCKING PIECE	2
3	C1335G	W-BEAM GUARDRAIL STIFFENER	1
4	C1356G	W-BEAM GUARDRAIL 5m NET LAYING LENGTH	1
5	C1500	M16 x 32 LG SPLICE BOLT - MUSHROOM HD (GRADE 4.6)	8
6	C1520	M16 OVERSIZE NUT	10
7	C1505	M16 x 50 LG POST BOLT - MUSHROOM HD (GRADE 4.6)	2
8	C1525	M16 x 30 LG BOLT & NUT - HEX. HD	4

Rev.	Description	Chkd	Date
0	INITIAL ISSUE	B.F.	15/11/05

INGAL Civil Products
 127-141 Bath Road, Kirrawee, NSW, 2232 Australia
 Telephone 61-2-9710 5555, Facsimile 61-2-9542 3667, Internet www.ingalcivil.com.au
 © Industrial Galvanizers Corporation Pty Ltd ACN 000 545 415 (2005)
 This drawing is the subject of COPYRIGHT. No part of it may be used, reproduced or copied by any means or in any form without the prior permission of the owner.

NSW ACT QLD NT VIC TAS WA SA SNG HK ---

PROJECT VICTORIAN TYPE B GUARDFENCE

TITLE GENERAL ARRANGEMENT

DATE	15/11/05	INGAL CIVIL PRODUCTS REFERENCE No.
DRAWN	B.FREEMAN	
DESIGNED	I.C.P.	DRAWING No. CAB-STD-72 REV.0
CHECKED	T.C.	
MATERIAL	AS SHOWN	
FINISH	H.D.GALV.	
SCALE	N.T.S. (A3)	